

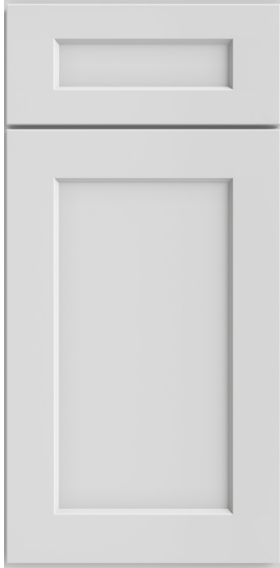


CAPITAL
collection

FRAMED CABINETRY

SHAKER

The **Shaker** door profile offers a five piece door with a mortise and tenon frame featuring a 45° inside bevel & flat recessed center panel.



**WHITE
(SW)**



**ANTIQUE WHITE
(SA)**



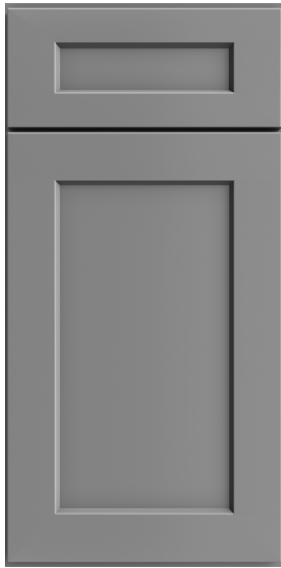
**DOVE
(SD)**

- Framed Cabinet with Full Overlay Doors & Drawers
- Undermount Full Extension Soft-Close Glides
- 6-Way Adjustable Hinges with Soft-Close Feature
- Painted HDF Door
- ½" Plywood Box with UV Coated Matching Exterior
- Glue & Staple or Metal Clip Assembly
- UV Coated Natural Interior

*Specifications subject to change without notice.

SHAKER

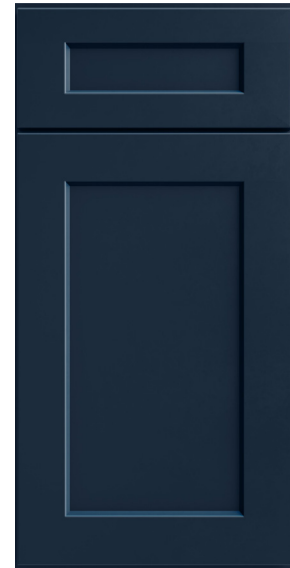
The **Shaker** door profile offers a five piece door with a mortise and tenon frame featuring a 45° inside bevel & flat recessed center panel.



GREY
(SG)



IVY
(SI)



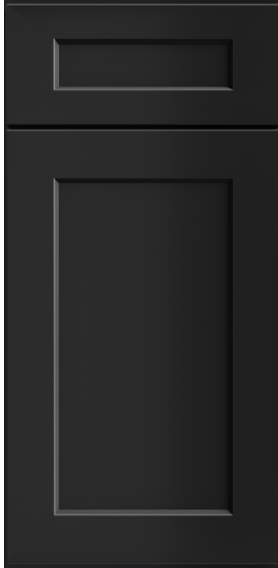
NAVY
(SN)

- Framed Cabinet with Full Overlay Doors & Drawers
- Undermount Full Extension Soft-Close Glides
- 6-Way Adjustable Hinges with Soft-Close Feature
- Painted HDF Door
- ½" Plywood Box with UV Coated Matching Exterior
- Glue & Staple or Metal Clip Assembly
- UV Coated Natural Interior

*Specifications subject to change without notice.

SHAKER

The **Shaker** door profile offers a five piece door with a mortise and tenon frame featuring a 45° inside bevel & flat recessed center panel.



**BLACK
(SB)**



**HONEY
(SH)**



**CINDER
(SC)**

- Framed Cabinet with Full Overlay Doors & Drawers
- Undermount Full Extension Soft-Close Glides
- 6-Way Adjustable Hinges with Soft-Close Feature
- Painted HDF Door **(SB)**
- Stained Solid Birch Frame with Veneered Center Panel **(SH & SC)**
- ½" Plywood Box with UV Coated Matching Exterior
- Glue & Staple or Metal Clip Assembly
- UV Coated Natural Interior

*Specifications subject to change without notice.

SHAKER

The **Shaker** door profile offers a five piece door with a mortise and tenon frame featuring a 45° inside bevel & flat recessed center panel.



UNFINISHED (SU)

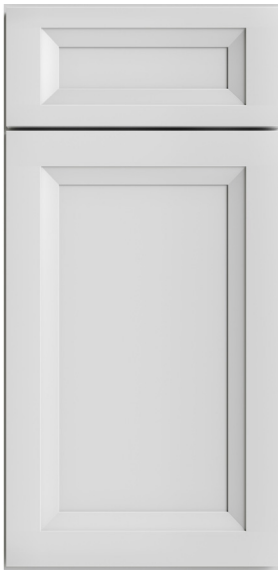
- Framed Cabinet with Full Overlay Doors & Drawers
- Undermount Full Extension Soft-Close Glides
- 6-Way Adjustable Hinges with Soft-Close Feature
- Unfinished Solid Birch Frame with Veneered Center Panel
- 1/2" Plywood Box with Unfinished Matching Exterior
- Glue & Staple or Metal Clip Assembly
- UV Coated Natural Interior*

*Glass door (GD) cabinets will have an unfinished interior.

*Specifications subject to change without notice.

OXFORD

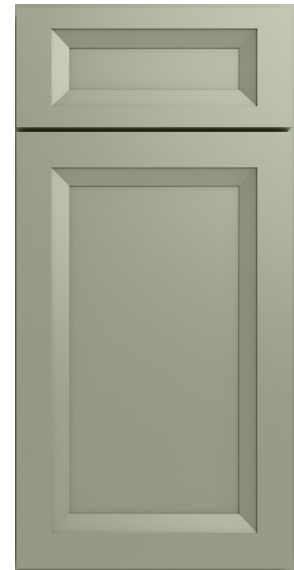
The **Oxford** door profile offers a five piece door with a mortise and tenon frame featuring a wide angled inside bevel & flat recessed center panel.



WHITE
(OW)



CASHMERE
(OC)



SAGE
(OS)

- Framed Cabinet with Full Overlay Doors & Drawers
- Undermount Full Extension Soft-Close Glides
- 6-Way Adjustable Hinges with Soft-Close Feature
- Painted HDF Door
- ½" Plywood Box with UV Coated Matching Exterior
- Glue & Staple or Metal Clip Assembly
- UV Coated Natural Interior

*Specifications subject to change without notice.

OXFORD

The **Oxford** door profile offers a five piece door with a mortise and tenon frame featuring a wide angled inside bevel & flat recessed center panel.



**MIST
(OM)**



**TOFFEE
(OT)**

- Framed Cabinet with Full Overlay Doors & Drawers
- Undermount Full Extension Soft-Close Glides
- 6-Way Adjustable Hinges with Soft-Close Feature
- Stained Solid Birch Frame with Veneered Center Panel
- ½" Plywood Box with UV Coated Matching Exterior
- Glue & Staple or Metal Clip Assembly
- UV Coated Natural Interior

Please Note: Oxford Mist & Toffee are crafted using natural wood, which results in unique variations in grain patterns, color, and texture. These characteristics are enhanced by different cutting methods, grain orientations, and matching techniques, all contributing to the inherent beauty of real wood. The Mist finish, in particular, involves a multi-step process starting with a greige paint on Birchwood, followed by a brushed-on glaze top coat that exposes the natural grain. This process is repeated until the desired shade and quality is achieved. Variations in grain, color, and shading are a natural aspect of both the wood species and the finishing process.

*Specifications subject to change without notice.

HAVEN

The **Haven** door profile offers a five piece door with a mortise and tenon frame featuring a pillowed inside bevel & flat recessed center panel.



**DUNE
(HD)**



**EMBER
(HE)**

- Framed Cabinet with Full Overlay Doors & Drawers
- Undermount Full Extension Soft-Close Glides
- 6-Way Adjustable Hinges with Soft-Close Feature
- Painted HDF Door **(HD)**
- Stained Solid Birch Frame with Veneered Center Panel **(HE)**
- ½" Plywood Box with UV Coated Matching Exterior
- Glue & Staple or Metal Clip Assembly
- UV Coated Natural Interior

*Specifications subject to change without notice.

EDGE LINE

The **Edgeline** door style offers a five piece door with a mortise and tenon frame featuring a contemporary, skinny Shaker profile.



WHITE
(EW)

- Framed Cabinet with Full Overlay Doors & Drawers
- Undermount Full Extension Soft-Close Glides
- 6-Way Adjustable Hinges with Soft-Close Feature
- Painted HDF Door
- ½" Plywood Box with UV Coated Matching Exterior
- Glue & Staple or Metal Clip Assembly
- UV Coated Natural Interior

*Specifications subject to change without notice.

CASSELBERRY

The **Casselberry** door profile offers a five piece door with a mitered frame featuring pillowed bevels, a raised center panel, and hand glazed details throughout.



**ANTIQUE WHITE
(CW)**



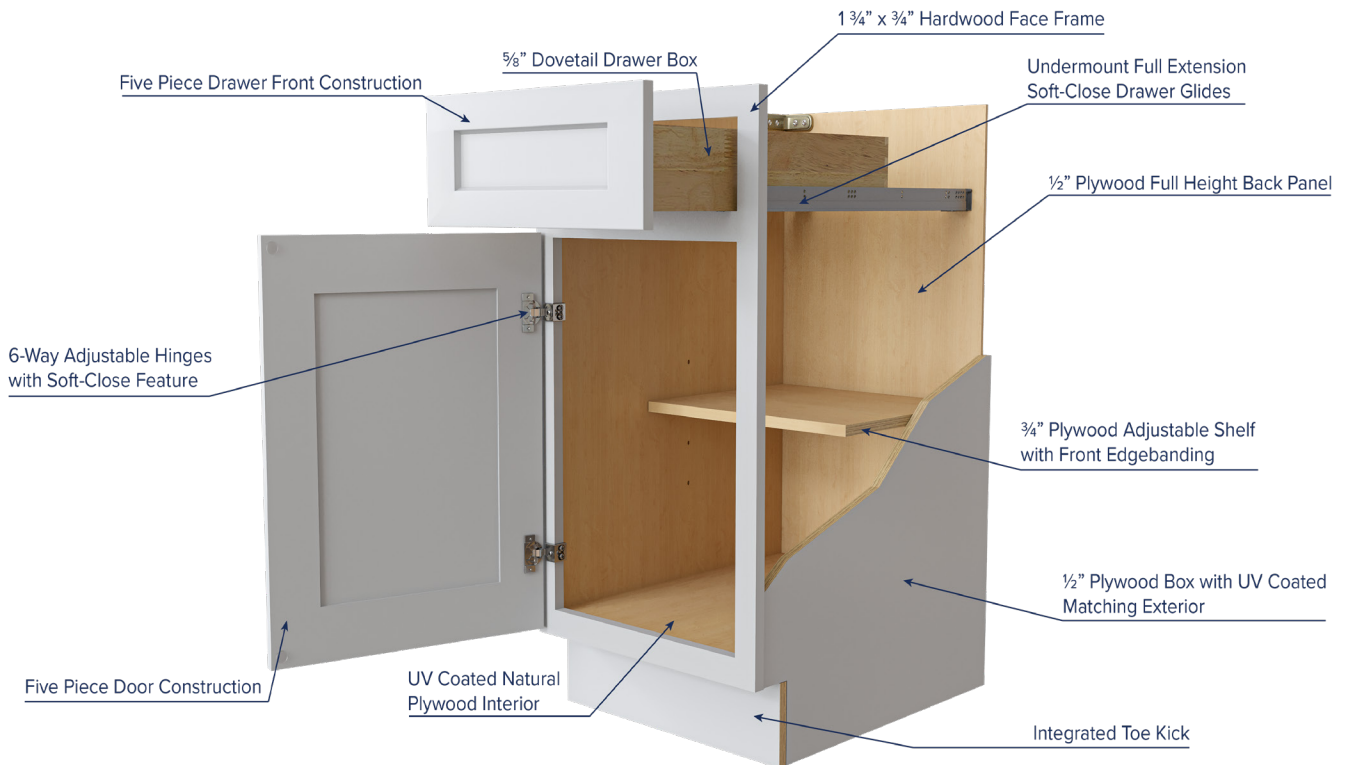
**SADDLE
(CS)**

- Framed Cabinet with Full Overlay Doors & Drawers
- Undermount Full Extension Soft-Close Glides
- 6-Way Adjustable Hinges with Soft-Close Feature
- Painted HDF Door (CW)
- Stained Solid Birch Frame with a Solid Birch Center Panel (CS)
- ½" Plywood Box with UV Coated Matching Exterior
- Glue & Staple or Metal Clip Assembly
- UV Coated Natural Interior

*Specifications subject to change without notice.

CONSTRUCTION SPECIFICATIONS

(*Specifications subject to change without notice)



SHAKER

The **Shaker** door profile offers a five piece door with a mortise and tenon frame featuring a 45° inside bevel & flat recessed center panel.



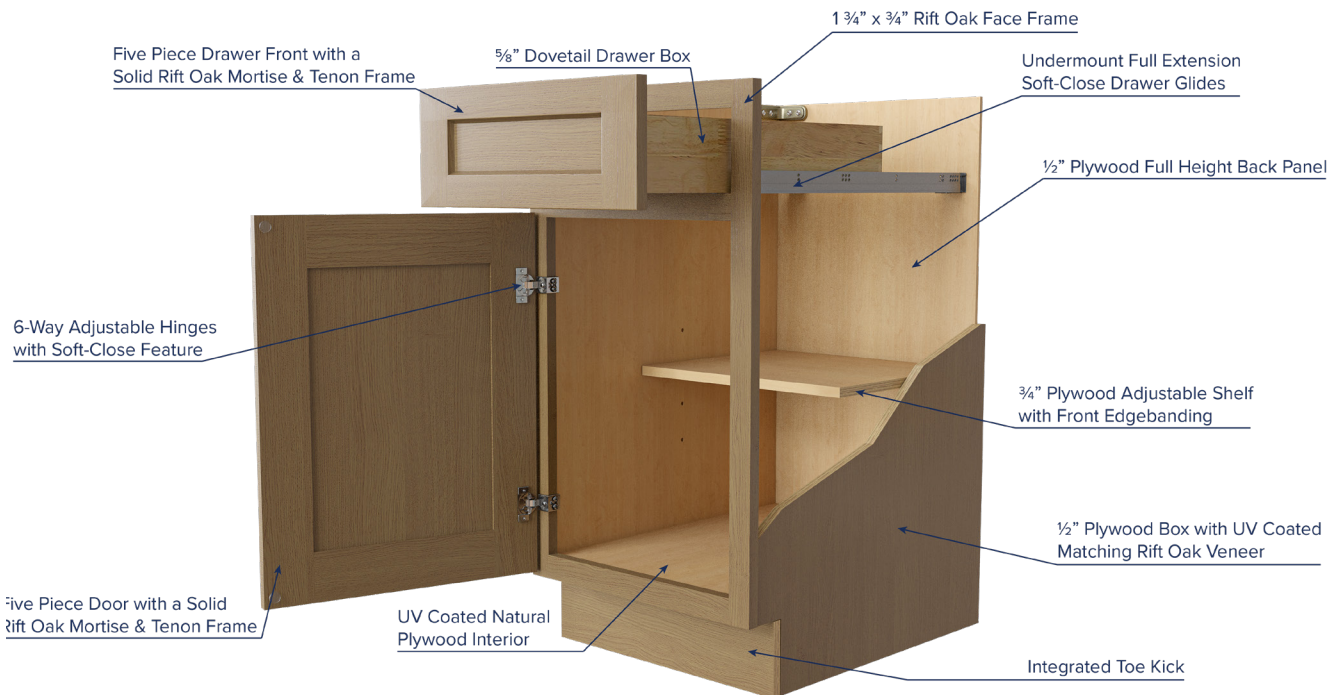
ESSENCE OAK (SEO)

- Framed Cabinet with Full Overlay Doors & Drawers
- Undermount Full Extension Soft-Close Glides
- 6-Way Adjustable Hinges with Soft-Close Feature
- Solid Rift Oak Frame with Veneered Center Panel (SEO)
- ½" Plywood Box with Rift Oak UV Coated Matching Exterior
- Glue & Staple or Metal Clip Assembly
- UV Coated Natural Interior

*Specifications subject to change without notice.

ESSENCE OAK CONSTRUCTION SPECIFICATIONS

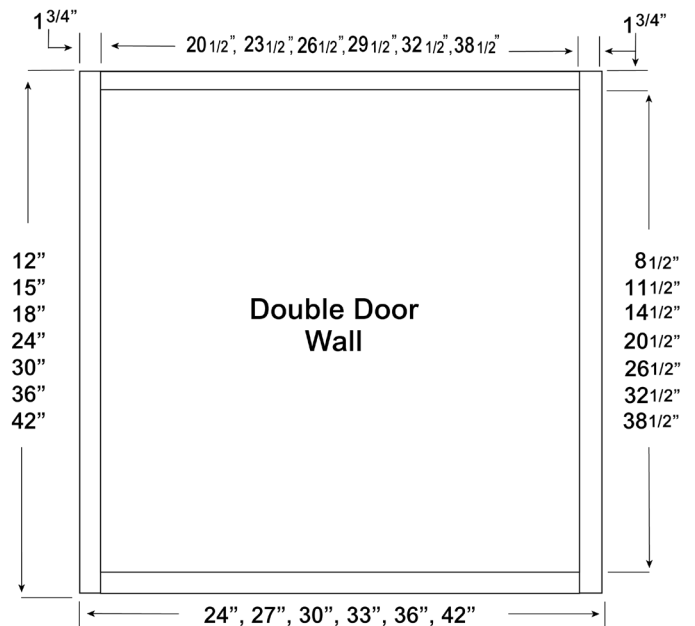
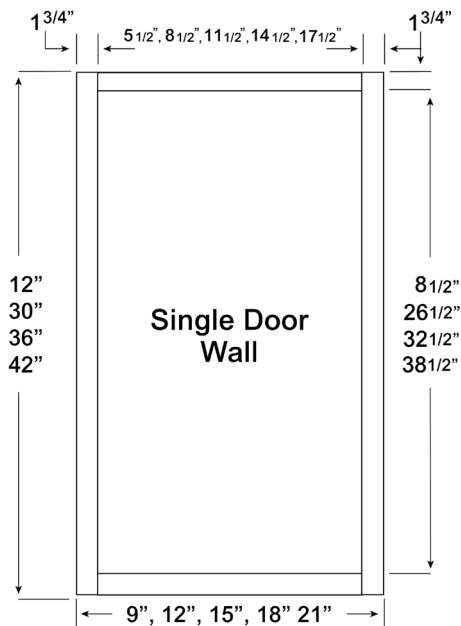
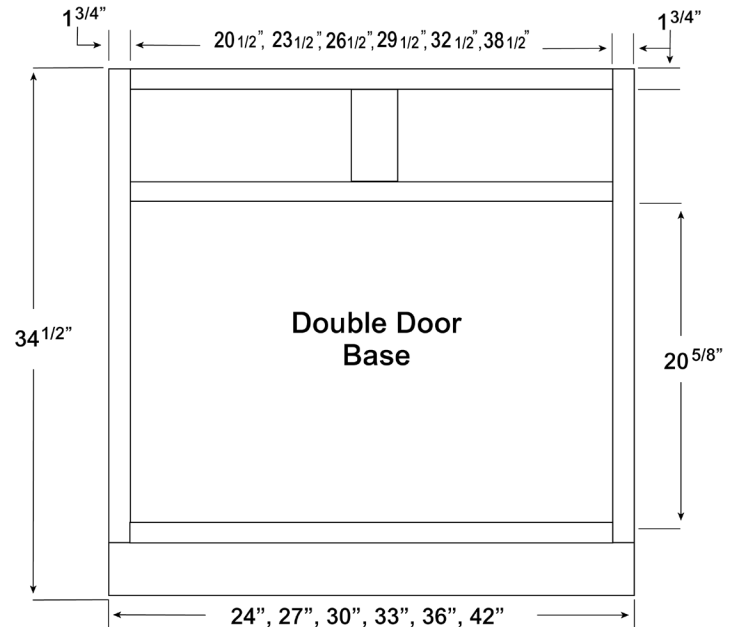
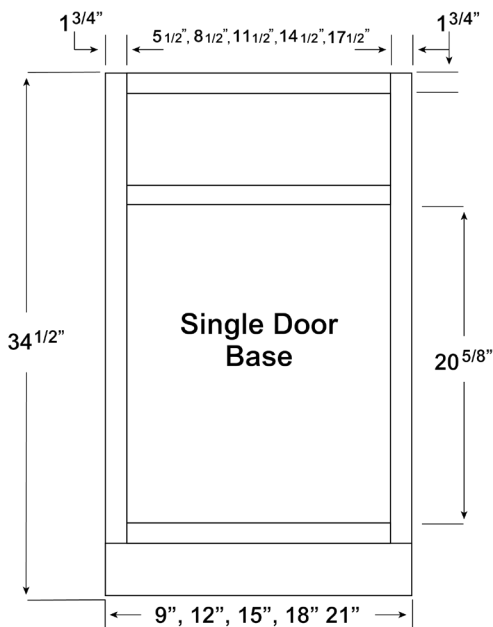
(*Specifications subject to change without notice)



CONSTRUCTION SPECIFICATIONS

CABINET FRAME & OPENING DIMENSIONS - 1 ¾

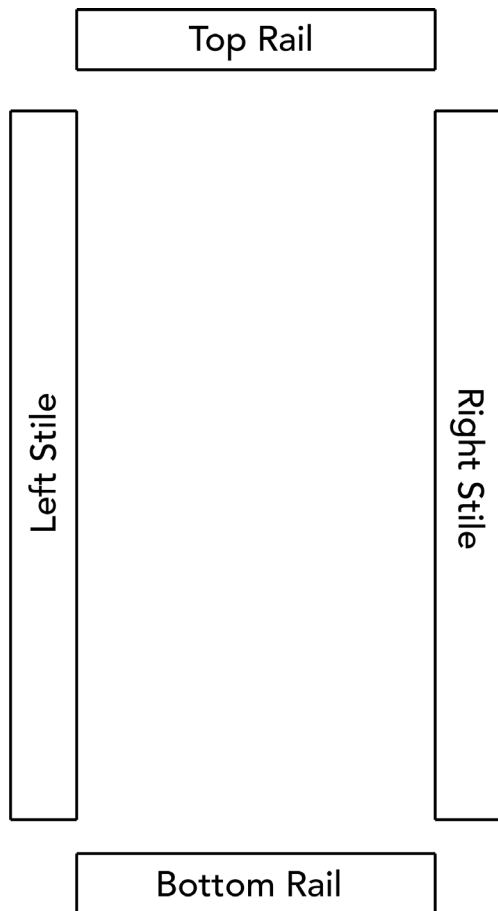
- Height of all base cabinet openings is 20⁵/₈"
- Cabinet Size - 3¹/₂" will give you opening
- Example B30: 30" - 3¹/₂"= 26¹/₂"



GLASSDOOR CUTOUT SPECIFICATIONS

We offer various sized framed wall cabinets that have the doors routed for glass inserts and have an interior matching the cabinet exterior.

While these cabinets do not come equipped with glass or mullions, we have developed an easy to follow formula to help **estimate** the proper sized insert for your door while placing orders.



Height Configuration:

Door Height* - (2 x Door Style Rail Width) + 1½"

Width Configuration:

Door Width* - (2 x Door Style Stile Width) + 1½"

Door Style	Rail Width	Stile Width
Shaker	2¾"	2¾"
Edgeline	2¾"	2¾"
Oxford	2¾"	2¾"
Haven	2¾"	2¾"
Casselberry	3"	3"

*Door height and width information is located in the Specification Manual.

DISCLAIMER: This formula is to be used as an estimation tool only.

We recommend that physical measurements are taken prior to ordering your inserts. We cannot guarantee the exact dimensions determined when using the formula provided.

Base Cabinet

Tray Base.....	2
Full Height Door Bases	2-3
Door/Drawer Bases	3-6
Sink Bases	7-8
Drawer Bases.....	9-11
Corner Bases	12-13
Blind Bases.....	14
Accessory Bases.....	15-27
Specialty Bases	27-28

Wall Cabinets

30" H Wall Cabinets.....	29
36" H Wall Cabinets.....	30
42" H Wall Cabinets.....	31
Corner Wall Cabinets.....	32
Blind Cabinets	33
Bridge Cabinets.....	33-34
Refrigerator Wall Cabinets	35-36
Glass Door Cabinets.....	36-40
Specialty Wall Cabinet	40-42

Tall Cabinets

Utility Cabinets	43
Oven Cabinets	44
Utility Accessory Cabinets	44-45

Vanities

Vanity Sink Bases	46-47
Vanity Drawer Bases.....	48
Vanity Combo Bases	49-50
Specialty Vanities	51

Moulding & Trim	52-54
----------------------------------	-----------------------

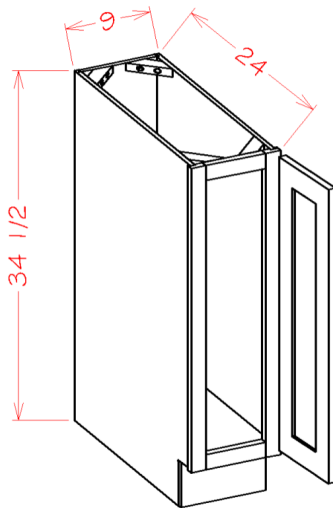
Fillers & Panels	55-58
-----------------------------------	-----------------------

Accessories	59-60
--------------------------	-----------------------

Notes	61-62
--------------------	-----------------------

PRODUCT SPECIFICATIONS

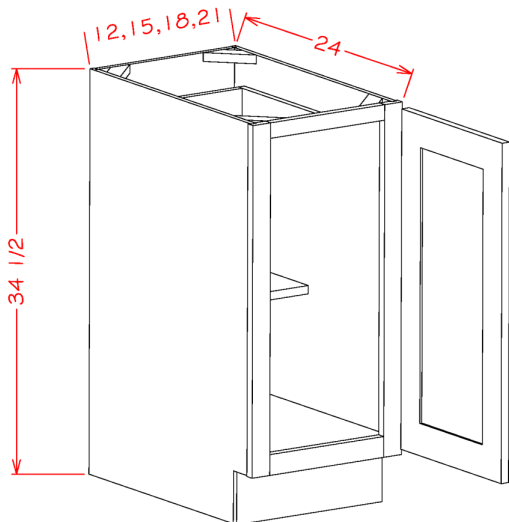
Tray Base



Model	Description	Width	Height	Depth
BT9	Cabinet Dimensions	9	34½	24
	Door Dimensions	8½	29	¾

2

Full Height Single Door Bases

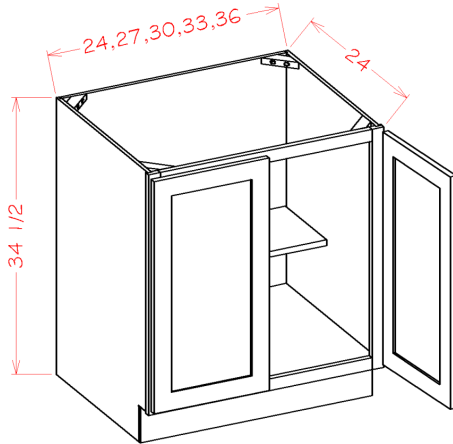


Model	Description	Width	Height	Depth
B12FH	Cabinet Dimensions	12	34½	24
	Door Dimensions	11½	29	¾
B15FH	Cabinet Dimensions	15	34½	24
	Door Dimensions	14½	29	¾
B18FH	Cabinet Dimensions	18	34½	24
	Door Dimensions	17½	29	¾
B21FH	Cabinet Dimensions	21	34½	24
	Door Dimensions	20½	29	¾

- Two boxes will be received when ordering this cabinet kit flat pack

PRODUCT SPECIFICATIONS

Full Height Double Door Bases

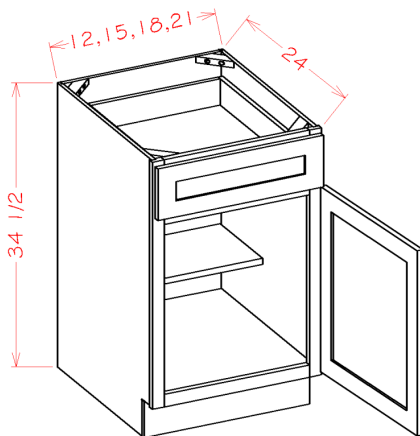


Model	Description	Width	Height	Depth
B24FH	Cabinet Dimensions	24	34½	24
	Door Dimensions	11¾	29	¾
B27FH	Cabinet Dimensions	27	34½	24
	Door Dimensions	13¾	29	¾
B30FH	Cabinet Dimensions	30	34½	24
	Door Dimensions	14¾	29	¾
B33FH	Cabinet Dimensions	33	34½	24
	Door Dimensions	16¾	29	¾
B36FH	Cabinet Dimensions	36	34½	24
	Door Dimensions	17¾	29	¾

- Two boxes will be received when ordering this cabinet kit flat pack

3

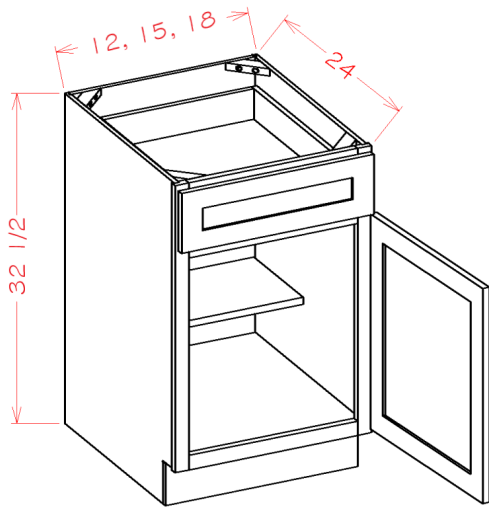
Single Door Single Drawer Bases



Model	Description	Width	Height	Depth
B12	Cabinet Dimensions	12	34½	24
	Door Dimensions	11½	22½	¾
	Drawer Front	11½	6¼	¾
	Drawer Box	8	3¼	20⅜
B15	Cabinet Dimensions	15	34½	24
	Door Dimensions	14½	22½	¾
	Drawer Front	14½	6¼	¾
	Drawer Box	11	3¼	20⅜
B18	Cabinet Dimensions	18	34½	24
	Door Dimensions	17½	22½	¾
	Drawer Front	17½	6¼	24
	Drawer Box	14	3¼	20⅜
B21	Cabinet Dimensions	21	34½	24
	Door Dimensions	20½	22½	¾
	Drawer Front	20½	6¼	¾
	Drawer Box	17	3¼	20⅜

PRODUCT SPECIFICATIONS

Single Door Single Drawer ADA Base Cabinets



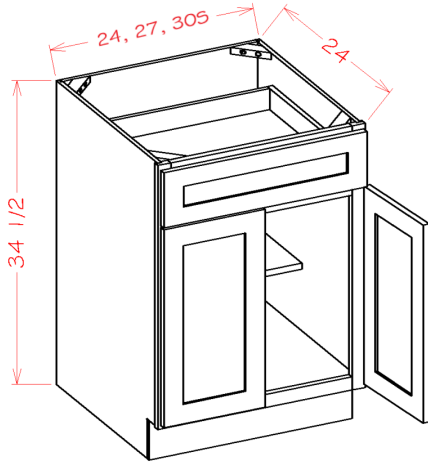
Model	Description	Width	Height	Depth
B12ADA*	Cabinet Dimensions	12	32½	24
	Door Dimensions	11½	20½	¾
	Drawer Front	11½	6¼	¾
	Drawer Box	8	¾	20¾
B15ADA*	Cabinet Dimensions	15	32½	24
	Door Dimensions	14½	20½	¾
	Drawer Front	14½	6¼	¾
	Drawer Box	11	¾	20¾
B18ADA*	Cabinet Dimensions	18	32½	24
	Door Dimensions	17½	20½	¾
	Drawer Front	17½	6¼	¾
	Drawer Box	14	¾	20¾

* Available in Shaker White (SW) only



PRODUCT SPECIFICATIONS

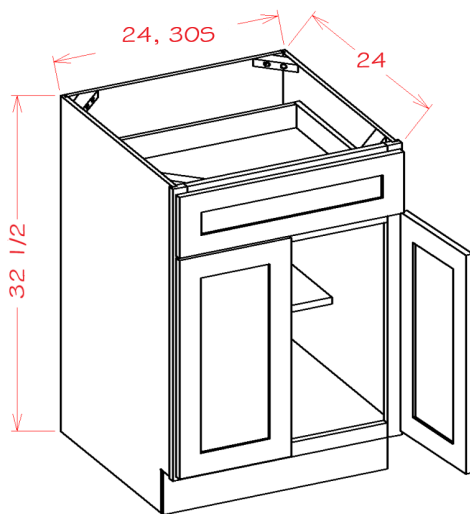
Double Door Single Drawer Bases



Model	Description	Width	Height	Depth
B24	Cabinet Dimensions	24	34½	24
	Door Dimensions	11¾	22½	¾
	Drawer Front	23½	6¼	¾
	Drawer Box	20	3¼	20¾
B27	Cabinet Dimensions	27	34½	24
	Door Dimensions	13¾	22½	¾
	Drawer Front	26½	6¼	¾
	Drawer Box	23	3¼	20¾
B30S	Cabinet Dimensions	30	34½	24
	Door Dimensions	14¾	22½	¾
	Drawer Front	29½	6¼	¾
	Drawer Box	26	3¼	20¾

5

Double Door Single Drawer ADA Base Cabinets



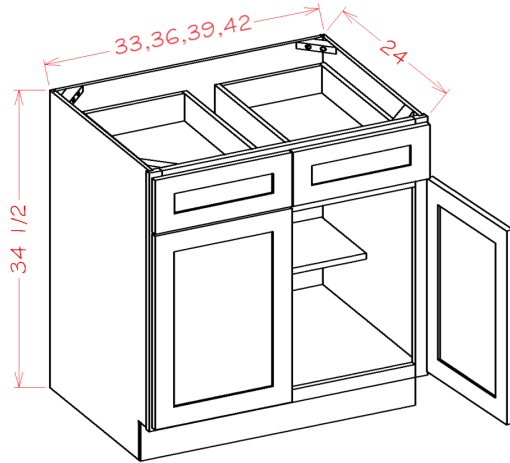
Model	Description	Width	Height	Depth
B24ADA*	Cabinet Dimensions	24	32½	24
	Door Dimensions	11¾	20½	¾
	Drawer Front	23½	6¼	¾
	Drawer Box	20	3¼	20¾
B30SADA*	Cabinet Dimensions	30	32½	24
	Door Dimensions	14¾	20½	¾
	Drawer Front	29½	6¼	¾
	Drawer Box	26	3¼	20¾

* Available in Shaker White (SW) only



PRODUCT SPECIFICATIONS

Double Door Double Drawer Bases

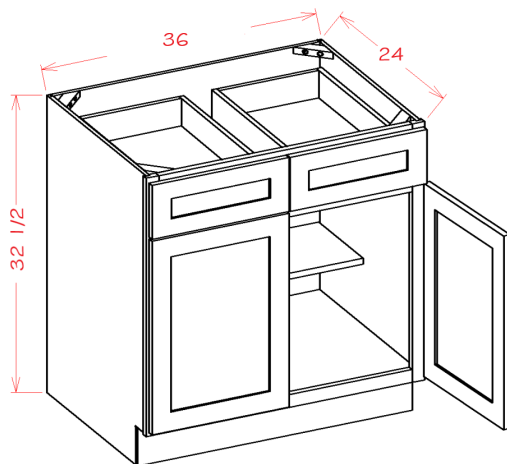


Model	Description	Width	Height	Depth
B33	Cabinet Dimensions	33	34½	24
	Door Dimensions	16¼	22½	¾
	Drawer Front	16¼	6¼	¾
	Drawer Box	13½	3¼	20¾
B36	Cabinet Dimensions	36	34½	24
	Door Dimensions	17¾	22½	¾
	Drawer Front	17¾	6¼	¾
	Drawer Box	15	3¼	20¾
B39*	Cabinet Dimensions	39	34½	24
	Door Dimensions	19¼	22½	¾
	Drawer Front	19¼	6¼	¾
	Drawer Box	17	3¼	20¾
B42	Cabinet Dimensions	42	34½	24
	Door Dimension	20¾	22½	¾
	Drawer Front	20¾	6¼	¾
	Drawer Box	18	3¼	20¾

*B39 available in Shaker White (SW) only

6

Double Door Double Drawer ADA Base Cabinet



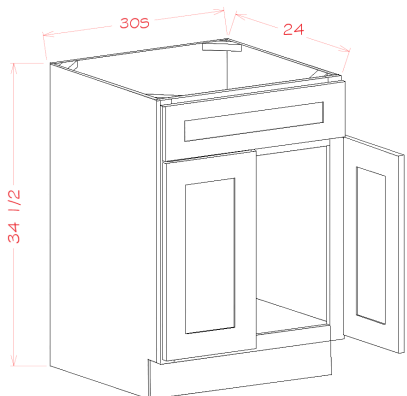
Model	Description	Width	Height	Depth
B36ADA*	Cabinet Dimensions	36	32½	24
	Door Dimensions	17¾	20½	¾
	Drawer Front	17¾	6¼	¾
	Drawer Box	15	3¼	20¾

* Available in Shaker White (SW) only



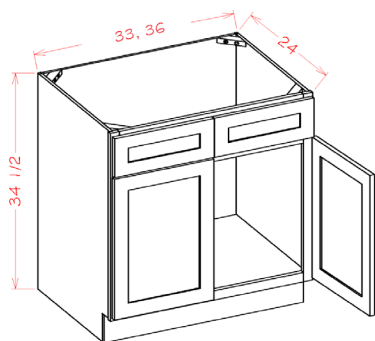
PRODUCT SPECIFICATIONS

Sink Bases - Double Door Single False Drawer Front



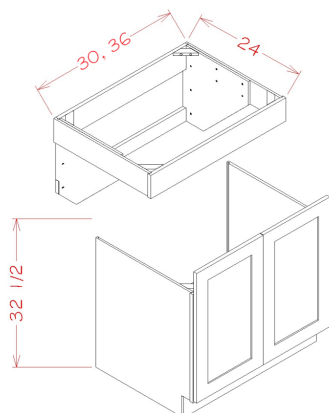
Model	Description	Width	Height	Depth
SB30S	Cabinet Dimensions	30	34½	24
	Door Dimensions	14¾	22½	¾
	Drawer Front	29½	6¼	¾

Sink Bases - Double Door Double False Drawer Front



Model	Description	Width	Height	Depth
SB33	Cabinet Dimensions	33	34½	24
	Door Dimensions	16¼	22½	¾
	Drawer Front	16¼	6¼	¾
SB36	Cabinet Dimensions	36	34½	24
	Door Dimensions	17¾	22½	¾
	Drawer Front	17¾	6¼	¾

ADA Sink Base Cabinets



Model	Description	Width	Height	Depth
SB30SADA*	Cabinet Dimensions	30	32½	24
	Door Dimensions	14¾	22½	¾
SB36ADA*	Cabinet Dimensions	36	32½	24
	Door Dimensions	17¾	22½	¾

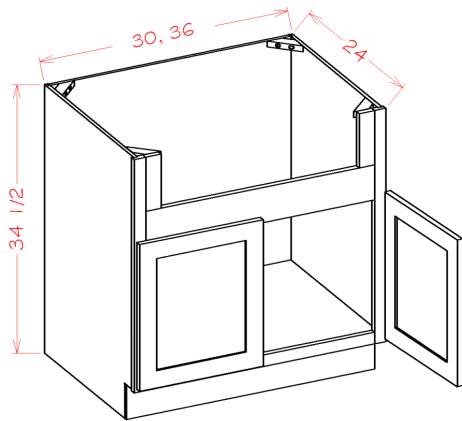
* Available in Shaker White (SW) only

- The SB30SADA and SB36ADA feature a two-piece configuration, allowing installation as a complete unit or without the base to accommodate wheelchair accessibility.
- The false drawer front is constructed as a single slab.



PRODUCT SPECIFICATIONS

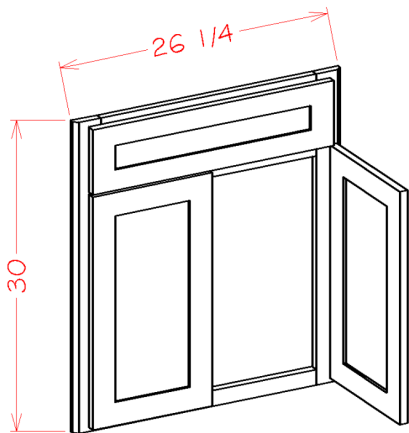
Sink Bases - Farm Sink



Model	Description	Width	Height	Depth
FSB30	Cabinet Dimensions	30	34½	24
	Sink Cutout Dimensions	23	7	–
	Door Dimensions	14¾	19	¾
FSB36	Cabinet Dimensions	36	34½	24
	Sink Cutout Dimensions	29	7	–
	Door Dimension	17¾	19	¾

- FSB30 fits up to a 27"W x 10"H farm sink
- FSB36 fits up to a 33"W x 10"H farm sink

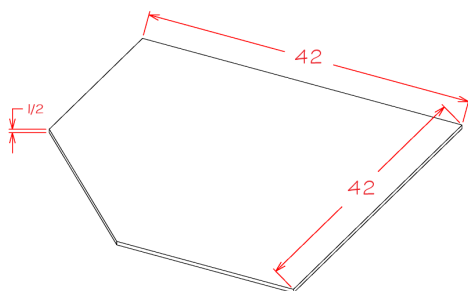
Sink Bases - Diagonal Sink Front



Model	Description	Width	Height	Depth
DCSF42	Cabinet Dimensions	26¼	30	¾
	Door Dimensions	11¾	22½	¾

- DCSF42 to be used in conjunction with SBF4242
- Available as a kit item SKU: DCFF42
- Toe Kick Not Included

Sink Bases - Diagonal Sink Floor

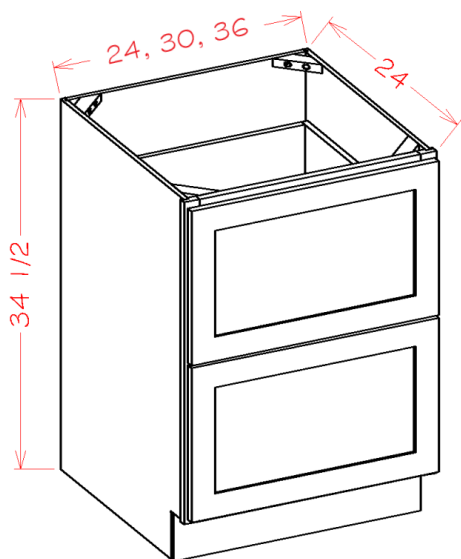


Model	Description	Width	Height	Depth
SBF4242	Door Dimensions	42	22½	42

- Sink Floor Only
- SBF4242 to be used in conjunction with DCSF42
- Matches Natural Interior

PRODUCT SPECIFICATIONS

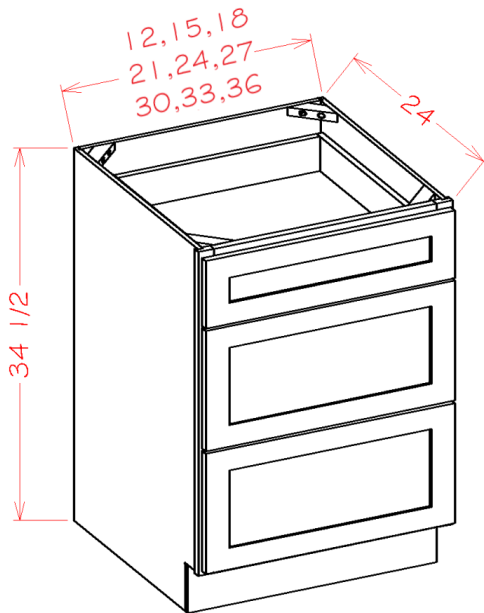
Two Drawer Bases



Model	Description	Width	Height	Depth
2DB24	Cabinet Dimensions	24	34½	24
	Drawer Front	23½	14½	¾
	Drawer Box	20	8¼	20¾
2DB30	Cabinet Dimensions	30	34½	24
	Drawer Front	29½	14½	¾
	Drawer Box	26	8¼	20¾
2DB36	Cabinet Dimensions	36	34½	24
	Drawer Front	35½	14½	¾
	Drawer Box	32	8¼	20¾

PRODUCT SPECIFICATIONS

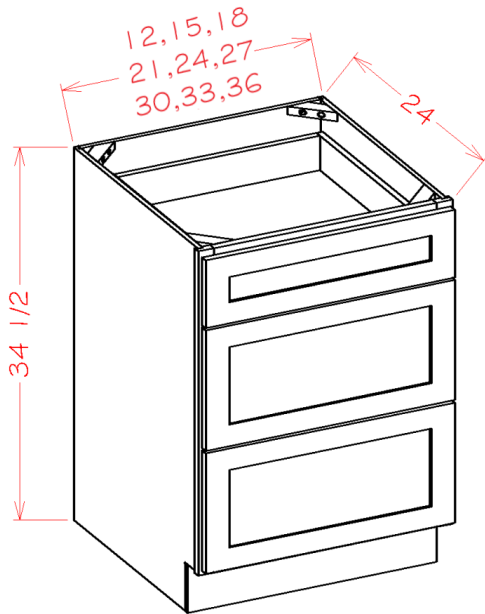
Three Drawer Bases



Model	Description	Width	Height	Depth
3DB12	Cabinet Dimensions	12	34½	24
	Top Drawer Front	11½	6¼	¾
	Bot/Mid Drawer Front	11½	11⅛	¾
	Top Drawer Box	8	3⅜	20⅜
	Bottom Drawer Box	8	8¼	20⅜
3DB15	Cabinet Dimensions	15	34½	24
	Top Drawer Front	14½	6¼	¾
	Bot/Mid Drawer Front	14½	11⅛	¾
	Top Drawer Box	11	3⅜	20⅜
	Bottom Drawer Box	11	8¼	20⅜
3DB18	Cabinet Dimensions	18	34½	24
	Top Drawer Front	17½	6¼	¾
	Bot/Mid Drawer Front	17½	11⅛	¾
	Top Drawer Box	14	3⅜	20⅜
	Bottom Drawer Box	14	8¼	20⅜
3DB21	Cabinet Dimensions	21	34½	24
	Top Drawer Front	20½	6¼	¾
	Bot/Mid Drawer Front	20½	11⅛	¾
	Top Drawer Box	17½	3⅜	20⅜
	Bottom Drawer Box	17½	8¼	20⅜
3DB24	Cabinet Dimensions	24	34½	24
	Top Drawer Front	23½	6¼	¾
	Bot/Mid Drawer Front	23½	11⅛	¾
	Top Drawer Box	20	3⅜	20⅜
	Bottom Drawer Box	20	8¼	20⅜
3DB27	Cabinet Dimensions	27	34½	24
	Top Drawer Front	26½	6¼	¾
	Bot/Mid Drawer Front	26½	11⅛	¾
	Top Drawer Box	23	3⅜	20⅜
	Bottom Drawer Box	23	8¼	20⅜
3DB30	Cabinet Dimensions	30	34½	24
	Top Drawer Front	29½	6¼	¾
	Bot/Mid Drawer Front	29½	11⅛	¾
	Top Drawer Box	26	3⅜	20⅜
	Bottom Drawer Box	26	8¼	20⅜

PRODUCT SPECIFICATIONS

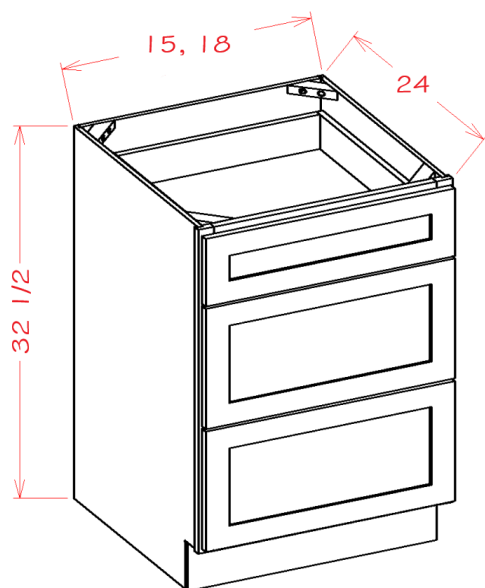
Three Drawer Bases (Continued)



Model	Description	Width	Height	Depth
3DB33	Cabinet Dimensions	33	34½	24
	Top Drawer Front	32½	6¼	¾
	Bot/Mid Drawer Front	32½	11⅛	¾
	Top Drawer Box	29	3⅜	20⅜
	Bottom Drawer Box	29	8¼	20⅜
3DB36	Cabinet Dimensions	36	34½	24
	Top Drawer Front	35½	6¼	¾
	Bot/Mid Drawer Front	35½	11⅛	¾
	Top Drawer Box	32	3⅜	20⅜
	Bottom Drawer Box	32	8¼	20⅜

11

Three Drawer ADA Base Cabinets



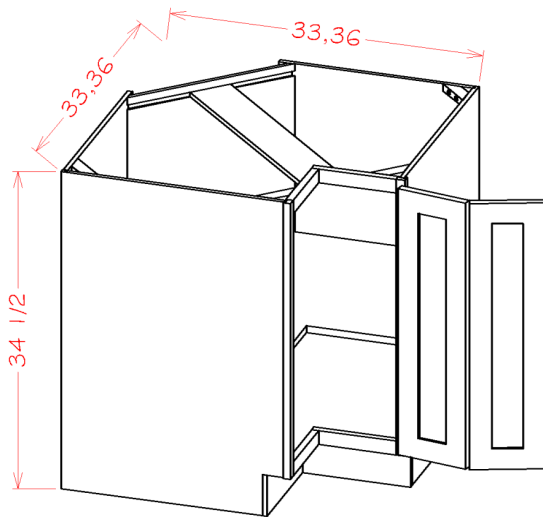
Model	Description	Width	Height	Depth
3DB15ADA*	Cabinet Dimensions	15	32½	24
	Top Drawer Front	14½	6¼	¾
	Bot/Mid Drawer Front	14½	10⅛	¾
	Top Drawer Box	11	3⅜	20⅜
	Bottom Drawer Box	11	7¼	20⅜
3DB18ADA*	Cabinet Dimensions	18	32½	24
	Top Drawer Front	17½	6¼	¾
	Bot/Mid Drawer Front	17½	10⅛	¾
	Top Drawer Box	14	3⅜	20⅜
	Bottom Drawer Box	14	7¼	20⅜

* Available in Shaker White (SW) only



PRODUCT SPECIFICATIONS

Base Easy Reach

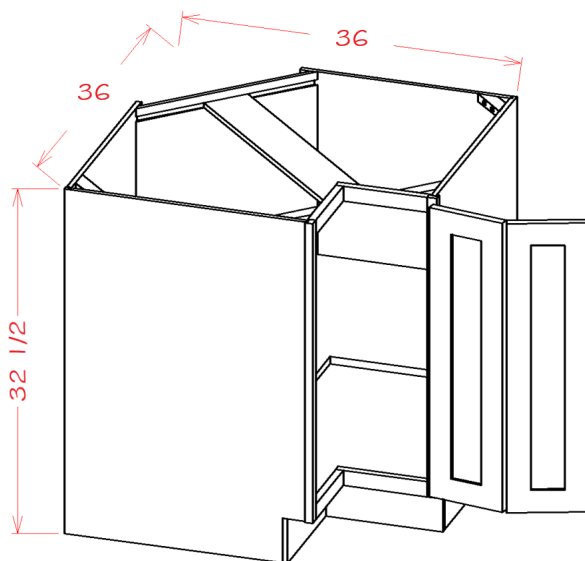


Model	Description	Width	Height	Depth
BER33	Cabinet Dimensions	33	34½	24
	Door Dimensions	7 ⁵ / ₈	29	¾
	Center Back Panel	18½	34½	½
	Side Back Panels	20½	34½	½
BER36	Cabinet Dimensions	36	34½	24
	Door Dimensions	10 ⁵ / ₈	29	¾
	Center Back Panel	18½	34½	½
	Side Back Panels	23½	34½	½

- BER33 inside opening is 11½" W
- BER36 inside opening is 15½" W

12

Easy Reach ADA Base Cabinet



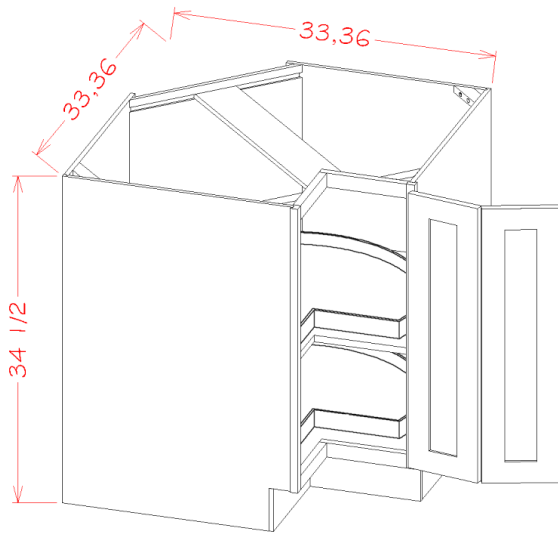
Model	Description	Width	Height	Depth
BER36ADA*	Cabinet Dimensions	36	32½	24
	Door Dimensions	10 ⁵ / ₈	27	¾
	Center Back Panel	18½	32½	½
	Side Back Panel	23½	32½	½

* Available in Shaker White (SW) only



PRODUCT SPECIFICATIONS

Base Easy Reach with Lazy Susan Trays

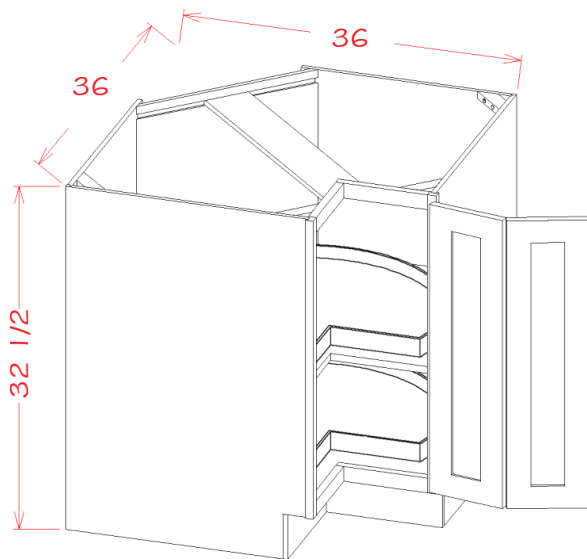


Model	Description	Width	Height	Depth
LSB33	Cabinet Dimensions	33	34½	24
	Door Dimensions	7 ⁵ / ₈	29	¾
	Center Back Panel	18½	34½	½
	Side Back Panels	20½	34½	½
	Lazy Susan Tray	27½	1¾	19 ⁵ / ₈
LSB36	Cabinet Dimensions	36	34½	24
	Door Dimensions	10 ⁵ / ₈	29	¾
	Center Back Panel	18½	34½	½
	Side Back Panels	23½	34½	½
	Lazy Susan Tray	27½	1¾	19 ⁵ / ₈

- LSB33 inside opening is 11½" W
- LSB36 inside opening is 15½" W
- Two boxes will be received when ordering this cabinet kit flat pack

13

Easy Reach with Lazy Susan Trays ADA Base Cabinet



Model	Description	Width	Height	Depth
LSB36ADA*	Cabinet Dimensions	36	32½	24
	Door Dimensions	10 ⁵ / ₈	27	¾
	Center Back Panel	18½	34½	½
	Side Back Panel	23½	34½	½
	Lazy Susan Tray	27½	1¾	19 ⁵ / ₈

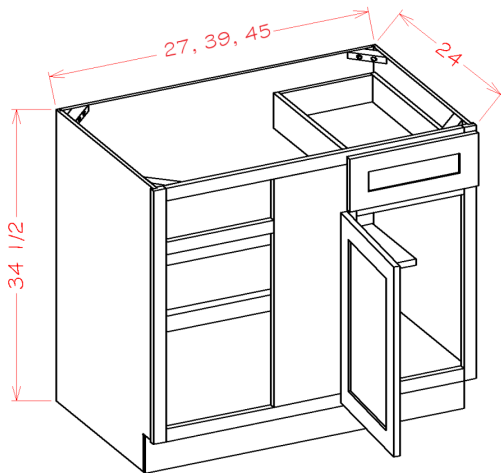
* Available in Shaker White (SW) only

- LSB36ADA inside opening is 15½" W
- Two boxes will be received when ordering this cabinet kit flat pack



PRODUCT SPECIFICATIONS

Blind Bases

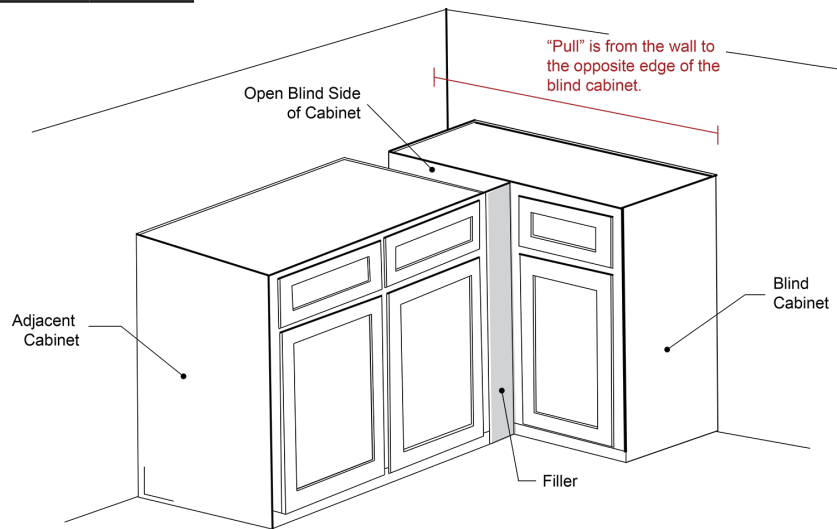


Model	Description	Width	Height	Depth
BBC36	Door Opening	6 ³ / ₄	20 ¹ / ₂	22 ³ / ₄
	Cabinet Dimensions	27	34 ¹ / ₂	24
	Door Dimensions	9 ³ / ₄	22 ¹ / ₂	³ / ₄
	Drawer Front	9 ³ / ₄	6 ¹ / ₄	³ / ₄
BBC42	Drawer Box	6 ¹ / ₂	3 ³ / ₈	20 ³ / ₈
	Door Opening	12 ³ / ₄	20 ¹ / ₂	22 ³ / ₄
	Cabinet Dimensions	39	34 ¹ / ₂	24
	Door Dimensions	15 ³ / ₄	22 ¹ / ₂	³ / ₄
BBC45	Drawer Front	15 ³ / ₄	6 ¹ / ₄	³ / ₄
	Drawer Box	12 ³ / ₈	3 ³ / ₈	20 ³ / ₈
	Door Opening	15 ³ / ₄	20 ¹ / ₂	22 ³ / ₄
	Cabinet Dimensions	45	34 ¹ / ₂	24
BBC45	Door Dimensions	18 ³ / ₄	22 ¹ / ₂	³ / ₄
	Drawer Front	18 ³ / ₄	6 ¹ / ₄	³ / ₄
BBC45	Drawer Box	15 ¹ / ₃	3 ³ / ₈	20 ³ / ₈

14

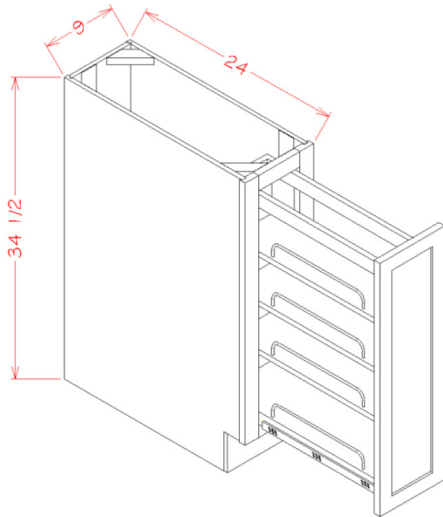
Model	Box Size	Min	Max	Stile
BBC36	27	36	42 ¹ / ₂	10
BBC42	39	41 ³ / ₄	48 ¹ / ₂	10
BBC45	45	45	51 ¹ / ₂	10

- Must Use Filler (purchased separately)



PRODUCT SPECIFICATIONS

Accessory Base Cabinets - Full Height Door Base Kit with Shelf Pullout

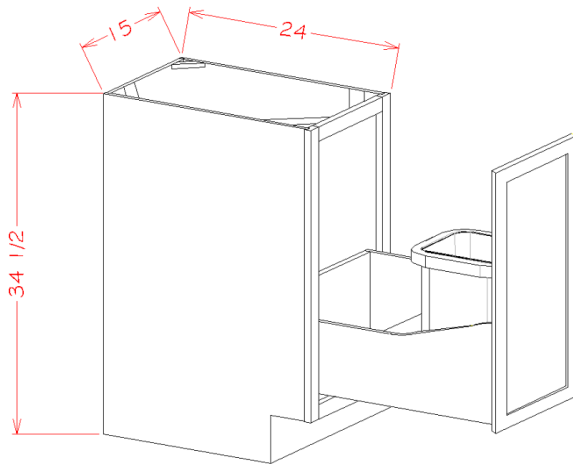


Model	Description	Width	Height	Depth
BT9PO	Cabinet Dimensions	9	34½	24
	Door Dimensions	8½	29	¾
	Pullout Dimensions	6	25½	22¾

- Pullout is mounted to the cabinet floor and door
- Full-extension slides with BLUMOTION soft-close (110 lb weight capacity)
- Two boxes will be received when ordering this cabinet kit flat pack

15

Accessory Base Cabinets - Full Height Door Base Kit with Single Trash Can Pullout

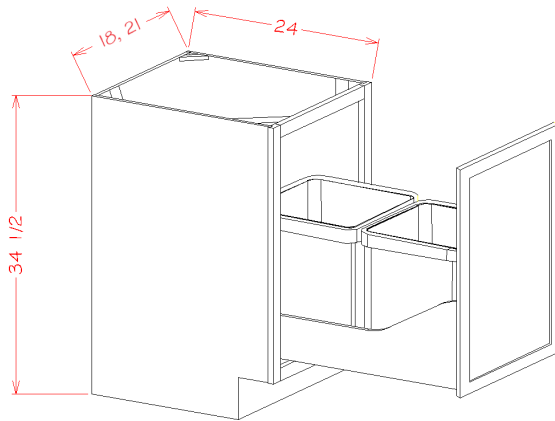


Model	Description	Width	Height	Depth
B15FHTCPO	Cabinet Dimensions	15	34½	24
	Door Dimensions	14½	29	¾
	Pullout Dimensions	12	19½	21 ²¹ / ₃₂
	Trash Can Dimensions	14 ³ / ₁₆	17 ⁷ / ₈	10½

- Pullout is mounted to the cabinet floor and door
- Full-extension slides with BLUMOTION soft-close (110 lb weight capacity)
- Single 35qt trash can
- Three boxes will be received when ordering this cabinet kit flat pack.

PRODUCT SPECIFICATIONS

Accessory Base Cabinets - Full Height Door Base Kit with Double Trash Can Pullout

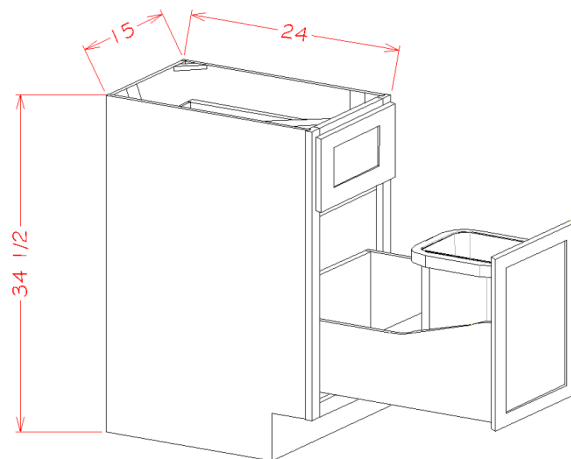


Model	Description	Width	Height	Depth
B18FHTCPO	Cabinet Dimensions	18	34½	24
	Door Dimensions	17½	29	¾
	Pullout Dimensions	15	20¾	21 ²¹ / ₃₂
	Trash Can Dimensions	14 ³ / ₁₆	17 ⁷ / ₈	10½
B21FHTCPO	Cabinet Dimensions	21	34½	24
	Door Dimensions	20½	29	¾
	Pullout Dimensions	18	20¾	21 ²¹ / ₃₂
	Trash Can Dimensions	14 ³ / ₁₆	17 ⁷ / ₈	10½

- Pullout is mounted to the cabinet floor and door
- Full-extension slides with BLUMOTION soft-close (110 lb weight capacity)
- Double 35qt trash can
- Three boxes will be received when ordering this cabinet kit flat pack

16

Accessory Base Cabinets - Single Door Single Drawer Base Kit with Single Trash Can Pullout

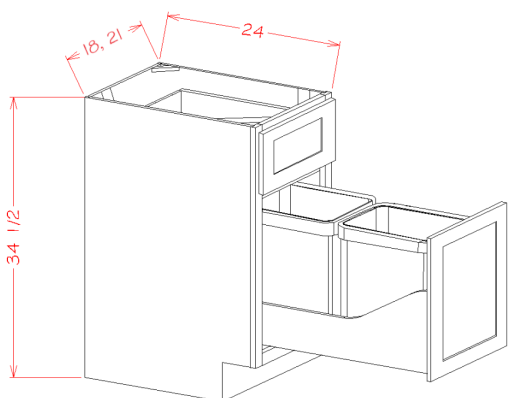


Model	Description	Width	Height	Depth
B15TCPO	Cabinet Dimensions	15	34½	24
	Door Dimensions	14½	22½	¾
	Drawer Front	14½	6¼	¾
	Drawer Box	11	3¼	20¾
	Pullout Dimensions	12	19½	21 ²¹ / ₃₂
	Trash Can Dimensions	14 ³ / ₁₆	17 ⁷ / ₈	10½

- Pullout is mounted to the cabinet floor and door
- Full-extension slides with BLUMOTION soft-close (110 lb weight capacity)
- Single 35qt trash can
- Two boxes will be received when ordering this cabinet kit flat pack

PRODUCT SPECIFICATIONS

Accessory Base Cabinets - Single Door Single Drawer Base Kit with Double Trash can Pullout

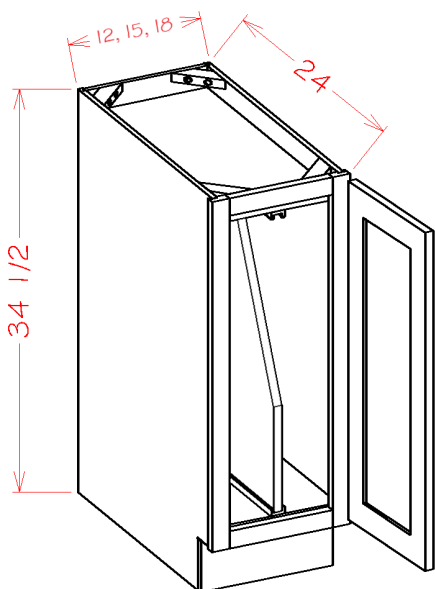


- Pullout is mounted to the cabinet floor and door
- Full-extension slides with BLUMOTION soft-close (110 lb weight capacity)
- Double 35qt trash can
- Two boxes will be received when ordering this cabinet kit flat pack

Model	Description	Width	Height	Depth
B18TCPO	Cabinet Dimensions	18	34½	24
	Door Dimensions	17½	22½	¾
	Drawer Front	17½	6¼	¾
	Drawer Box	14	3¼	20¾
	Pullout Dimensions	15	19½	21 ²¹ / ₃₂
	Trash Can Dimensions	14 ³ / ₁₆	17 ⁷ / ₈	10½
B21TCPO	Cabinet Dimensions	21	34½	24
	Door Dimensions	20½	22½	¾
	Drawer Front	20½	6¼	¾
	Drawer Box	17	3¼	20¾
	Pullout Dimensions	18	19½	21 ²¹ / ₃₂
	Trash Can Dimensions	14 ³ / ₁₆	17 ⁷ / ₈	10½

17

Accessory Base Cabinets - Full Height Tray Divider Base Kit

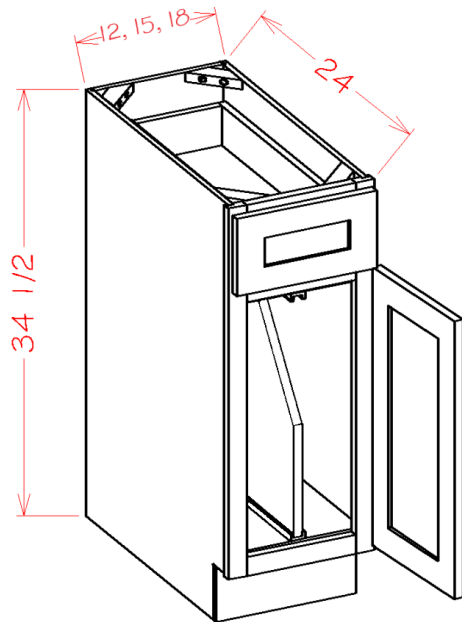


Model	Description	Width	Height	Depth
B12FHTD	Cabinet Dimensions	12	34½	24
	Door Dimensions	11½	29	¾
	Tray Divider	¾	27	22½
B15FHTD	Cabinet Dimensions	15	34½	24
	Door Dimensions	14½	29	¾
	Tray Divider	¾	27	22½
B18FHTD	Cabinet Dimensions	18	34½	24
	Door Dimensions	17½	29	¾
	Tray Divider	¾	27	22½

- B18FHTD Includes Two Dividers
- Three boxes will be received when ordering this cabinet kit flat pack

PRODUCT SPECIFICATIONS

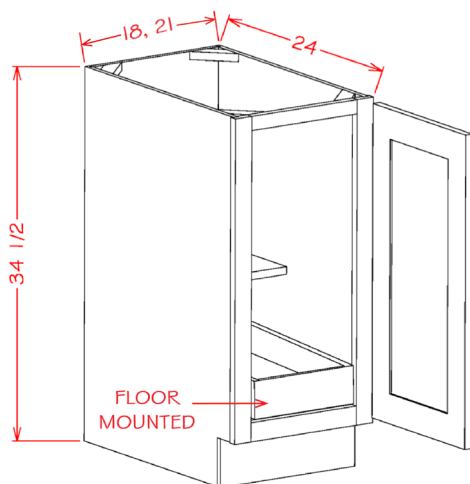
Accessory Base Cabinets - Tray Divider Base Kit



Model	Description	Width	Height	Depth
B12TD	Cabinet Dimensions	12	34½	24
	Door Dimensions	11½	22½	¾
	Drawer Front	11½	6¼	¾
	Drawer Box	8	¾	20¾
	Tray Divider	¾	21	22½
B15TD	Cabinet Dimensions	15	34½	24
	Door Dimensions	14½	22½	¾
	Drawer Front	14½	6¼	¾
	Drawer Box	11	¾	20¾
	Tray Divider	¾	21	22½
B18TD	Cabinet Dimensions	18	34½	24
	Door Dimensions	17½	22½	¾
	Drawer Front	17½	6¼	¾
	Drawer Box	14	¾	20¾
	Tray Divider	¾	21	22½

- B18TD Includes Two Dividers
- Two boxes will be received when ordering this cabinet kit flat pack

Accessory Base Cabinets - Single Full Height Door One Rollout Shelf Base Kit

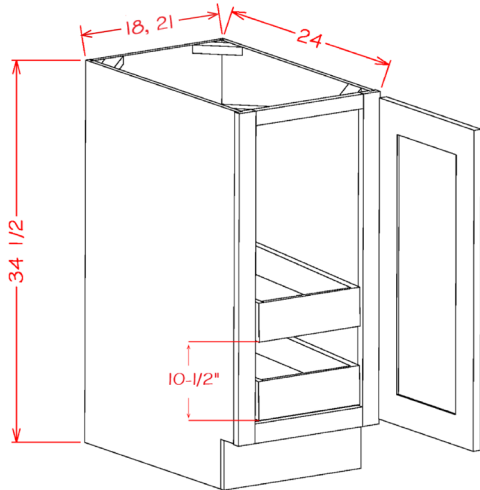


Model	Description	Width	Height	Depth
B18FH1RS	Cabinet Dimensions	18	34½	24
	Door Dimensions	17½	29	¾
	Rollout Shelf	13¾	¾	20 ⁷ / ₁₆
B21FH1RS	Cabinet Dimensions	21	34½	24
	Door Dimensions	20½	29	¾
	Rollout Shelf	16¾	¾	20 ⁷ / ₁₆

- Assembled cabinets with Rollout Shelf kits are ONLY installed as indicated in the line drawing
- Three boxes will be received when ordering this cabinet kit flat pack
- Rollout Shelf glides are side mounted ball bearing with no soft close
- Rollout Shelf Recommended Max Weight: 35lbs

PRODUCT SPECIFICATIONS

Accessory Base Cabinets - Single Full Height Door Two Rollout Shelf Base Kit

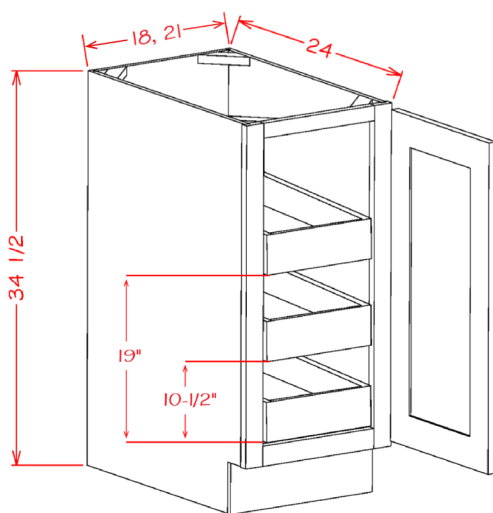


Model	Description	Width	Height	Depth
B18FH2RS	Cabinet Dimensions	18	34½	24
	Door Dimensions	17½	29	¾
	Rollout Shelf	13¾	3¾	20 ⁷ / ₁₆
B21FH2RS	Cabinet Dimensions	21	34½	24
	Door Dimensions	20½	29	¾
	Rollout Shelf	16¾	3¾	20 ⁷ / ₁₆

- Assembled cabinets with Rollout Shelf kits are ONLY installed as indicated in the line drawing
- Four boxes will be received when ordering this cabinet kit flat pack
- Rollout Shelf glides are side mounted ball bearing with no soft close
- Rollout Shelf Recommended Max Weight: 35lbs

19

Accessory Base Cabinets - Single Full Height Door Three Rollout Shelf Base Kit

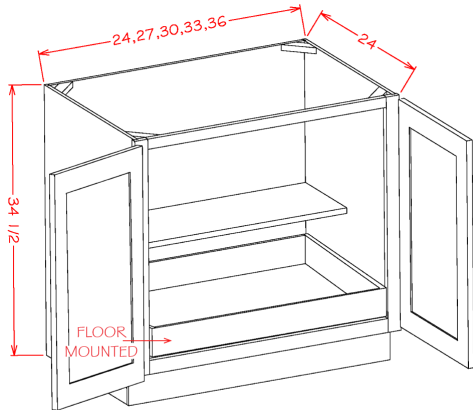


Model	Description	Width	Height	Depth
B18FH3RS	Cabinet Dimensions	18	34½	24
	Door Dimensions	17½	29	¾
	Rollout Shelf	13¾	3¾	20 ⁷ / ₁₆
B21FH3RS	Cabinet Dimensions	21	34½	24
	Door Dimensions	20½	29	¾
	Rollout Shelf	16¾	3¾	20 ⁷ / ₁₆

- Assembled cabinets with Rollout Shelf kits are ONLY installed as indicated in the line drawing
- Five boxes will be received when ordering this cabinet kit flat pack
- Rollout Shelf glides are side mounted ball bearing with no soft close
- Rollout Shelf Recommended Max Weight: 35lbs

PRODUCT SPECIFICATIONS

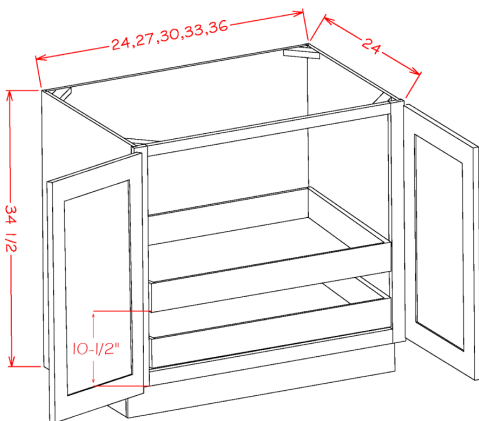
Accessory Base Cabinets - Double Full Height Door One Rollout Shelf Base Kit



- Assembled cabinets with Rollout Shelf kits are ONLY installed as indicated in the line drawing
- Three boxes will be received when ordering this cabinet kit flat pack
- Rollout Shelf glides are side mounted ball bearing with no soft close
- Rollout Shelf Recommended Max Weight: 35lbs

Model	Description	Width	Height	Depth
B24FH1RS	Cabinet Dimensions	24	34½	24
	Door Dimensions	11¾	29	¾
	Rollout Shelf	19½	3⅜	20 ⁷ / ₁₆
B27FH1RS	Cabinet Dimensions	27	34½	24
	Door Dimensions	13¼	29	¾
	Rollout Shelf	22½	3⅜	20 ⁷ / ₁₆
B30FH1RS	Cabinet Dimensions	30	34½	24
	Door Dimensions	14¾	29	¾
	Rollout Shelf	25⅜	3⅜	20 ⁷ / ₁₆
B33FH1RS	Cabinet Dimensions	33	34½	24
	Door Dimensions	16¼	29	¾
	Rollout Shelf	28⅜	3⅜	20 ⁷ / ₁₆
B36FH1RS	Cabinet Dimensions	36	34½	24
	Door Dimensions	17¾	29	¾
	Rollout Shelf	31⅜	3⅜	20 ⁷ / ₁₆

Accessory Base Cabinets - Double Full Height Door Two Rollout Shelf Base Kit

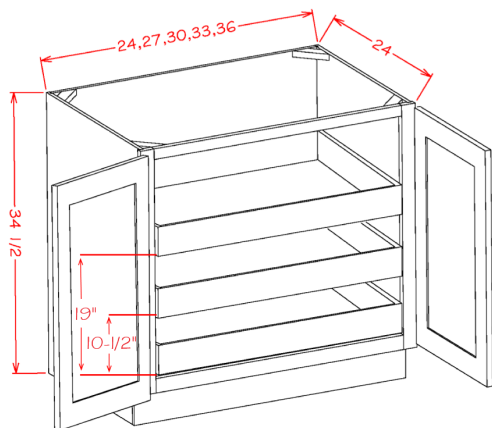


- Assembled cabinets with Rollout Shelf kits are ONLY installed as indicated in the line drawing
- Four boxes will be received when ordering this cabinet kit flat pack
- Rollout Shelf glides are side mounted ball bearing with no soft close
- Rollout Shelf Recommended Max Weight: 35lbs

Model	Description	Width	Height	Depth
B24FH2RS	Cabinet Dimensions	24	34½	24
	Door Dimensions	11¾	29	¾
	Rollout Shelf	19½	3⅜	20 ⁷ / ₁₆
B27FH2RS	Cabinet Dimensions	27	34½	24
	Door Dimensions	13¼	29	¾
	Rollout Shelf	22½	3⅜	20 ⁷ / ₁₆
B30FH2RS	Cabinet Dimensions	30	34½	24
	Door Dimensions	14¾	29	¾
	Rollout Shelf	25⅜	3⅜	20 ⁷ / ₁₆
B33FH2RS	Cabinet Dimensions	33	34½	24
	Door Dimensions	16¼	29	¾
	Rollout Shelf	28⅜	3⅜	20 ⁷ / ₁₆
B36FH2RS	Cabinet Dimensions	36	34½	24
	Door Dimensions	17¾	29	¾
	Rollout Shelf	31⅜	3⅜	20 ⁷ / ₁₆

PRODUCT SPECIFICATIONS

Accessory Base Cabinets - Double Full Height Door Three Rollout Shelf Base Kit

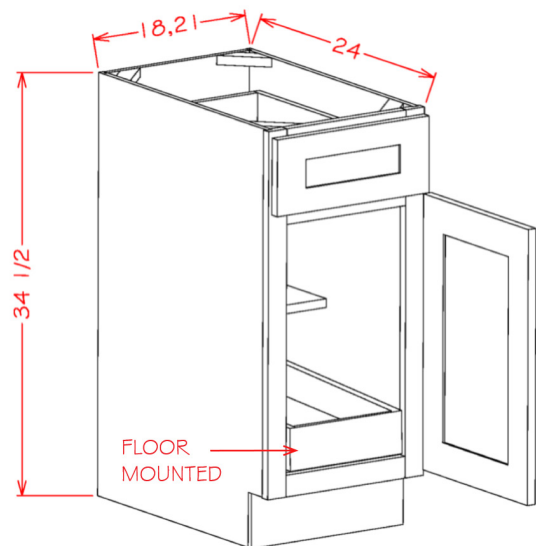


- Assembled cabinets with Rollout Shelf kits are ONLY installed as indicated in the line drawing
- Five boxes will be received when ordering this cabinet kit flat pack
- Rollout Shelf glides are side mounted ball bearing with no soft close
- Rollout Shelf Recommended Max Weight: 35lbs

Model	Description	Width	Height	Depth
B24FH3RS	Cabinet Dimensions	24	34½	24
	Door Dimensions	11¾	29	¾
	Rollout Shelf	19½	3⅜	20 ⁷ / ₁₆
B27FH3RS	Cabinet Dimensions	27	34½	24
	Door Dimensions	13¼	29	¾
	Rollout Shelf	22½	3⅜	20 ⁷ / ₁₆
B30FH3RS	Cabinet Dimensions	30	34½	24
	Door Dimensions	14¾	29	¾
	Rollout Shelf	25⅜	3⅜	20 ⁷ / ₁₆
B33FH3RS	Cabinet Dimensions	33	34½	24
	Door Dimensions	16¼	29	¾
	Rollout Shelf	28⅜	3⅜	20 ⁷ / ₁₆
B36FH3RS	Cabinet Dimensions	36	34½	24
	Door Dimensions	17¾	29	¾
	Rollout Shelf	31⅜	3⅜	20 ⁷ / ₁₆

21

Accessory Base Cabinets - Single Door Single Drawer One Rollout Shelf Base Kit

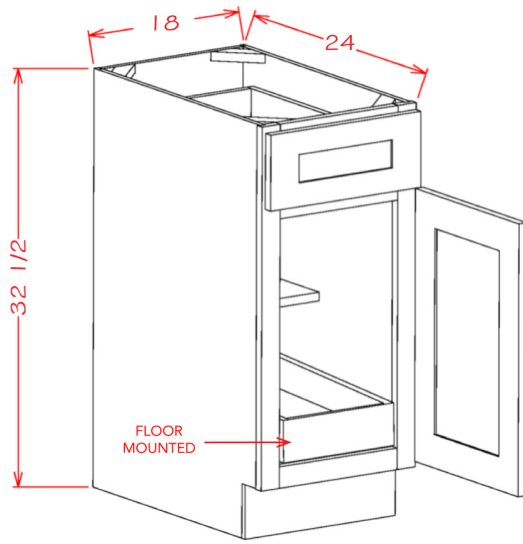


Model	Description	Width	Height	Depth
B181RS	Cabinet Dimensions	18	34½	24
	Door Dimensions	17½	22½	¾
	Drawer Front	17½	6¼	¾
	Drawer Box	14	3¼	20 ³ / ₈
	Rollout Shelf	13⅜	3⅜	20 ⁷ / ₁₆
B2111RS	Cabinet Dimensions	21	34½	24
	Door Dimensions	20½	22½	¾
	Drawer Front	20½	6¼	¾
	Drawer Box	17	3¼	20 ³ / ₈
	Rollout Shelf	16⅜	3⅜	20 ⁷ / ₁₆

- Assembled cabinets with Rollout Shelf kits are ONLY installed as indicated in the line drawing
- Two boxes will be received when ordering this cabinet kit flat pack
- Rollout Shelf glides are side mounted ball bearing with no soft close
- Rollout Shelf Recommended Max Weight: 35lbs

PRODUCT SPECIFICATIONS

Single Door Single Drawer One Rollout Shelf ADA Base Cabinet



Model	Description	Width	Height	Depth
B18ADA1RS*	Cabinet Dimensions	18	32½	24
	Door Dimensions	17½	20½	¾
	Drawer Front	17½	6¼	¾
	Drawer Box	14	¾	20¾
	Rollout Shelf	13¾	¾	20⅞

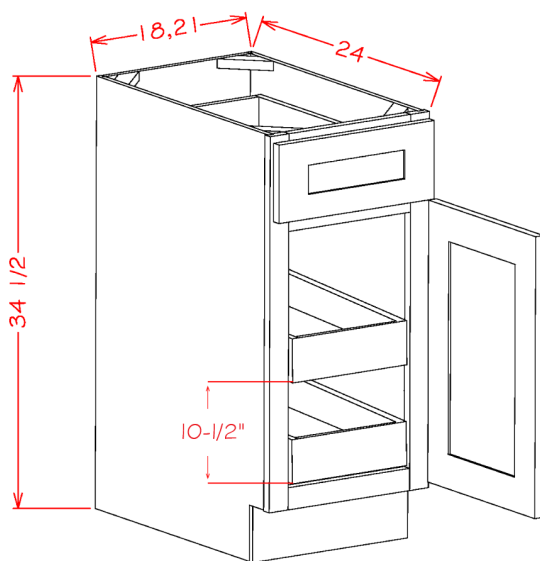
* Available in Shaker White (SW) only

- Assembled cabinets with Rollout Shelf kits are ONLY installed as indicated in the line drawing
- Two boxes will be received when ordering this cabinet kit flat pack
- Rollout Shelf glides are side mounted ball bearing with no soft close
- Rollout Shelf Recommended Max Weight: 35lbs



22

Accessory Base Cabinets - Single Door Single Drawer Two Rollout Shelf Base Kit

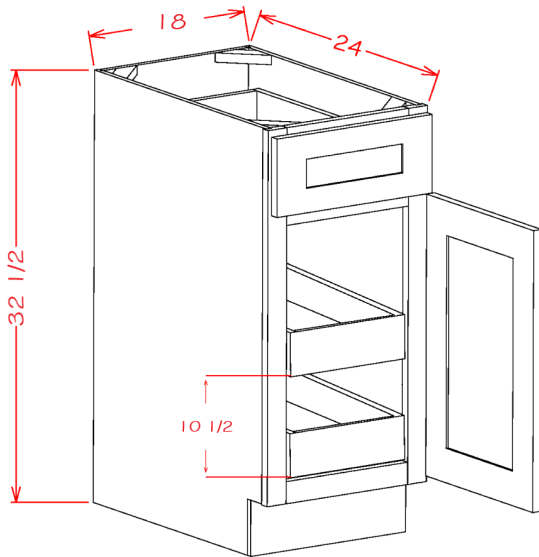


Model	Description	Width	Height	Depth
B182RS	Cabinet Dimensions	18	34½	24
	Door Dimensions	17½	22½	¾
	Drawer Front	17½	6¼	¾
	Drawer Box	14	¾	20¾
	Rollout Shelf	13¾	¾	20⅞
B212RS	Cabinet Dimensions	21	34½	24
	Door Dimensions	20½	22½	¾
	Drawer Front	20½	6¼	¾
	Drawer Box	17	¾	20¾
	Rollout Shelf	16¾	¾	20⅞

- Assembled cabinets with Rollout Shelf kits are ONLY installed as indicated in the line drawing
- Three boxes will be received when ordering this cabinet kit flat pack
- Rollout Shelf glides are side mounted ball bearing with no soft close
- Rollout Shelf Recommended Max Weight: 35lbs

PRODUCT SPECIFICATIONS

Single Door Single Drawer Two Rollout Shelf ADA Base Cabinet



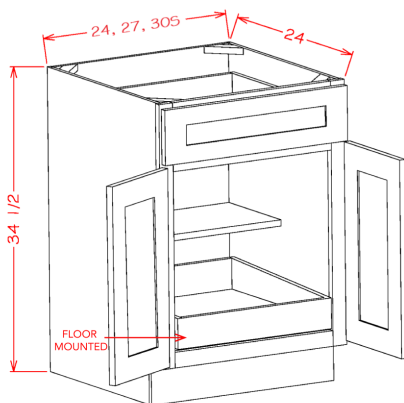
Model	Description	Width	Height	Depth
B18ADA2RS*	Cabinet Dimensions	18	32½	24
	Door Dimensions	17½	20½	¾
	Drawer Front	17½	6¼	¾
	Drawer Box	14	3¼	20¾
	Rollout Shelf	13¾	3¾	20 ⁷ / ₁₆

* Available in Shaker White (SW) only

- Assembled cabinets with Rollout Shelf kits are ONLY installed as indicated in the line drawing
- Three boxes will be received when ordering this cabinet kit flat pack
- Rollout Shelf glides are side mounted ball bearing with no soft close
- Rollout Shelf Recommended Max Weight: 35lbs



Accessory Base Cabinets - Double Door Single Drawer One Rollout Shelf Base Kit

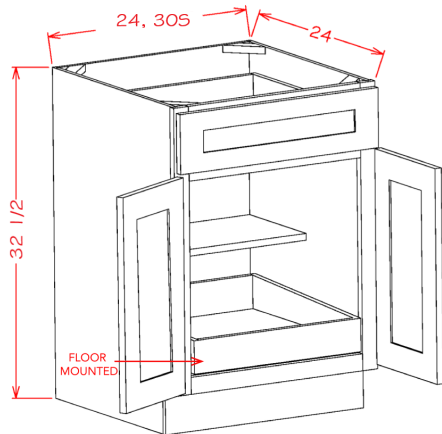


- Assembled cabinets with Rollout Shelf kits are ONLY installed as indicated in the line drawing
- Two boxes will be received when ordering this cabinet kit flat pack
- Rollout Shelf glides are side mounted ball bearing with no soft close
- Rollout Shelf Recommended Max Weight: 35lbs

Model	Description	Width	Height	Depth
B241RS	Cabinet Dimensions	24	34½	24
	Door Dimensions	11¾	22½	¾
	Drawer Front	23½	6¼	¾
	Drawer Box	20	3¼	20¾
	Rollout Shelf	19½	3¾	20 ⁷ / ₁₆
B271RS	Cabinet Dimensions	27	34½	24
	Door Dimensions	13¾	22½	¾
	Drawer Front	26½	6¼	¾
	Drawer Box	23	3¼	20¾
	Rollout Shelf	22½	3¾	20 ⁷ / ₁₆
B30S1RS	Cabinet Dimensions	30	34½	24
	Door Dimensions	14¾	22½	¾
	Drawer Front	29½	6¼	¾
	Drawer Box	26	3¼	20¾
	Rollout Shelf	22½	3¾	20 ⁷ / ₁₆

PRODUCT SPECIFICATIONS

Double Door Single Drawer One Rollout Shelf ADA Base Cabinets



Model	Description	Width	Height	Depth
B24ADA1RS*	Cabinet Dimensions	24	32½	24
	Door Dimensions	11¾	20½	¾
	Drawer Front	23½	6¼	¾
	Drawer Box	20	3¼	20⅜
	Rollout Shelf	19½	3⅜	20⅞
B30SADA1RS*	Cabinet Dimensions	30	32½	24
	Door Dimensions	14¾	20½	¾
	Drawer Front	29½	6¼	¾
	Drawer Box	26	3¼	20⅜
	Rollout Shelf	25⅜	3⅜	20⅞

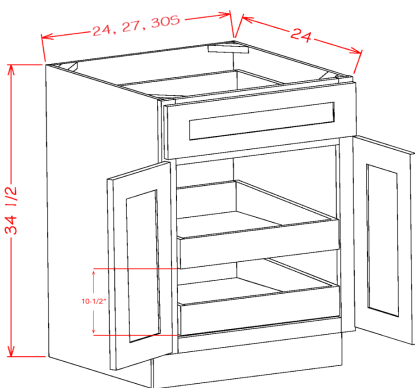
* Available in Shaker White (SW) only

- Assembled cabinets with Rollout Shelf kits are ONLY installed as indicated in the line drawing
- Two boxes will be received when ordering this cabinet kit flat pack
- Rollout Shelf glides are side mounted ball bearing with no soft close
- Rollout Shelf Recommended Max Weight: 35lbs



24

Accessory Base Cabinets - Double Door Single Drawer Two Rollout Shelf Base Kit

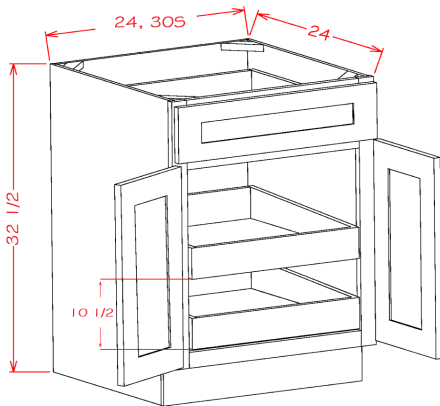


- Assembled cabinets with Rollout Shelf kits are ONLY installed as indicated in the line drawing
- Three boxes will be received when ordering this cabinet kit flat pack.
- Rollout Shelf glides are side mounted ball bearing with no soft close.
- Rollout Shelf Recommended Max Weight: 35lbs

Model	Description	Width	Height	Depth
B242RS	Cabinet Dimension	24	34½	24
	Door Dimensions	11¾	22½	¾
	Drawer Front	23½	6¼	¾
	Drawer Box	20	3¼	20⅜
	Rollout Shelf	19½	3⅜	20⅞
B272RS	Cabinet Dimensions	27	34½	24
	Door Dimensions	13¾	22½	¾
	Drawer Front	26½	6¼	¾
	Drawer Box	23	3¼	20⅜
	Rollout Shelf	22½	3⅜	20⅞
B30S2RS	Cabinet Dimensions	30	34½	24
	Door Dimensions	14¾	22½	¾
	Drawer Front	29½	6¼	¾
	Drawer Box	26	3¼	20⅜
	Rollout Shelf	22½	3⅜	20⅞

PRODUCT SPECIFICATIONS

Double Door Single Drawer Two Rollout Shelf ADA Base Cabinets



Model	Description	Width	Height	Depth
B24ADA2RS*	Cabinet Dimensions	24	32½	24
	Door Dimensions	11¾	20½	¾
	Drawer Front	23⅕	6¼	¾
	Drawer Box	20	3¼	20⅜
	Rollout Shelf	19½	3⅜	20 ⁷ / ₁₆
B30SADA2RS*	Cabinet Dimensions	36	32½	24
	Door Dimensions	14¾	20½	¾
	Drawer Front	29½	6¼	¾
	Drawer Box	26	3¼	20⅜
	Rollout Shelf	25⅜	3⅜	20 ⁷ / ₁₆

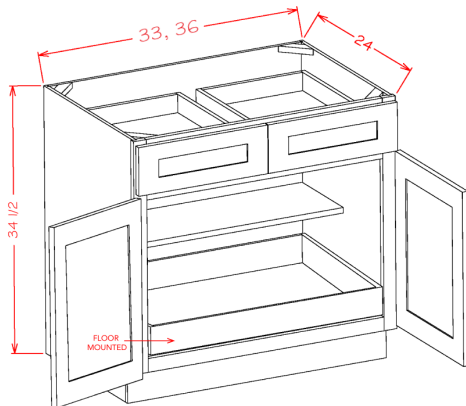
* Available in Shaker White (SW) only

- Assembled cabinets with Rollout Shelf kits are ONLY installed as indicated in the line drawing
- Three boxes will be received when ordering this cabinet kit flat pack
- Rollout Shelf glides are side mounted ball bearing with no soft close
- Rollout Shelf Recommended Max Weight: 35lbs



25

Accessory Base Cabinets - Double Door Double Drawer One Rollout Shelf Base Kit

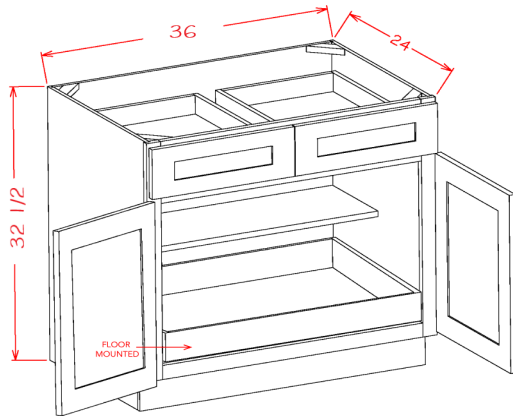


Model	Description	Width	Height	Depth
B331RS	Cabinet Dimensions	33	34½	24
	Door Dimensions	16¼	22½	¾
	Drawer Front	16¼	6¼	¾
	Drawer Box	13½	3¼	20⅜
	Rollout Shelf	28⅜	3⅜	20 ⁷ / ₁₆
B361RS	Cabinet Dimensions	36	34½	24
	Door Dimensions	17¾	22½	¾
	Drawer Front	17¾	6¼	¾
	Drawer Box	15	3¼	20⅜
	Rollout Shelf	31⅜	3⅜	20 ⁷ / ₁₆

- Assembled cabinets with Rollout Shelf kits are ONLY installed as indicated in the line drawing
- Two boxes will be received when ordering this cabinet kit flat pack
- Rollout Shelf glides are side mounted ball bearing with no soft close
- Rollout Shelf Recommended Max Weight: 35lbs

PRODUCT SPECIFICATIONS

Double Door Double Drawer One Rollout Shelf ADA Base Cabinet



Model	Description	Width	Height	Depth
B36ADA1RS*	Cabinet Dimensions	36	32½	24
	Door Dimensions	17¾	20½	¾
	Drawer Front	17¾	6¼	¾
	Drawer Box	15	3¼	20⅜
	Rollout Shelf	31⅜	3⅜	20⅞

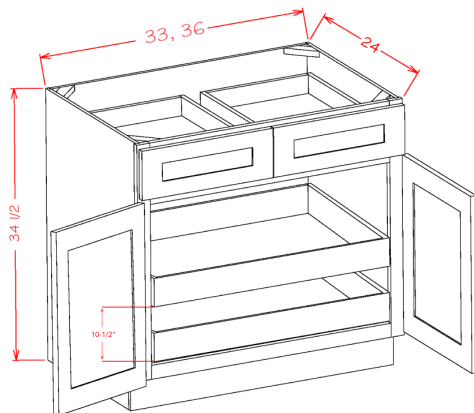
* Available in Shaker White (SW) only

- Assembled cabinets with Rollout Shelf kits are ONLY installed as indicated in the line drawing
- Two boxes will be received when ordering this cabinet kit flat pack
- Rollout Shelf glides are side mounted ball bearing with no soft close
- Rollout Shelf Recommended Max Weight: 35lbs



26

Accessory Base Cabinets - Double Door Double Drawer Two Rollout Shelf Base Kit

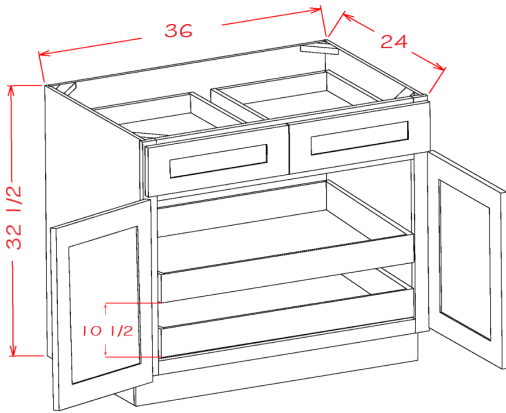


Model	Description	Width	Height	Depth
B332RS	Cabinet Dimensions	33	34½	24
	Door Dimensions	16¼	22½	¾
	Drawer Front	16¼	6¼	¾
	Drawer Box	13½	3¼	20⅜
	Rollout Shelf	28⅜	3⅜	20⅞
B362RS	Cabinet Dimensions	36	34½	24
	Door Dimensions	17¾	22½	¾
	Drawer Front	17¾	6¼	¾
	Drawer Box	15	3¼	20⅜
	Rollout Shelf	31⅜	3⅜	20⅞

- Assembled cabinets with Rollout Shelf kits are ONLY installed as indicated in the line drawing
- Three boxes will be received when ordering this cabinet kit flat pack.
- Rollout Shelf glides are side mounted ball bearing with no soft close.
- Rollout Shelf Recommended Max Weight: 35lbs

PRODUCT SPECIFICATIONS

Double Door Double Drawer Two Rollout Shelf ADA Base Cabinet



Model	Description	Width	Height	Depth
B36ADA2RS*	Cabinet Dimensions	36	32½	24
	Door Dimensions	17¾	20½	¾
	Drawer Front	17¾	6¼	¾
	Drawer Box	15	3¼	20⅜
	Rollout Shelf	31⅜	3⅜	20⅞

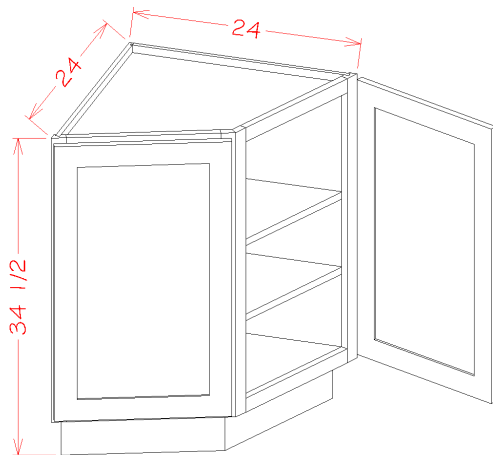
* Available in Shaker White (SW) only

- Assembled cabinets with Rollout Shelf kits are ONLY installed as indicated in the line drawing
- Three boxes will be received when ordering this cabinet kit flat pack.
- Rollout Shelf glides are side mounted ball bearing with no soft close.
- Rollout Shelf Recommended Max Weight: 35lbs



27

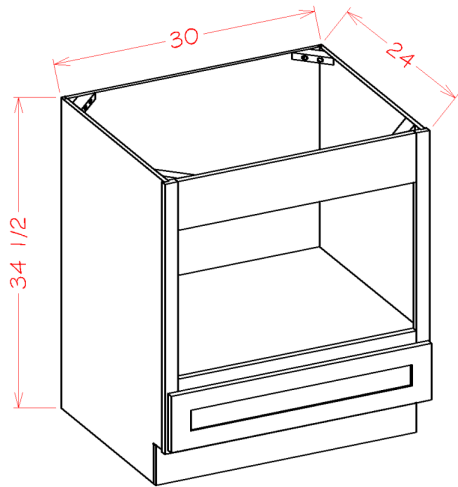
Specialty Bases - Base End Cabinet



Model	Description	Width	Height	Depth
BEC24	Cabinet Dimensions	30	34½	24
	Door Dimensions	17½	29	¾

PRODUCT SPECIFICATIONS

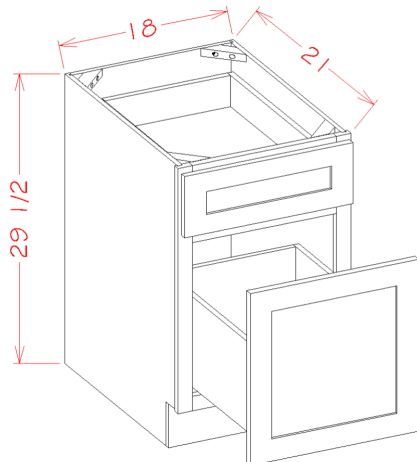
Specialty Bases - Base Microwave Cabinet



Model	Description	Width	Height	Depth
BMW30	Cabinet Dimensions	30	34½	24
	Microwave Opening	26½	16½	23
	Drawer Front	29½	6¼	¾
	Drawer Box	26	3⅜	21

- Microwave opening trimmable to 20¹/₈" H
- Natural Interior

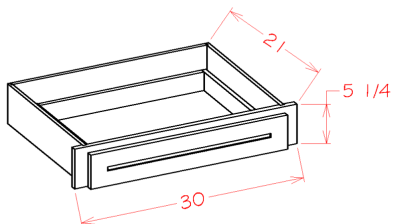
Specialty Bases - Desk File Base



Model	Description	Width	Height	Depth
DFB18	Cabinet Dimensions	18	29½	21
	Top Drawer Front	17½	6¼	¾
	Bottom Drawer Front	17½	17½	¾
	Top Drawer Box	14	3⅜	17⅜
	Bottom Drawer Box	14	9¼	17⅜

- Does not include file hanging hardware

Specialty Bases - Desk Knee Drawer

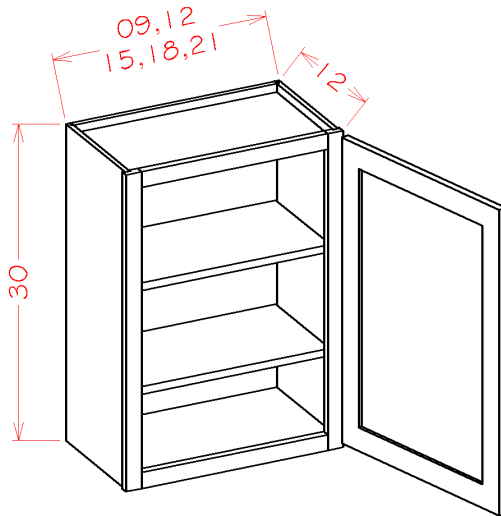


Model	Description	Width	Height	Depth
DKD30	Cabinet Dimensions	30	5¼	21
	Drawer Front	27	4½	¾
	Drawer Box	23	3¼	17⅜

- Trimmable to 28" W
- Glides are side mount ball bearing with no soft close

PRODUCT SPECIFICATIONS

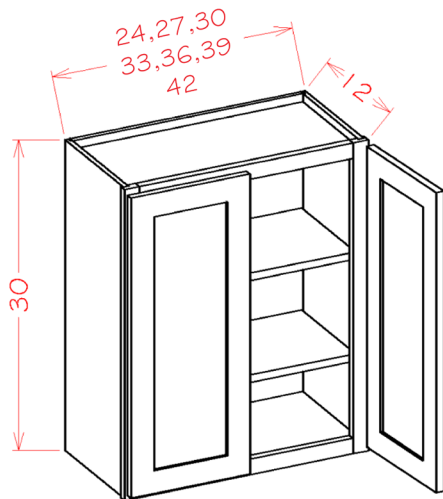
30" High Wall Cabinets - Single Door *Two Adjustable Shelves



Model	Description	Width	Height	Depth
W0930	Cabinet Dimensions	9	30	12
	Door Dimensions	8½	29	¾
W1230	Cabinet Dimensions	12	30	12
	Door Dimensions	11½	29	¾
W1530	Cabinet Dimensions	15	30	12
	Door Dimensions	14½	29	¾
W1830	Cabinet Dimensions	18	30	12
	Door Dimensions	17½	29	¾
W2130	Cabinet Dimensions	21	30	12
	Door Dimensions	20½	29	¾

29

30" High Wall Cabinets - Double Door *Two Adjustable Shelves



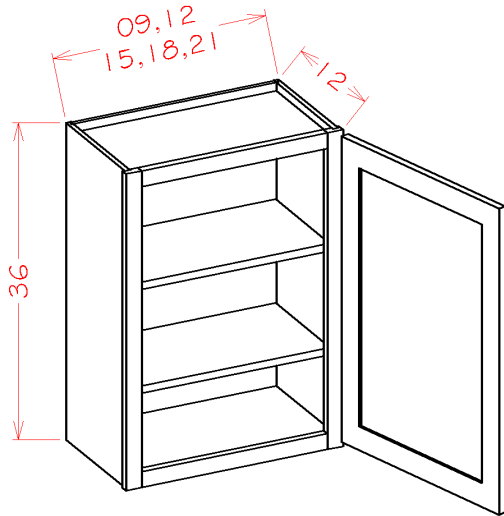
Model	Description	Width	Height	Depth
W2430	Cabinet Dimensions	24	30	12
	Door Dimensions	11¾	29	¾
W2730	Cabinet Dimensions	27	30	12
	Door Dimensions	13¾	29	¾
W3030	Cabinet Dimensions	30	30	12
	Door Dimensions	14¾	29	¾
W3330	Cabinet Dimensions	33	30	12
	Door Dimensions	16¾	29	¾
W3630	Cabinet Dimensions	36	30	12
	Door Dimensions	17¾	29	¾
W3930*	Cabinet Dimensions	39	30	12
	Door Dimensions	19¼	29	¾
W4230*	Cabinet Dimensions	42	30	12
	Door Dimensions	20¾	29	¾

* W3930 & W4230 available in Shaker White (SW) only

• W3930 & W4230 include center stile

PRODUCT SPECIFICATIONS

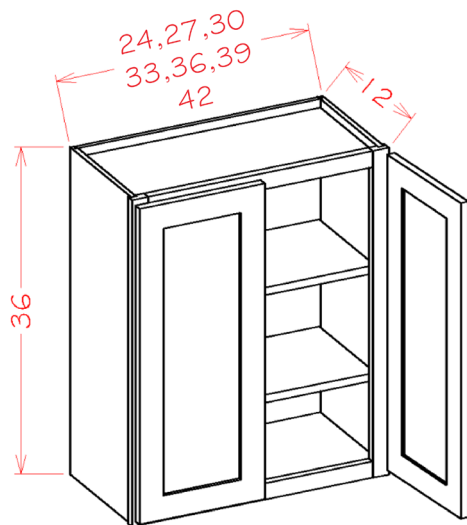
36" High Wall Cabinets - Single Door *Two Adjustable Shelves



Model	Description	Width	Height	Depth
W0936	Cabinet Dimensions	9	36	12
	Door Dimensions	8½	35	¾
W1236	Cabinet Dimensions	12	36	12
	Door Dimensions	11½	35	¾
W1536	Cabinet Dimensions	15	36	12
	Door Dimensions	14½	35	¾
W1836	Cabinet Dimensions	18	36	12
	Door Dimensions	17½	35	¾
W2136	Cabinet Dimensions	21	36	12
	Door Dimensions	20½	35	¾

30

36" High Wall Cabinets - Double Door *Two Adjustable Shelves



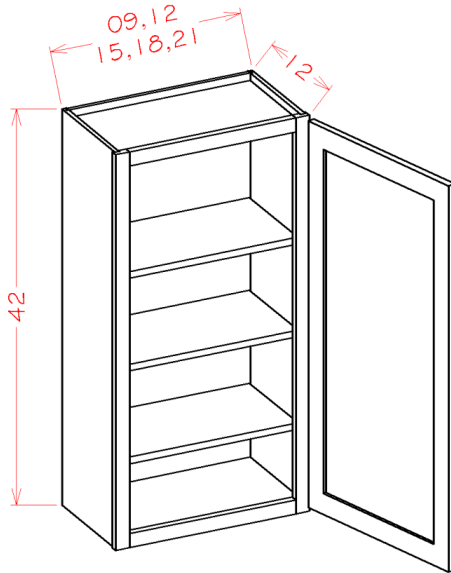
Model	Description	Width	Height	Depth
W2436	Cabinet Dimensions	24	36	12
	Door Dimensions	11¾	35	¾
W2736	Cabinet Dimensions	27	36	12
	Door Dimensions	13¾	35	¾
W3036	Cabinet Dimensions	30	36	12
	Door Dimensions	14¾	35	¾
W3336	Cabinet Dimensions	33	36	12
	Door Dimensions	16¾	35	¾
W3636	Cabinet Dimensions	36	36	12
	Door Dimensions	17¾	35	¾
W3936*	Cabinet Dimensions	39	36	12
	Door Dimensions	19¾	35	¾
W4236*	Cabinet Dimensions	42	36	12
	Door Dimensions	20¾	35	¾

* W3936 & W4236 available in Shaker White (SW) only

• W3936 & W4236 include center stile

PRODUCT SPECIFICATIONS

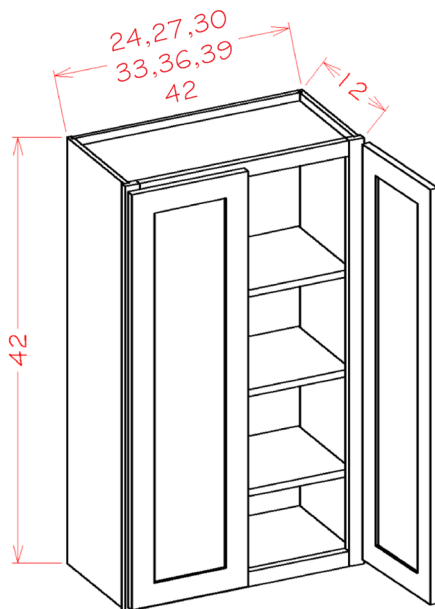
42" High Wall Cabinets - Single Door *Three Adjustable Shelves



Model	Description	Width	Height	Depth
W0942	Cabinet Dimensions	9	42	12
	Door Dimensions	8½	41	¾
W1242	Cabinet Dimensions	12	42	12
	Door Dimensions	11½	41	¾
W1542	Cabinet Dimensions	15	42	12
	Door Dimensions	14½	41	¾
W1842	Cabinet Dimensions	18	42	12
	Door Dimensions	17½	41	¾
W2142	Cabinet Dimensions	21	42	12
	Door Dimensions	20½	41	¾

31

42" High Wall Cabinets - Double Door *Three Adjustable Shelves



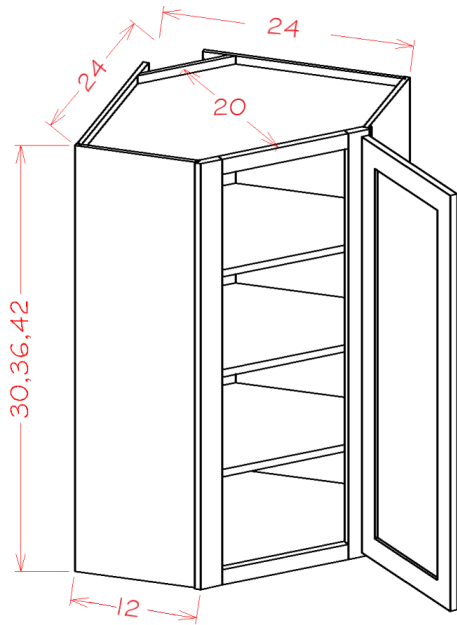
Model	Description	Width	Height	Depth
W2442	Cabinet Dimensions	24	42	12
	Door Dimensions	11¾	41	¾
W2742	Cabinet Dimensions	27	42	12
	Door Dimensions	13¾	41	¾
W3042	Cabinet Dimensions	30	42	12
	Door Dimensions	14¾	41	¾
W3342	Cabinet Dimensions	33	42	12
	Door Dimensions	16¾	41	¾
W3642	Cabinet Dimensions	36	42	12
	Door Dimensions	17¾	41	¾
W3942*	Cabinet Dimensions	39	42	12
	Door Dimensions	19¾	41	¾
W4242*	Cabinet Dimensions	42	42	12
	Door Dimensions	20¾	41	¾

* W3942 & W4242 available in Shaker White (SW) only

• W3942 & W4242 include center stile

PRODUCT SPECIFICATIONS

Diagonal Corner Wall Cabinets

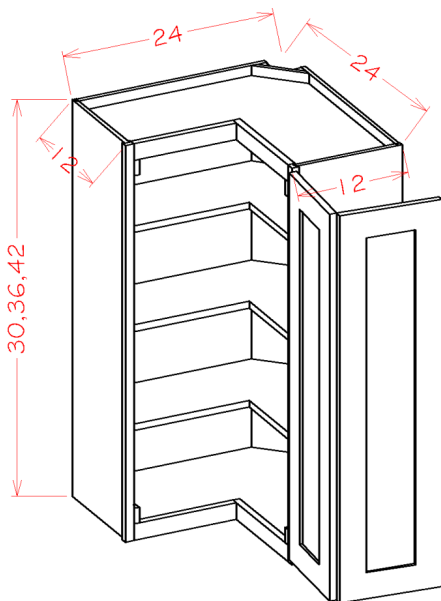


Model	Description	Width	Height	Depth
DCW2430	Cabinet Dimensions	24	30	12
	Door Dimensions	15¼	29	¾
DCW2436	Cabinet Dimensions	24	36	12
	Door Dimensions	15¼	35	¾
DCW2442	Cabinet Dimensions	24	42	12
	Door Dimensions	15¼	41	¾

- Inside Opening: 12½" W
- 30" and 36" H cabinets have two inner shelves

32

Wall Easy Reach

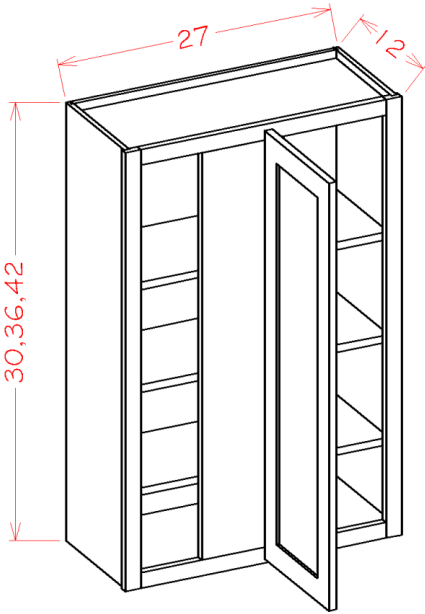


Model	Description	Width	Height	Depth
WER2430	Cabinet Dimensions	24	30	12
	Door Dimensions	10⅝	29	¾
WER2436	Cabinet Dimensions	24	36	12
	Door Dimensions	10⅝	35	¾
WER2442	Cabinet Dimensions	24	42	12
	Door Dimensions	10⅝	41	¾

- 30" and 36" H cabinets have two inner shelves

PRODUCT SPECIFICATIONS

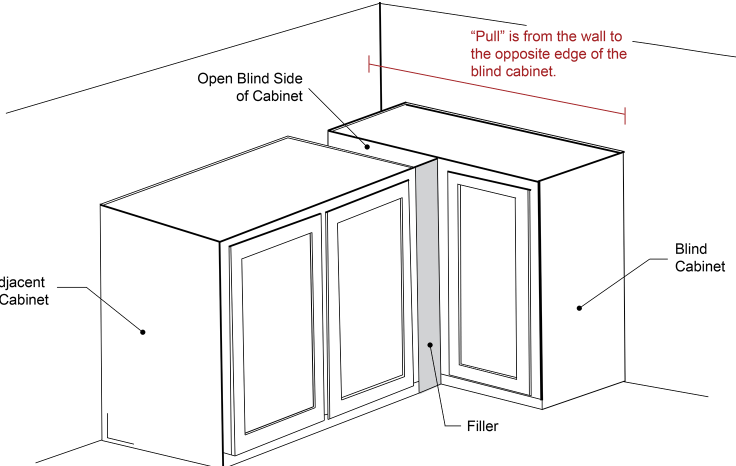
Wall Blind Cabinets



Model	Description	Width	Height	Depth
WBC2730	Cabinet Dimensions	27	30	21
	Door Dimensions	12½	29	¾
	Blind Opening	6	26½	12
	Door Opening	9½	26½	12
WBC2736	Cabinet Dimensions	27	36	12
	Door Dimensions	12½	35	¾
	Blind Opening	6	32½	12
	Door Opening	9½	32½	12
WBC2742	Cabinet Dimensions	27	42	12
	Door Dimensions	12½	41	¾
	Blind Opening	6	38½	12
	Door Opening	9½	38½	12

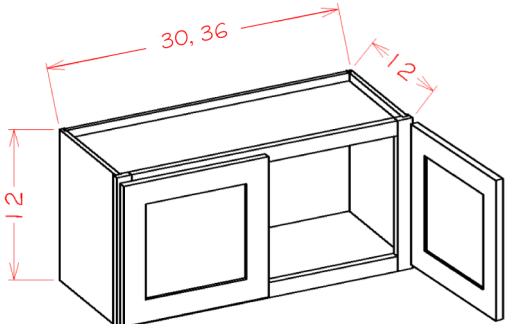
Box Size	Min	Max	Stile
27	28	31	8

- Must Use Filler (purchased separately)



33

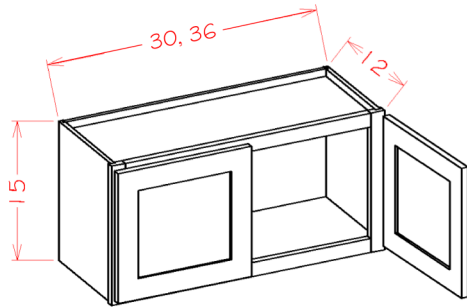
Bridge Cabinets - 12" High



Model	Description	Width	Height	Depth
W3012	Cabinet Dimensions	30	12	12
	Door Dimensions	14¾	11	¾
W3612	Cabinet Dimensions	36	12	12
	Door Dimensions	17¾	11	¾

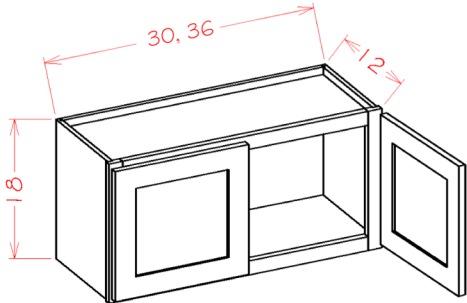
PRODUCT SPECIFICATIONS

Bridge Cabinets - 15" High



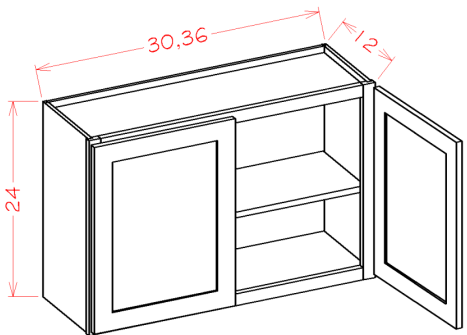
Model	Description	Width	Height	Depth
W3015	Cabinet Dimensions	30	15	12
	Door Dimensions	14 ³ / ₄	14	³ / ₄
W3615	Cabinet Dimensions	36	15	12
	Door Dimensions	17 ³ / ₄	14	³ / ₄

Bridge Cabinets - 18" High



Model	Description	Width	Height	Depth
W3018	Cabinet Dimensions	30	18	12
	Door Dimensions	14 ³ / ₄	17	³ / ₄
W3618	Cabinet Dimensions	36	18	12
	Door Dimensions	17 ³ / ₄	17	³ / ₄

Bridge Cabinets - 24" High

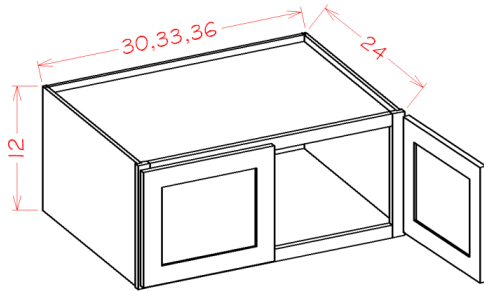


Model	Description	Width	Height	Depth
W3024	Cabinet Dimensions	30	24	12
	Door Dimensions	14 ³ / ₄	23	³ / ₄
W3624	Cabinet Dimensions	36	24	12
	Door Dimensions	17 ³ / ₄	23	³ / ₄

- All 24" H cabinets include one inner shelf

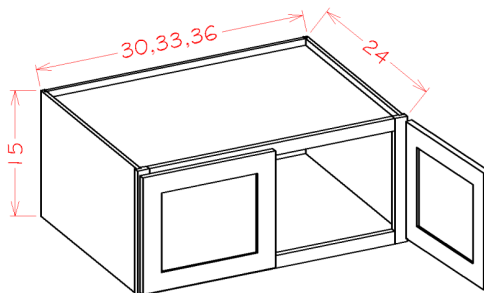
PRODUCT SPECIFICATIONS

Wall Refrigerator Cabinets - 12" H (24" Deep)



Model	Description	Width	Height	Depth
W301224	Cabinet Dimensions	30	12	24
	Door Dimensions	14 ³ / ₄	11	³ / ₄
W331224	Cabinet Dimensions	33	12	24
	Door Dimensions	16 ¹ / ₂	11	³ / ₄
W361224	Cabinet Dimensions	36	12	24
	Door Dimensions	17 ³ / ₄	11	³ / ₄

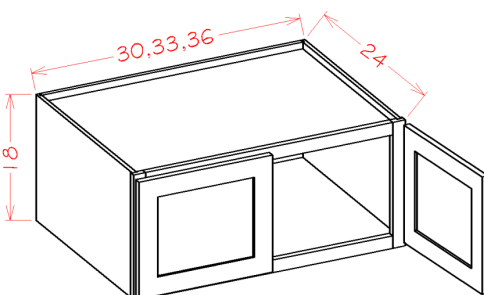
Wall Refrigerator Cabinets - 15" H (24" Deep)



Model	Description	Width	Height	Depth
W301524	Cabinet Dimensions	30	15	24
	Door Dimensions	14 ³ / ₄	14	³ / ₄
W331524	Cabinet Dimensions	33	15	24
	Door Dimensions	16 ¹ / ₂	14	³ / ₄
W361524	Cabinet Dimensions	36	15	24
	Door Dimensions	17 ³ / ₄	14	³ / ₄

35

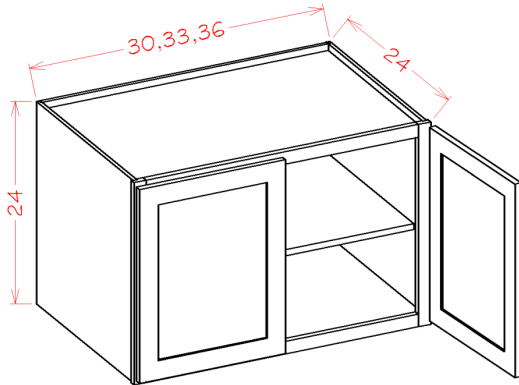
Wall Refrigerator Cabinets - 18" H (24" Deep)



Model	Description	Width	Height	Depth
W301824	Cabinet Dimensions	30	18	24
	Door Dimensions	14 ³ / ₄	17	³ / ₄
W331824	Cabinet Dimensions	33	18	24
	Door Dimensions	16 ¹ / ₂	17	³ / ₄
W361824	Cabinet Dimensions	36	18	24
	Door Dimension	17 ³ / ₄	17	³ / ₄

PRODUCT SPECIFICATIONS

Wall Refrigerator Cabinets - 24" H (24" Deep)

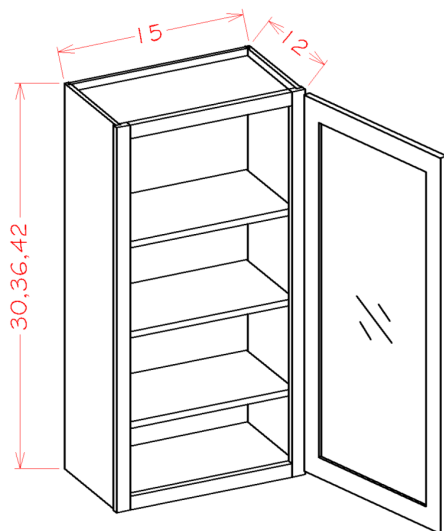


Model	Description	Width	Height	Depth
W302424	Cabinet Dimensions	30	24	24
	Door Dimensions	14 ³ / ₄	23	³ / ₄
W332424	Cabinet Dimensions	33	24	24
	Door Dimensions	16 ¹ / ₂	23	³ / ₄
W362424	Cabinet Dimensions	36	24	24
	Door Dimensions	17 ³ / ₄	23	³ / ₄

- All 24" H cabinets include one inner shelf

36

Single Glass Door Wall Cabinets - Routed for Glass with Finished Interior

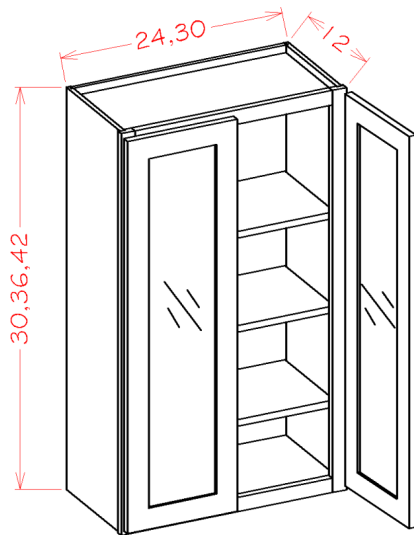


Model	Description	Width	Height	Depth
W1530GD	Cabinet Dimensions	15	30	12
	Door Dimensions	14 ¹ / ₂	29	³ / ₄
W1536GD	Cabinet Dimensions	15	36	12
	Door Dimensions	14 ¹ / ₂	35	³ / ₄
W1542GD	Cabinet Dimensions	15	42	12
	Door Dimensions	14 ¹ / ₂	41	³ / ₄

- These cabinets do not come with mullions or glass
- The interior is painted/stained to match the exterior
- Shaker Unfinished (SU) interior is unfinished

PRODUCT SPECIFICATIONS

Double Glass Door Wall Cabinets - Routed for Glass with Finished Interior

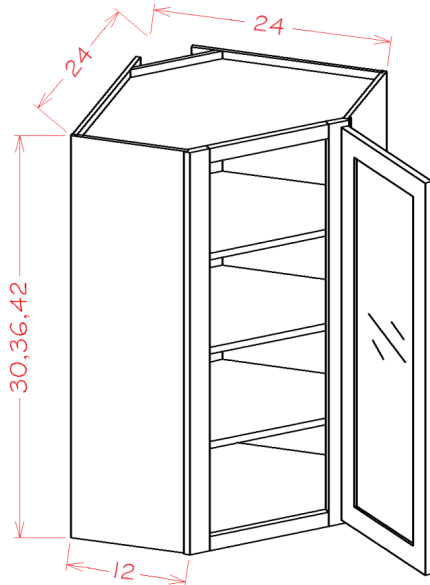


Model	Description	Width	Height	Depth
W2430GD	Cabinet Dimensions	24	30	12
	Door Dimensions	11 ³ / ₄	29	³ / ₄
W2436GD	Cabinet Dimensions	24	36	12
	Door Dimensions	11 ³ / ₄	35	³ / ₄
W2442GD	Cabinet Dimensions	24	42	12
	Door Dimensions	11 ³ / ₄	41	³ / ₄
W3030GD	Cabinet Dimensions	30	30	12
	Door Dimensions	14 ³ / ₄	29	³ / ₄
W3036GD	Cabinet Dimensions	30	36	12
	Door Dimensions	14 ³ / ₄	35	³ / ₄
W3042GD	Cabinet Dimensions	30	42	12
	Door Dimensions	14 ³ / ₄	41	³ / ₄

- These cabinets do not come with mullions or glass
- The interior is painted/stained to match the exterior
- Shaker Unfinished (SU) interior is unfinished

37

Glass Door Diagonal Corner Wall Cabinets - Routed for Glass with Finished Interior

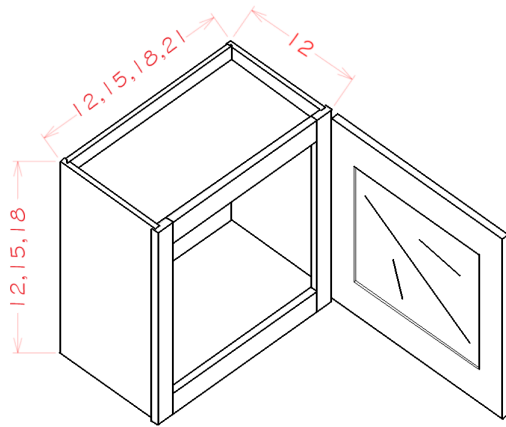


Model	Description	Width	Height	Depth
DCW2430GD	Cabinet Dimensions	24	30	12
	Door Dimensions	15 ¹ / ₄	29	³ / ₄
DCW2436GD	Cabinet Dimensions	24	36	12
	Door Dimensions	15 ¹ / ₄	35	³ / ₄
DCW2442GD	Cabinet Dimensions	24	42	12
	Door Dimensions	15 ¹ / ₄	41	³ / ₄

- Inside Opening; 12¹/₈" W
- These cabinets do not come with mullions or glass
- The interior is painted/stained to match the exterior
- Shaker Unfinished (SU) interior is unfinished

PRODUCT SPECIFICATIONS

Single Glass Door Wall Stacker Cabinets - Routed for Glass with Finished Interior

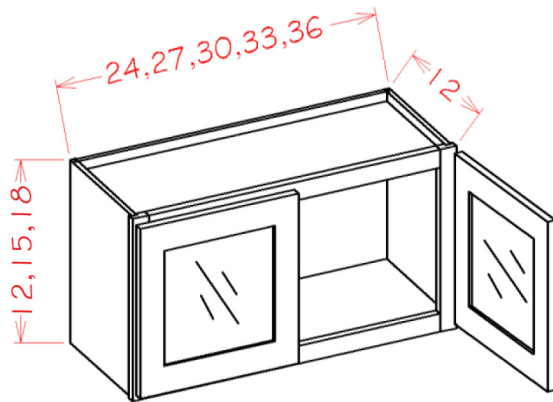


Model	Description	Width	Height	Depth
W1212GD	Cabinet Dimensions	12	12	12
	Door Dimensions	11½	11	¾
W1512GD	Cabinet Dimensions	15	12	12
	Door Dimensions	14½	11	¾
W1812GD	Cabinet Dimensions	18	12	12
	Door Dimensions	17½	11	¾
W2112GD	Cabinet Dimensions	21	12	12
	Door Dimensions	20½	11	¾
W1215GD	Cabinet Dimensions	12	15	12
	Door Dimensions	11½	14	¾
W1515GD	Cabinet Dimensions	15	15	12
	Door Dimensions	14½	14	¾
W1815GD	Cabinet Dimensions	18	15	12
	Door Dimensions	17½	14	¾
W2115GD	Cabinet Dimensions	21	15	12
	Door Dimensions	20½	14	¾
W1218GD	Cabinet Dimensions	12	18	12
	Door Dimensions	11½	17	¾
W1518GD	Cabinet Dimensions	15	18	12
	Door Dimensions	14½	17	¾
W1818GD	Cabinet Dimensions	18	18	12
	Door Dimensions	17½	17	¾
W2118GD	Cabinet Dimensions	21	18	12
	Door Dimensions	20½	17	¾

- These cabinets do not come with mullions or glass
- The interior is painted/stained to match the exterior
- Shaker Unfinished (SU) interior is unfinished

PRODUCT SPECIFICATIONS

Double Glass Door Wall Stacker Cabinets - Routed for Glass with Finished Interior

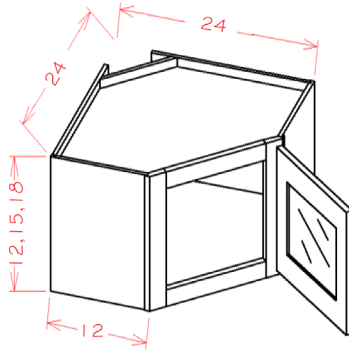


Model	Description	Width	Height	Depth
W2412GD	Cabinet Dimensions	24	12	12
	Door Dimensions	11 ³ / ₄	11	³ / ₄
W2712GD	Cabinet Dimensions	27	12	12
	Door Dimensions	13 ³ / ₄	11	³ / ₄
W3012GD	Cabinet Dimensions	30	12	12
	Door Dimensions	14 ³ / ₄	11	³ / ₄
W3312GD	Cabinet Dimensions	33	12	12
	Door Dimensions	16 ¹ / ₄	11	³ / ₄
W3612GD	Cabinet Dimensions	36	12	12
	Door Dimensions	17 ³ / ₄	11	³ / ₄
W2415GD	Cabinet Dimensions	24	15	12
	Door Dimensions	11 ³ / ₄	14	³ / ₄
W2715GD	Cabinet Dimensions	27	15	12
	Door Dimensions	13 ³ / ₄	14	³ / ₄
W3015GD	Cabinet Dimensions	30	15	12
	Door Dimensions	14 ³ / ₄	14	³ / ₄
W3315GD	Cabinet Dimensions	33	15	12
	Door Dimensions	16 ¹ / ₄	14	³ / ₄
W3615GD	Cabinet Dimensions	36	15	12
	Door Dimensions	17 ³ / ₄	14	³ / ₄
W2418GD	Cabinet Dimensions	24	18	12
	Door Dimensions	11 ³ / ₄	17	³ / ₄
W2718GD	Cabinet Dimensions	27	18	12
	Door Dimensions	13 ³ / ₄	17	³ / ₄
W3018GD	Cabinet Dimensions	30	18	12
	Door Dimensions	14 ³ / ₄	17	³ / ₄
W3318GD	Cabinet Dimensions	33	18	12
	Door Dimensions	16 ¹ / ₄	17	³ / ₄
W3618GD	Cabinet Dimensions	36	18	12
	Door Dimensions	17 ³ / ₄	17	³ / ₄

- These cabinets do not come with mullions or glass
- The interior is painted/stained to match the exterior
- Shaker Unfinished (SU) interior is unfinished

PRODUCT SPECIFICATIONS

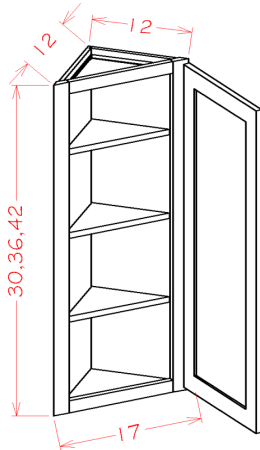
Glass Door Diagonal Wall Stacker Cabinets - Routed for Glass with Finished Interior



Model	Description	Width	Height	Depth
DCW2412GD	Cabinet Dimensions	24	12	12
	Door Dimensions	15 $\frac{1}{4}$	11	$\frac{3}{4}$
DCW2415GD	Cabinet Dimensions	24	15	12
	Door Dimensions	15 $\frac{1}{4}$	14	$\frac{3}{4}$
DCW2418GD	Cabinet Dimensions	24	18	12
	Door Dimensions	15 $\frac{1}{4}$	17	$\frac{3}{4}$

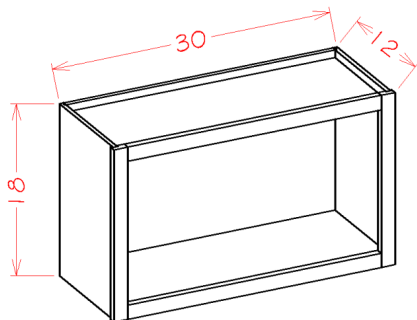
- Inside Opening; 12 $\frac{1}{8}$ " W
- These cabinets do not come with mullions or glass
- The interior is painted/stained to match the exterior
- Shaker Unfinished (SU) interior is unfinished

Specialty Walls - Angle Wall



Model	Description	Width	Height	Depth
AW1230	Cabinet Dimensions	12	30	12
	Door Dimensions	16 $\frac{1}{8}$	29	$\frac{3}{4}$
AW1236	Cabinet Dimensions	12	36	12
	Door Dimensions	16 $\frac{1}{8}$	35	$\frac{3}{4}$
AW1242	Cabinet Dimensions	12	42	12
	Door Dimensions	16 $\frac{1}{8}$	41	$\frac{3}{4}$

Specialty Walls - Wall Open Cabinet

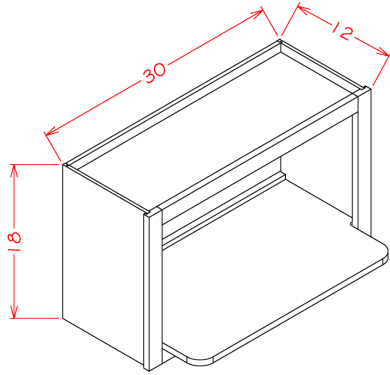


Model	Description	Width	Height	Depth
WOC3018	Cabinet Dimensions	30	18	12

- Matching Interior

PRODUCT SPECIFICATIONS

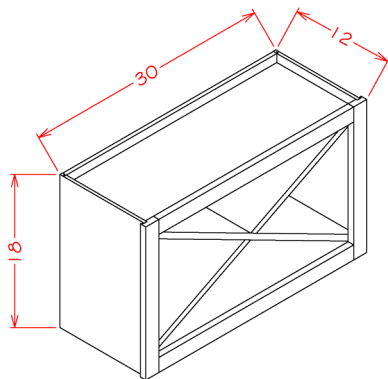
Specialty Walls- Wall Microwave Cabinet Kits



Model	Description	Width	Height	Depth
WMS3018	Cabinet Dimensions	30	18	12
	Shelf Dimensions	26½	¾	17

- Two boxes will be received when ordering this cabinet kit flat pack
- Shelf insert available for individual purchase, SKU: WMSSHELF

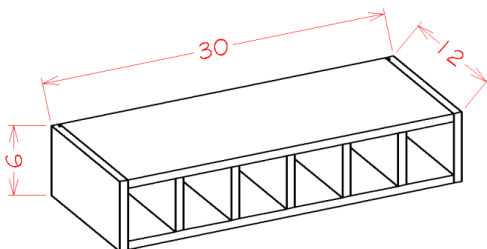
Specialty Walls - Wall X Rack Cabinet Kit



Model	Description	Width	Height	Depth
WXR3018	Cabinet Dimensions	30	18	12
	Shelf Dimensions	26½	14½	11

- Two boxes will be received when ordering this cabinet kit flat pack
- Shelf insert available for individual purchase, SKU: WXRSHSELF

Wall Accessory Cabinets - Wine Cubby

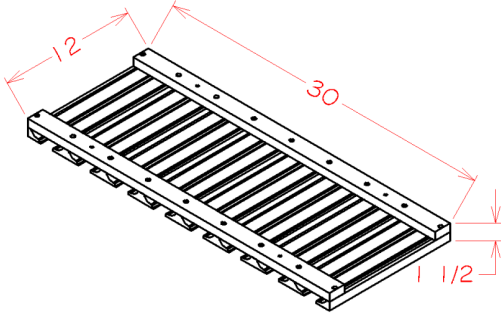


Model	Description	Width	Height	Depth
WWC630	Cabinet Dimensions	30	6	12

- Fits 6 bottles

PRODUCT SPECIFICATIONS

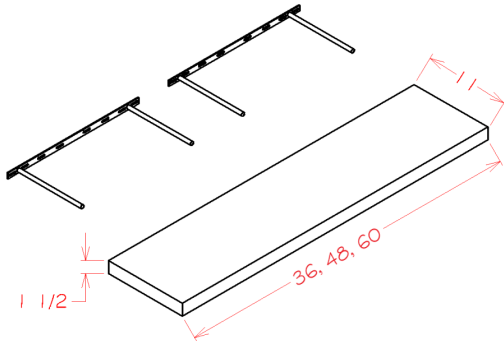
Specialty Walls - Stem Glass Holder



Model	Description	Width	Height	Depth
SGH30	Dimensions	30	1½	12

- Allows for stemmed glasses with bases up to 3" W

Specialty Walls - Floating Shelves

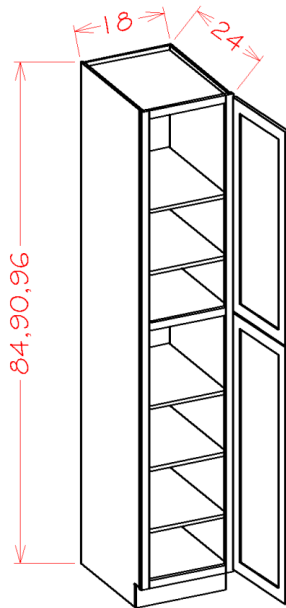


Model	Description	Width	Height	Depth
FS36	Shelf Dimensions	36	1½	11
FS48	Shelf Dimensions	48	1½	11
FS60	Shelf Dimensions	60	1½	11

- 36" W floating shelf only has one mounting bracket
- Recommended Max Weight: 25lbs

PRODUCT SPECIFICATIONS

Utility Cabinets - Two Doors

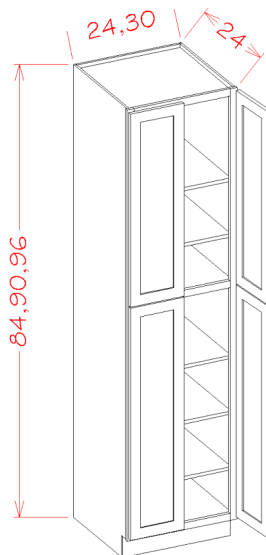


Model	Description	Width	Height	Depth
U188424	Cabinet Dimensions	18	84	24
	Top Door Dimensions	17½	29	¾
	Bottom Door Dimensions	17½	49¼	¾
U189024	Cabinet Dimensions	18	90	24
	Top Door Dimensions	17½	35	¾
	Bottom Door Dimensions	17½	49¼	¾
U189624	Cabinet Dimensions	18	96	24
	Top Door Dimensions	17½	41	¾
	Bottom Door Dimensions	17½	49¼	12

- Shaker, Edgeline, Oxford, & Haven doors have a horizontal rail in the center of the bottom door

43

Utility Cabinets - Four Doors

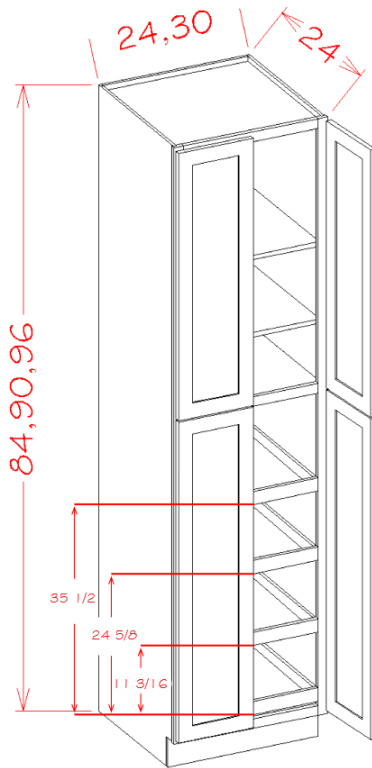


Model	Description	Width	Height	Depth
U248424	Cabinet Dimensions	24	84	24
	Top Door Dimensions	11¾	29	¾
	Bottom Door Dimensions	11¾	49¼	¾
U249024	Cabinet Dimensions	24	90	24
	Top Door Dimensions	11¾	35	¾
	Bottom Door Dimensions	11¾	49¼	¾
U249624	Cabinet Dimensions	24	96	24
	Top Door Dimensions	11¾	41	¾
	Bottom Door Dimensions	11¾	49¼	¾
U308424	Cabinet Dimensions	30	84	24
	Top Door Dimensions	14¾	29	¾
	Bottom Door Dimensions	14¾	49¼	¾
U309024	Cabinet Dimensions	30	90	24
	Top Door Dimensions	14¾	35	¾
	Bottom Door Dimensions	14¾	49¼	¾
U309624	Cabinet Dimensions	30	96	24
	Top Door Dimensions	14¾	41	¾
	Bottom Door Dimensions	14¾	49¼	¾

- Shaker, Edgeline, Oxford, & Haven doors have a horizontal rail in the center of the bottom door

PRODUCT SPECIFICATIONS

Accessory Tall Cabinets - Four Door Utility Four Rollout Shelf Cabinet Kit

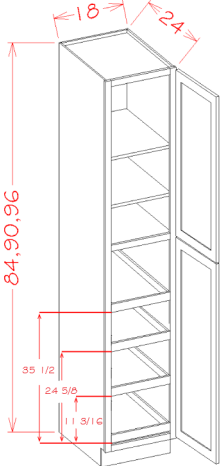


Model	Description	Width	Height	Depth
U2484244RS	Cabinet Dimensions	24	84	24
	Top Door Dimensions	11 ³ / ₄	29	³ / ₄
	Bottom Door Dimensions	11 ³ / ₄	49 ¹ / ₄	³ / ₄
	Rollout Shelf	19 ¹ / ₂	3 ³ / ₈	20 ⁷ / ₁₆
U2490244RS	Cabinet Dimensions	24	90	24
	Top Door Dimensions	11 ³ / ₄	35	³ / ₄
	Bottom Door Dimensions	11 ³ / ₄	49 ¹ / ₄	³ / ₄
	Rollout Shelf	19 ¹ / ₂	3 ³ / ₈	20 ⁷ / ₁₆
U2496244RS	Cabinet Dimensions	24	96	24
	Top Door Dimensions	11 ³ / ₄	41	³ / ₄
	Bottom Door Dimensions	11 ³ / ₄	49 ¹ / ₄	³ / ₄
	Rollout Shelf	19 ¹ / ₂	3 ³ / ₈	20 ⁷ / ₁₆
U3084244RS	Cabinet Dimensions	30	84	24
	Top Door Dimensions	14 ³ / ₄	29	³ / ₄
	Bottom Door Dimensions	14 ³ / ₄	49 ¹ / ₄	³ / ₄
	Rollout Shelf	25 ³ / ₈	3 ³ / ₈	20 ⁷ / ₁₆
U3090244RS	Cabinet Dimensions	30	90	24
	Top Door Dimensions	14 ³ / ₄	35	³ / ₄
	Bottom Door Dimensions	14 ³ / ₄	49 ¹ / ₄	³ / ₄
	Rollout Shelf	25 ³ / ₈	3 ³ / ₈	20 ⁷ / ₁₆
U3096244RS	Cabinet Dimensions	30	96	24
	Top Door Dimensions	14 ³ / ₄	41	³ / ₄
	Bottom Door Dimensions	14 ³ / ₄	49 ¹ / ₄	³ / ₄
	Rollout Shelf	25 ³ / ₈	3 ³ / ₈	20 ⁷ / ₁₆

- Shaker, Edgeline, Oxford, & Haven doors have a horizontal rail in the center of the bottom door
- Assembled cabinets with Rollout Shelf kits are ONLY installed as indicated in the line drawing
- Five boxes will be received when ordering this cabinet kit flat pack
- Rollout Shelf glides are side mounted ball bearing with no soft close

PRODUCT SPECIFICATIONS

Accessory Tall Cabinets - Two Door Utility Four Rollout Shelf Cabinet Kit

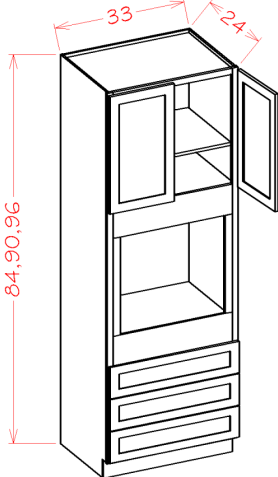


Model	Description	Width	Height	Depth
U188424RS	Cabinet Dimensions	18	84	24
	Top Door Dimensions	17½	29	¾
	Bottom Door Dimensions	17½	49¼	¾
	Rollout Shelf	13¾	3¾	20 ⁷ / ₁₆
U189024RS	Cabinet Dimensions	18	90	24
	Top Door Dimensions	17½	35	¾
	Bottom Door Dimensions	17½	49¼	¾
	Rollout Shelf	13¾	3¾	20 ⁷ / ₁₆
U189624RS	Cabinet Dimensions	18	96	24
	Top Door Dimensions	17½	41	¾
	Bottom Door Dimensions	17½	49¼	¾
	Rollout Shelf	13¾	3¾	20 ⁷ / ₁₆

- Shaker, Edgeline, Oxford, & Haven doors have a horizontal rail in the center of the bottom door
- Assembled cabinets with Rollout Shelf kits are ONLY installed as indicated in the line drawing
- Five boxes will be received when ordering this cabinet kit flat pack
- Rollout Shelf glides are side mounted ball bearing with no soft close
- Rollout Shelf Recommended Max Weight: 35lbs

45

Oven Cabinets

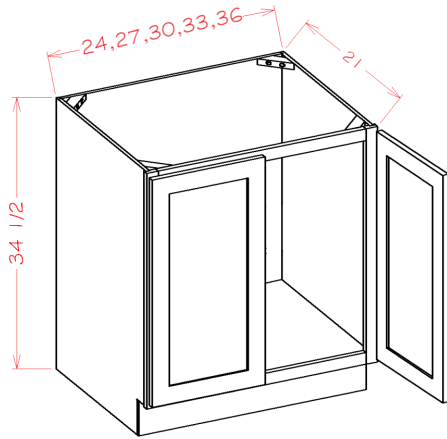


Model	Description	Width	Height	Depth
O338424	Cabinet Dimensions	33	84	24
	Door Dimensions	16¼	17	¾
	Drawer Fronts	32½	7¾	¾
	Drawer Boxes	29	5⅛	20 ³ / ₈
	Top Opening	29½	14½	22 ³ / ₄
	Oven Opening	26½	24½	22 ³ / ₄
	Drawer Openings	29½	6¼	22 ³ / ₄
	Trimmable Panels	29½	7½	¾
O339024	Cabinet Dimensions	33	90	24
	Door Dimensions	16¼	23	¾
	Drawer Fronts	32½	7¾	¾
	Drawer Boxes	29	5⅛	20 ³ / ₈
	Top Opening	29½	20½	22 ³ / ₄
	Oven Opening	26½	24¼	22 ³ / ₄
	Drawer Openings	29½	6¼	22 ³ / ₄
	Trimmable Panels	29½	7½	¾
O339624	Cabinet Dimensions	33	96	24
	Door Dimensions	16¼	29	¾
	Drawer Fronts	32½	7¾	¾
	Drawer Boxes	29	5⅛	20 ³ / ₈
	Top Opening	29½	26½	22 ³ / ₄
	Oven Opening	26½	24½	22 ³ / ₄
	Drawer Openings	29½	6¼	22 ³ / ₄
	Trimmable Panels	29½	7½	¾

- Oven opening can be modified to accommodate a double oven.
- Height up to 51¾" (approx) with removal of top two drawers/cut down of top rail.
- Width up to 31½" (approx) with cut down of stiles.

PRODUCT SPECIFICATIONS

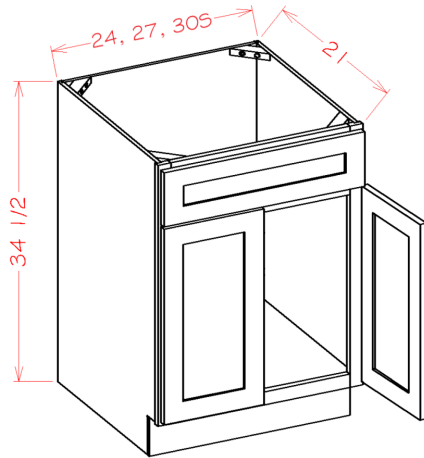
Vanity Sink Bases - Full Height Double Door



Model	Description	Width	Height	Depth
VS24FH	Cabinet Dimensions	24	34½	21
	Door Dimensions	11¾	29	¾
VS27FH	Cabinet Dimensions	27	34½	21
	Door Dimensions	13¾	29	¾
VS30FH	Cabinet Dimensions	30	34½	21
	Door Dimensions	14¾	29	¾
VS33FH	Cabinet Dimensions	33	34½	21
	Door Dimensions	16¼	29	¾
VS36FH	Cabinet Dimensions	36	34½	21
	Door Dimensions	17¾	29	¾

46

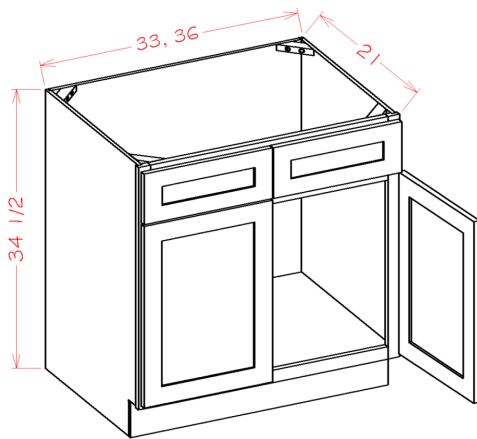
Vanity Sink Bases - Double Door Single False Drawer Front



Model	Description	Width	Height	Depth
VS24	Cabinet Dimensions	24	34½	21
	Door Dimensions	11¾	22½	¾
	Drawer Front	23½	6¼	¾
VS27	Cabinet Dimensions	27	34½	21
	Door Dimensions	13¾	22½	¾
	Drawer Front	26½	6¼	¾
VS30S	Cabinet Dimensions	30	34½	21
	Door Dimensions	14¾	22½	¾
	Drawer Front	29½	6¼	¾

PRODUCT SPECIFICATIONS

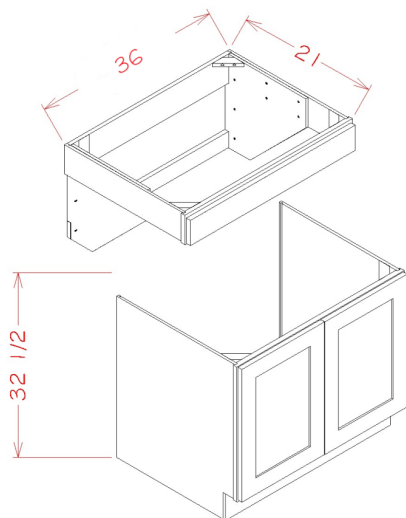
Vanity Sink Bases - Double Door Double False Drawer Front



Model	Description	Width	Height	Depth
VS33	Cabinet Dimensions	33	34½	21
	Door Dimensions	16¼	22½	¾
	Drawer Front	16¼	6¼	¾
VS36	Cabinet Dimensions	36	34½	21
	Door Dimensions	17¾	22½	¾
	Drawer Front	17¾	6¼	¾

47

Vanity Sink ADA Base Cabinet



Model	Description	Width	Height	Depth
VS36ADA*	Cabinet Dimensions	36	32½	21
	Door Dimensions	17¾	22½	¾

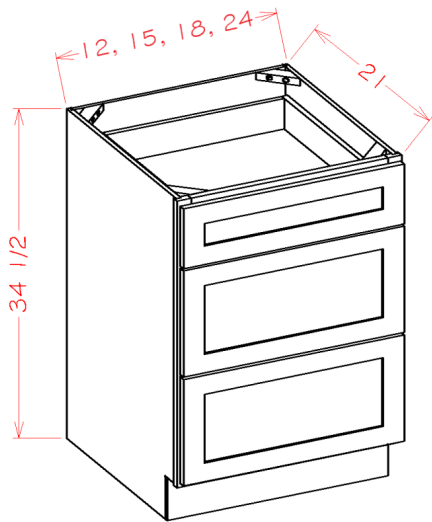
* Available in Shaker White (SW) only

- The VS36ADA features a two-piece configuration, allowing installation as a complete unit or without the base to accommodate wheelchair accessibility
- The false drawer front is constructed as a single slab



PRODUCT SPECIFICATIONS

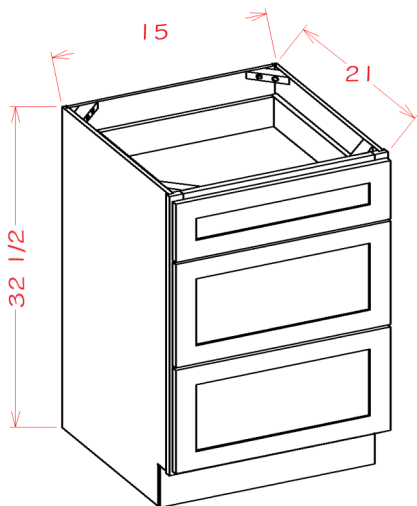
Vanity Drawer Bases



Model	Description	Width	Height	Depth
3VDB12	Cabinet Dimensions	12	34½	21
	Top Drawer Front	11½	6¼	¾
	Bot/Mid Drawer Front	11½	11⅛	¾
	Top Drawer Box	8	3¾	17¾
3VDB15	Cabinet Dimensions	15	34½	21
	Top Drawer Front	14½	6¼	¾
	Bot/Mid Drawer Front	14½	11⅛	¾
	Top Drawer Box	11	3¾	17¾
3VDB18	Cabinet Dimensions	18	34½	21
	Top Drawer Front	17½	6¼	¾
	Bot/Mid Drawer Front	17½	11⅛	¾
	Top Drawer Box	14	3¾	17¾
3VDB24	Cabinet Dimensions	24	34½	21
	Top Drawer Front	23½	6¼	¾
	Bot/Mid Drawer Front	23½	11⅛	¾
	Top Drawer Box	20	3¾	17¾
3VDB24	Bottom Drawer Box	20	8¼	17¾

48

Vanity Drawer ADA Base Cabinet



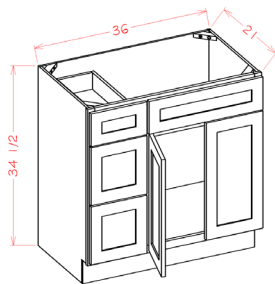
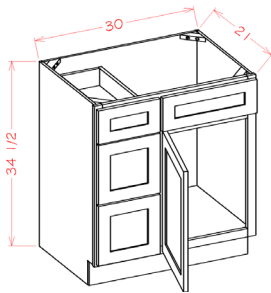
Model	Description	Width	Height	Depth
3VDB15ADA*	Cabinet Dimensions	15	32½	21
	Top Drawer Front	14½	6¼	¾
	Bot/Mid Drawer Front	14½	10⅛	¾
	Top Drawer Box	11	3¾	20¾
	Bottom Drawer Box	11	8¼	20¾

* Available in Shaker White (SW) only



PRODUCT SPECIFICATIONS

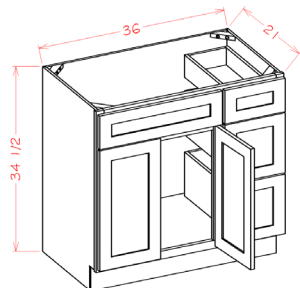
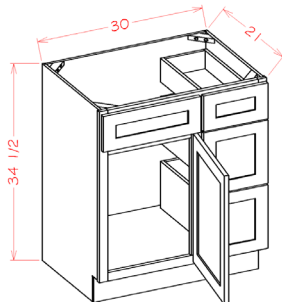
Vanity Combo Bases - Drawers Left



Model	Description	Width	Height	Depth
V3021DL	Cabinet Dimensions	30	34½	21
	Top Drawer Front	11½	6¼	¾
	Bot/Mid Drawer Front	11½	11⅛	¾
	Top Long Drawer Front	17½	6¼	¾
	Top Drawer Box	8	3⅜	17⅜
	Bot/Mid Drawer Box	8	8¼	17⅜
	Door Dimensions	17½	22½	¾
V3621DL	Cabinet Dimensions	36	34½	21
	Top Drawer Front	11½	6¼	¾
	Bot/Mid Drawer Front	11½	11⅛	¾
	Top Long Drawer Front	23½	3⅜	¾
	Top Drawer Box	8	8¼	17⅜
	Bot/Mid Drawer Box	8	8¼	17⅜
	Door Dimensions	11¾	22½	¾

49

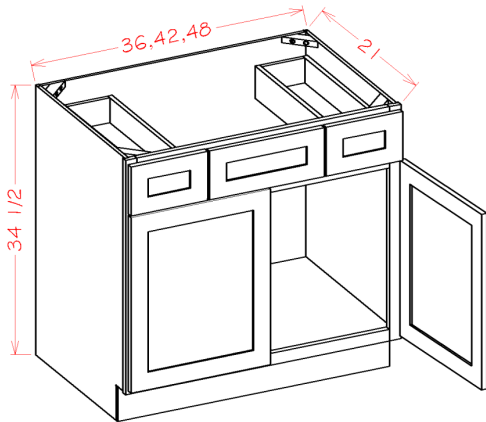
Vanity Combo Bases - Drawers Right



Model	Description	Width	Height	Depth
V3021DR	Cabinet Dimensions	30	34½	21
	Top Drawer Front	11½	6¼	¾
	Bot/Mid Drawer Front	11½	11⅛	¾
	Top Long Drawer Front	17½	6¼	¾
	Top Drawer Box	8	3⅜	17⅜
	Bot/Mid Drawer Box	8	8¼	17⅜
	Door Dimensions	17½	22½	¾
V3621DR	Cabinet Dimensions	36	34½	21
	Top Drawer Front	11½	6¼	¾
	Bot/Mid Drawer Front	11½	11⅛	¾
	Top Long Drawer Front	23½	3⅜	¾
	Top Drawer Box	8	8¼	17⅜
	Bot/Mid Drawer Box	8	8¼	17⅜
	Door Dimensions	11¾	22½	¾

PRODUCT SPECIFICATIONS

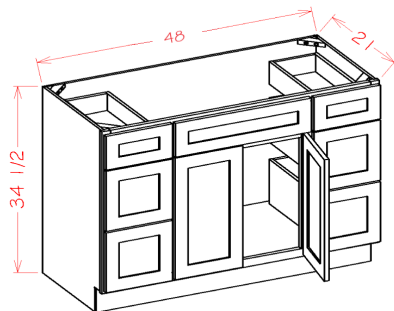
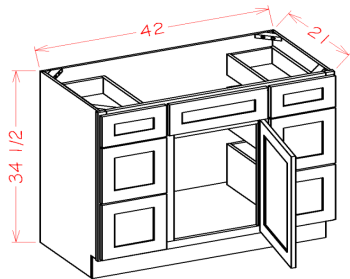
Vanity Combo Bases



Model	Description	Width	Height	Depth
VSD36	Cabinet Dimensions	36	34½	21
	Door Dimensions	17¾	22½	¾
	Outside Drawer Front	10¼	6¼	¾
	Center Drawer Front	14½	6¼	¾
	Drawer Box	7¾	3¾	17¾
VSD42	Cabinet Dimensions	42	34½	21
	Door Dimensions	20¾	22½	¾
	Outside Drawer Front	11½	6¼	¾
	Center Drawer Front	18	6¼	¾
	Drawer Box	8¾	3¾	17¾
VSD48	Cabinet Dimensions	48	34½	21
	Door Dimensions	23¾	22½	¾
	Outside Drawer Front	14½	6¼	¾
	Center Drawer Front	18	6¼	¾
	Drawer Box	11¾	3¾	17¾

- The VSD42 & 48 have a center stile

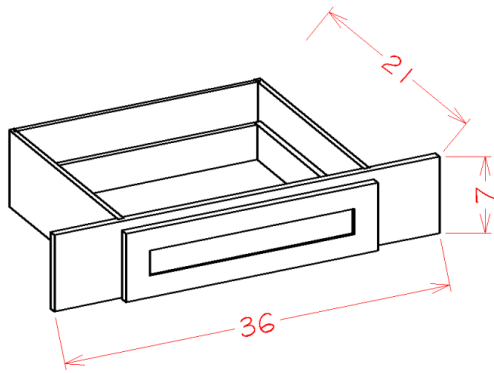
Vanity Combo Bases - Double Drawer Stack



Model	Description	Width	Height	Depth
VDDB42	Cabinet Dimensions	42	34½	21
	Door Dimensions	17⅝	22½	¾
	Top Drawer Front	11½	6¼	¾
	Bot/Mid Drawer Front	11½	11⅛	¾
	Top Long Drawer Front	17⅝	6¼	¾
	Top Drawer Box	8	3¾	17¾
	Bot/Mid Drawer Box	8	8¼	17¾
VDDB48	Cabinet Dimensions	48	34½	21
	Door Dimensions	11¾	22½	¾
	Top Drawer Front	11½	6¼	¾
	Bot/Mid Drawer Front	11½	11⅛	¾
	Top Long Drawer Front	23⅝	6¼	¾
	Top Drawer Box	8	3¾	17¾
	Bot/Mid Drawer Box	8	8¼	17¾

PRODUCT SPECIFICATIONS

Special Vanity - Vanity Knee Drawer

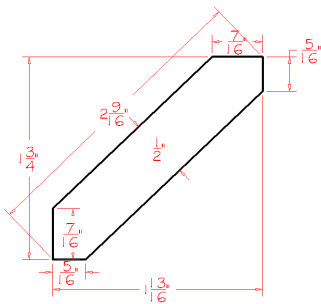


Model	Description	Width	Height	Depth
VKD36	Cabinet Dimensions	36	7	21
	Drawer Front	23½	6¼	¾
	Drawer Box	16¼	3¾	17¾

- Trimmable to 27" W

PRODUCT SPECIFICATIONS

Crown Moulding - 1 3/4" H Angled Crown Moulding

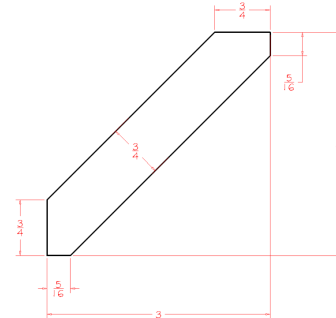


Model Description Width Height Depth

ACM8*	Dimensions	96	1 3/4	1 13/16
-------	------------	----	-------	---------

* Not available in the Casselberry style

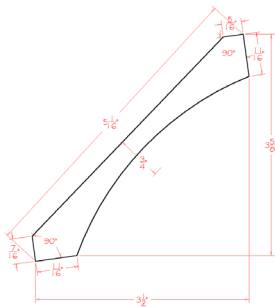
Crown Moulding - 3" H Angled Crown Moulding



Model Description Width Height Depth

LACM8	Dimensions	96	3	3
-------	------------	----	---	---

Crown Moulding - Cove Moulding

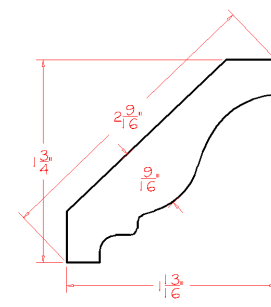


Model Description Width Height Depth

COV*	Dimensions	96	3 5/8	3 1/2
------	------------	----	-------	-------

* Not available in the Casselberry style

Crown Moulding - Classic Crown Moulding

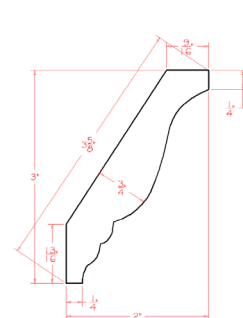


Model Description Width Height Depth

CM8*	Dimensions	96	1 3/4	1 13/16
------	------------	----	-------	---------

* Available in Casselberry only

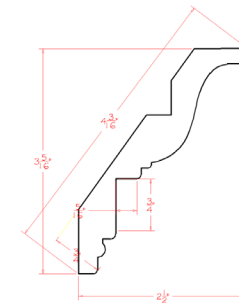
Crown Moulding - Decorative Crown Moulding



Model Description Width Height Depth

DCM	Dimensions	96	3	2
-----	------------	----	---	---

Crown Moulding - Inset Crown Moulding



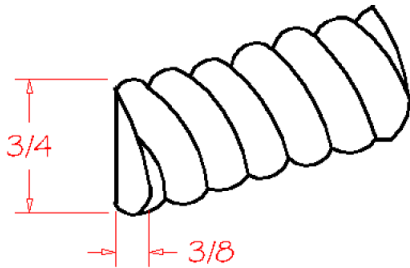
Model Description Width Height Depth

ICM*	Dimensions	96	3 5/16	2 1/2
------	------------	----	--------	-------

* Available in Casselberry only

PRODUCT SPECIFICATIONS

Crown Moulding - Rope Moulding

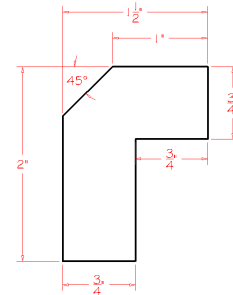


Model Description Width Height Depth

ROPE*	Dimensions	96	3/4	3/8
-------	------------	----	-----	-----

* Available in Casselberry only

Light Rail Moulding - Angled Light Rail

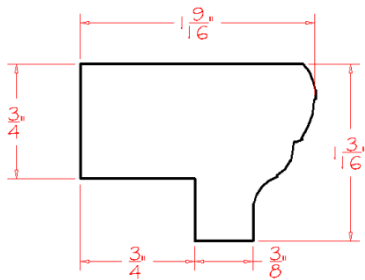


Model Description Width Height Depth

ALRM*	Dimensions	96	1 1/2	2
-------	------------	----	-------	---

* Not available in the Casselberry style

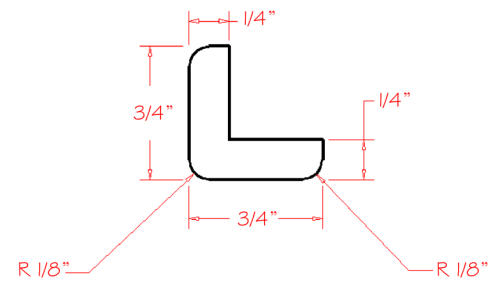
Light Rail Moulding - Beveled Light Rail



Model Description Width Height Depth

LRM	Dimensions	96	1 3/16	1 9/16
-----	------------	----	--------	--------

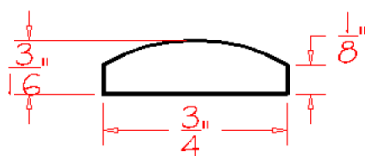
Trim - Outside Corner Moulding



Model Description Width Height Depth

OCM	Dimensions	96	3/4	3/4
-----	------------	----	-----	-----

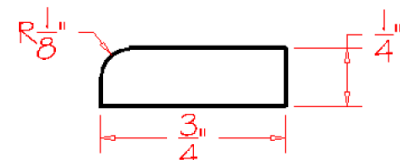
Trim - Batten Moulding



Model Description Width Height Depth

BAM	Dimensions	96	3/4	3/16
-----	------------	----	-----	------

Trim - Scribe Moulding

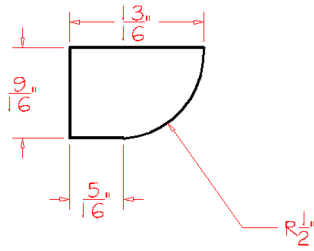


Model Description Width Height Depth

SCR	Dimensions	96	3/4	1/4
-----	------------	----	-----	-----

PRODUCT SPECIFICATIONS

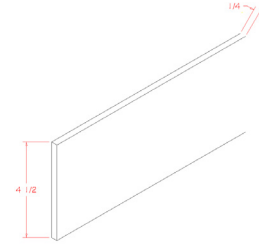
Trim - Shoe Moulding



Model Description Width Height Depth

SHM	Dimensions	96	9/16	13/16
-----	------------	----	------	-------

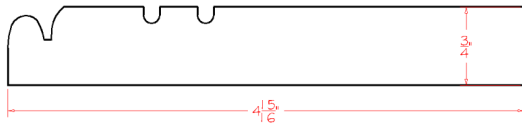
Toe Kick Mouldings - Toe Kick Cover



Model Description Width Height Depth

TKC	Dimensions	96	4 1/2	1/4
-----	------------	----	-------	-----

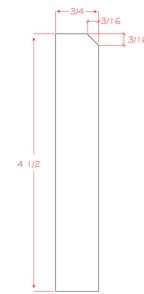
Toe Kick Mouldings - Furniture Base Moulding



Model Description Width Height Depth

FBM	Dimensions	96	4 15/16	3/4
-----	------------	----	---------	-----

Toe Kick Mouldings - Angle Furniture Base Moulding



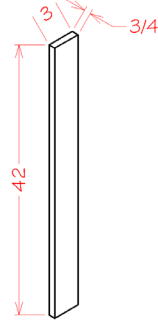
Model Description Width Height Depth

FBMS	Dimensions	96	4 1/2	3/4
------	------------	----	-------	-----

* Not available in the Casselberry style

PRODUCT SPECIFICATIONS

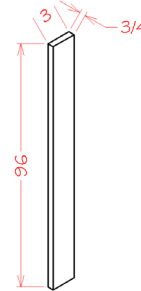
Fillers - 3" Wall/Base Filler



Model	Description	Width	Height	Depth
-------	-------------	-------	--------	-------

F342	Dimensions	3	42	3/4
------	------------	---	----	-----

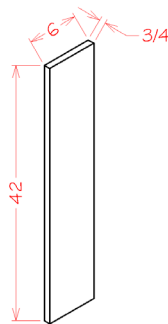
Fillers - 3" Tall Filler



Model	Description	Width	Height	Depth
-------	-------------	-------	--------	-------

F396	Dimensions	3	96	3/4
------	------------	---	----	-----

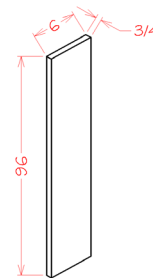
Fillers - 6" Wall/Base Filler



Model	Description	Width	Height	Depth
-------	-------------	-------	--------	-------

F642	Dimensions	6	42	3/4
------	------------	---	----	-----

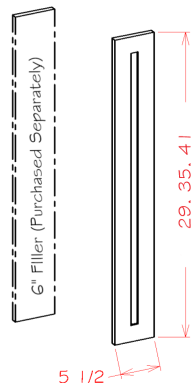
Fillers - 6" Tall Filler



Model	Description	Width	Height	Depth
-------	-------------	-------	--------	-------

F696	Dimensions	6	96	3/4
------	------------	---	----	-----

Filler Overlays



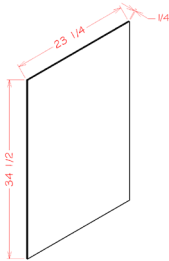
Model	Description	Width	Height	Depth
-------	-------------	-------	--------	-------

FOL630	Dimensions	5 1/2	29	3/4
FOL636	Dimensions	5 1/2	35	3/4
FOL642	Dimensions	5 1/2	41	3/4

- Filler overlays have a matching door profile
- 6" filler required for application (purchased separately)

PRODUCT SPECIFICATIONS

Panels - Base Skin Panel

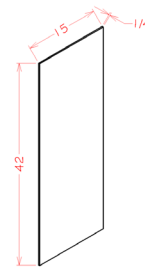


Model	Description	Width	Height	Depth
-------	-------------	-------	--------	-------

BSV	Dimensions	23 1/4	34 1/2	1/4
-----	------------	--------	--------	-----

- Only finished on one side

Panels - Wall Skin Panel

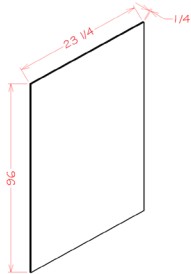


Model	Description	Width	Height	Depth
-------	-------------	-------	--------	-------

WSV42	Dimensions	15	42	1/4
-------	------------	----	----	-----

- Only finished on one side

Panels - Utility Skin Panel

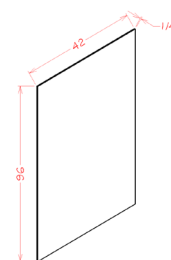


Model	Description	Width	Height	Depth
-------	-------------	-------	--------	-------

USV2496	Dimensions	23 1/4	96	1/4
---------	------------	--------	----	-----

- Only finished on one side

Panels - Long Skin Panel

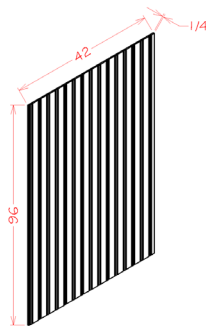


Model	Description	Width	Height	Depth
-------	-------------	-------	--------	-------

FPV4296	Dimensions	42	96	1/4
---------	------------	----	----	-----

- Grain runs long way
- Only finished on one side

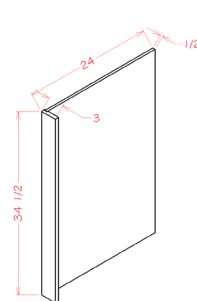
Panels - Bead Board Panel



Model	Description	Width	Height	Depth
-------	-------------	-------	--------	-------

BBFPV4296	Dimensions	42	96	1/4
-----------	------------	----	----	-----

Panels - Dishwasher Return Panel

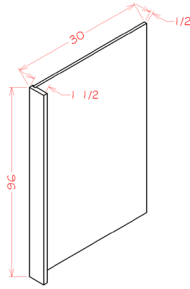


Model	Description	Width	Height	Depth
-------	-------------	-------	--------	-------

DWR3	Dimensions	3	34 1/2	24
------	------------	---	--------	----

PRODUCT SPECIFICATIONS

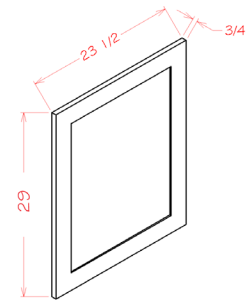
Panels - Refrigerator End Panel



Model	Description	Width	Height	Depth
REPV3096	Dimensions	1½	96	30

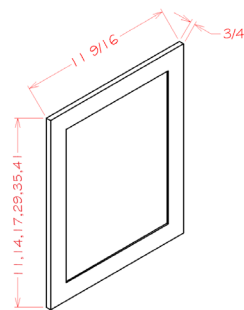
- REPVKIT available with (4) metal L-Brackets to attach the front filler piece to the panel

Panels - Base Decorative End Panel



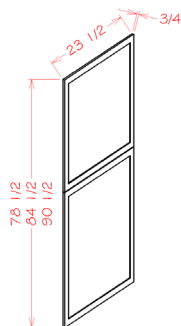
Model	Description	Width	Height	Depth
BDEP	Dimensions	23½	29	¾

Panels - Wall Decorative End Panel



Model	Description	Width	Height	Depth
WDEP1212	Dimensions	11½	11	¾
WDEP1215	Dimensions	11½	14	¾
WDEP1218	Dimensions	11½	17	¾
WDEP30	Dimensions	11½	29	¾
WDEP36	Dimensions	11½	35	¾
WDEP42	Dimensions	11½	41	¾

Panels - Tall Decorative End Panel

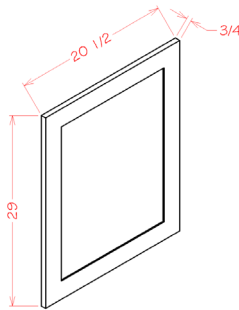


Model	Description	Width	Height	Depth
TDEP2484	Top Panel	23½	29	¾
	Bottom Panel	23½	49¼	¾
TDEP2490	Top Panel	23½	35	¾
	Bottom Panel	23½	49¼	¾
TDEP2496	Top Panel	23½	41	¾
	Bottom Panel	23½	49¼	¾

- Shaker, Oxford, Edgeline, & Haven panels have horizontal rail in the center of the bottom panel

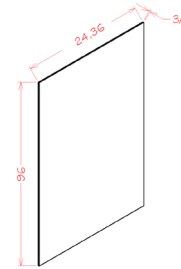
PRODUCT SPECIFICATIONS

Panels -Vanity Decorative End Panel



Model	Description	Width	Height	Depth
VDEP	Dimensions	20½	29	¾

Panels - Finished Shelf Board

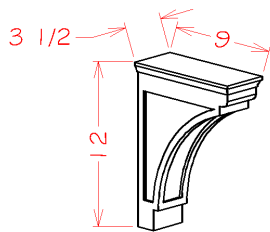


Model	Description	Width	Height	Depth
S2496	Dimensions	24	96	¾
S3696	Dimensions	36	96	¾

- One long edge banded to match
- Finished on both sides

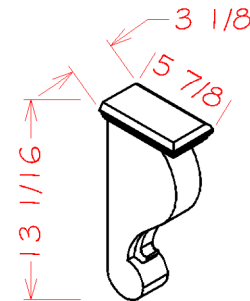
PRODUCT SPECIFICATIONS

Accent Accessories - Modern Corbel



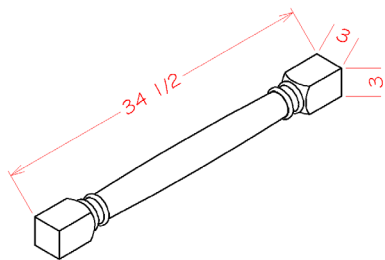
Model	Description	Width	Height	Depth
MCB	Dimensions	3½	12	9

Accent Accessories - Traditional Corbel



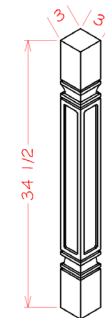
Model	Description	Width	Height	Depth
CBT	Dimensions	3⅛	13⅛	5⅞

Accent Accessories - Classic Decorative Leg



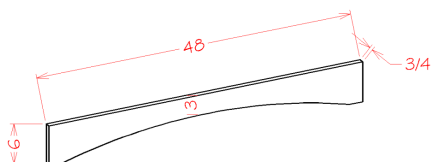
Model	Description	Width	Height	Depth
CLDL	Dimensions	3	34½	3

Accent Accessories - Square Decorative Leg



Model	Description	Width	Height	Depth
SQDL	Dimensions	3	34½	3

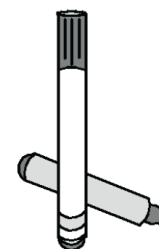
Accent Accessories - Shaker Valance



Model	Description	Width	Height	Depth
VASH48	Dimensions	48	6	¾

- Trimmable on each side by 1¼"
- Finished on both sides and two long edges

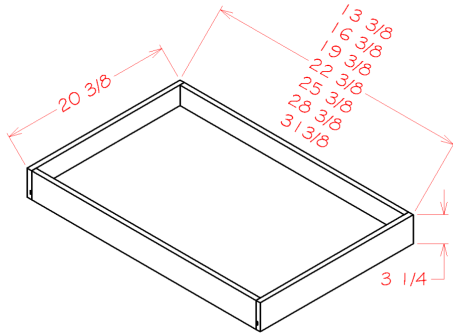
Touch Up Kit



- Available for all framed finishes
- Contains paint pen, fill stick, & application card

PRODUCT SPECIFICATIONS

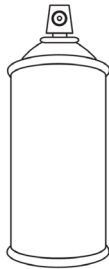
Roll Out Shelves



Model	Description	Width	Height	Depth
RS18-Type A	Dimensions	13 ³ / ₈	3 ³ / ₈	20 ⁷ / ₁₆
RS21-Type A	Dimensions	16 ³ / ₈	3 ³ / ₈	20 ⁷ / ₁₆
RS24-Type A	Dimensions	19 ¹ / ₂	3 ³ / ₈	20 ⁷ / ₁₆
RS27-Type A	Dimensions	22 ¹ / ₂	3 ³ / ₈	20 ⁷ / ₁₆
RS30-Type A	Dimensions	25 ³ / ₈	3 ³ / ₈	20 ⁷ / ₁₆
RS33-Type A	Dimensions	28 ³ / ₈	3 ³ / ₈	20 ⁷ / ₁₆
RS36-Type A	Dimensions	31 ³ / ₈	3 ³ / ₈	20 ⁷ / ₁₆

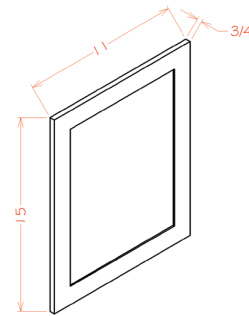
- Glides are side mounted ball bearing with no soft close
- Recommended Max Weight: 35lbs

Spray Paint



- Available for painted finishes only

Sample Door



Model	Description	Width	Height	Depth
Sample Door	Dimensions	11	15	³ / ₄

