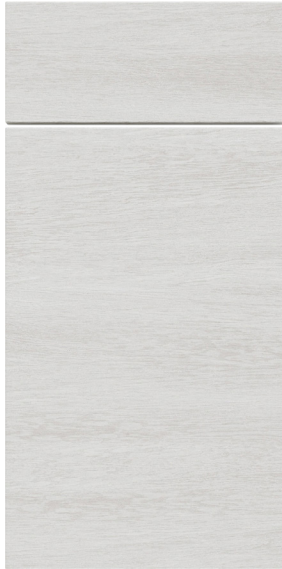




altaeuro FRAMELESS CABINETRY

TORINO

(*Specifications subject to change without notice)



**WHITE PINE
(TWP)**



**GREY WOOD
(TGW)**

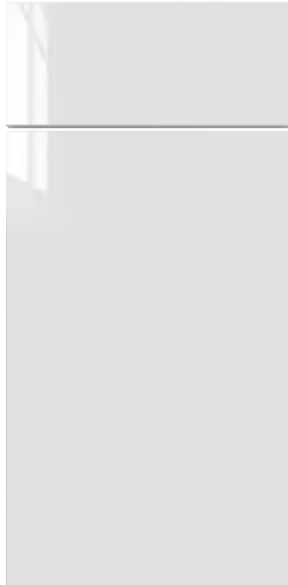


**DARK WOOD
(TDW)**

- Frameless Full Access Construction
- Horizontal Textured Melamine Woodgrain Engineered Wood Slab Front with Matching Back
- Universal 18mm Plywood Composite Cabinet Box with a Grey Linen Thermofused Melamine Inside & Out
- **altamax** Full Extension Soft-Close Orion Grey Drawer Box
- **optishelf** Full Depth 18 mm Adjustable Shelf with Full Edge Banding
- Adjustable 110° Soft-Close Hinges
- **easylevel** Adjustable Leg System

PALERMO

(*Specifications subject to change without notice)

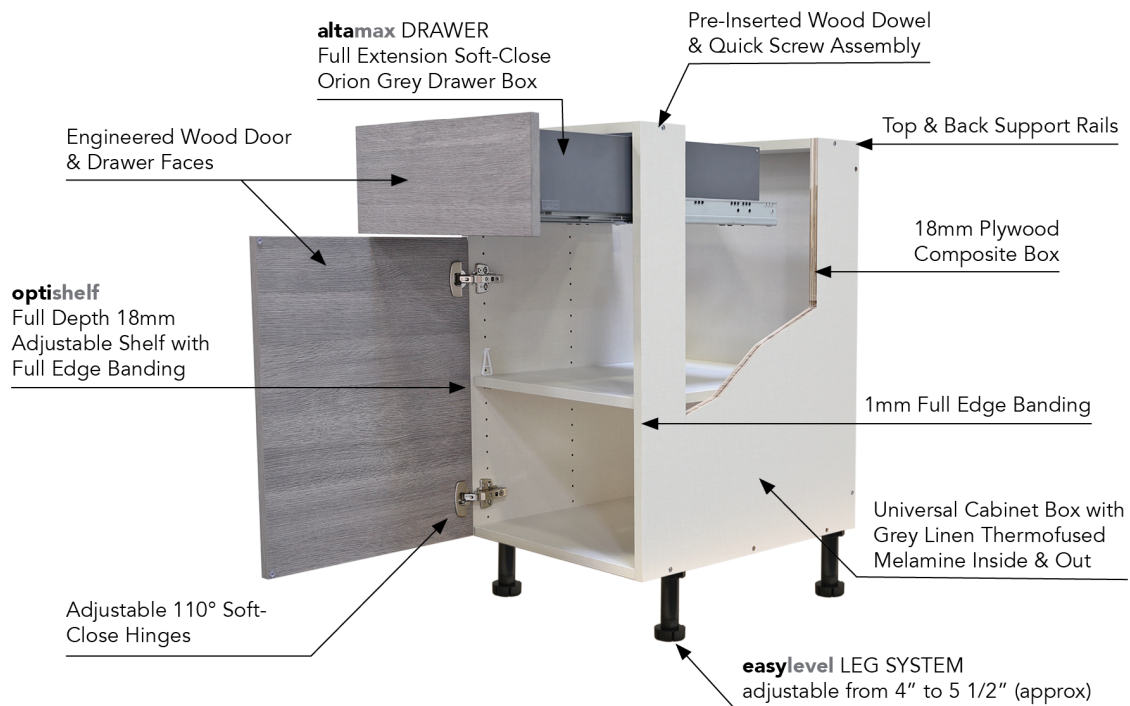


**GLOSS WHITE
(PGW)**

- Frameless Full Access Construction
- High Gloss PET Laminate Engineered Wood Slab Front with White Melamine Back
- Universal 18mm Plywood Composite Cabinet Box with a Grey Linen Thermofused Melamine Inside & Out
- **altamax** Full Extension Soft-Close Orion Grey Drawer Box
- **optishelf** Full Depth 18 mm Adjustable Shelf with Full Edge Banding
- Adjustable 110° Soft-Close Hinges
- **easylevel** Adjustable Leg System

CONSTRUCTION SPECIFICATIONS

(*Specifications subject to change without notice)



Base Cabinet

Full Height Door Bases [2](#)
 Door/Drawer Bases [3-4](#)
 Drawer Bases [5-8](#)
 Sink Bases [9-11](#)
 Range Bases [11-12](#)
 Corner Bases [13-15](#)
 Accessory Bases [15-18](#)
 Specialty Bases [18](#)

Wall Cabinets

30" H Wall Cabinets [19](#)
 35" H Wall Cabinets [20](#)
 40" H Wall Cabinets [21](#)
 Corner Cabinets [22-25](#)
 Bridge Cabinets [25-27](#)
 Flip Up Door 13½"D Cabinets [27-28](#)
 Refrigerator Wall Cabinets [28-30](#)
 Flip Up Door 24"D Wall Cabinets [30-31](#)

Tall Cabinets

Utility Cabinets [32-41](#)
 Oven Cabinets [42-45](#)

Vanities

Vanity Sink Bases [46-47](#)
 Vanity Drawer Bses [48-50](#)
 Specialty Vanities [50](#)
 Vanity Utility Cabinets [51-52](#)

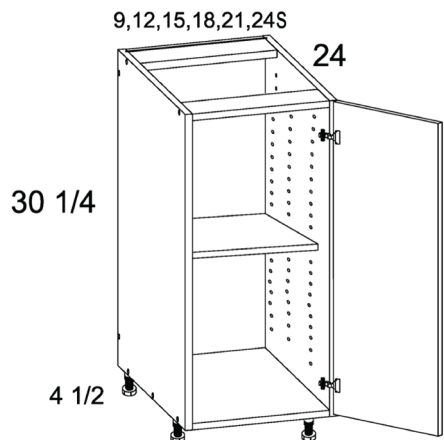
Moulding & Trim [53](#)

Fillers & Panels [54-56](#)

Accessories [57](#)

PRODUCT SPECIFICATIONS

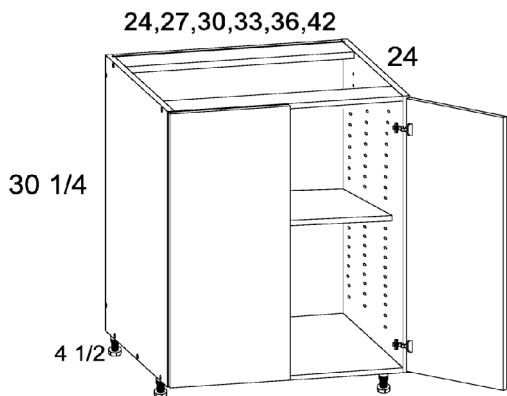
Full Height Single Door Bases



MODEL	COMPONENT	QTY	WIDTH	HEIGHT	DEPTH
BT9FH	X-BFH09	1	9	30 $\frac{1}{4}$	24
	D0930	1	8 $\frac{7}{8}$	30 $\frac{1}{8}$	$\frac{3}{4}$
B12FH	X-BFH12	1	12	30 $\frac{1}{4}$	24
	D1230	1	11 $\frac{7}{8}$	30 $\frac{1}{8}$	$\frac{3}{4}$
B15FH	X-BFH15	1	15	30 $\frac{1}{4}$	24
	D1530	1	14 $\frac{7}{8}$	30 $\frac{1}{8}$	$\frac{3}{4}$
B18FH	X-BFH18	1	18	30 $\frac{1}{4}$	24
	D1830	1	17 $\frac{7}{8}$	30 $\frac{1}{8}$	$\frac{3}{4}$
B21FH	X-BFH21	1	21	30 $\frac{1}{4}$	24
	D2130	1	20 $\frac{7}{8}$	30 $\frac{1}{8}$	$\frac{3}{4}$
B24SFH	X-BFH24	1	24	30 $\frac{1}{4}$	24
	D2430	1	23 $\frac{7}{8}$	30 $\frac{1}{8}$	$\frac{3}{4}$

2

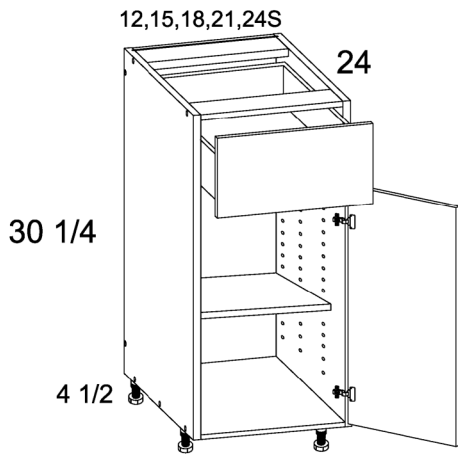
Full Height Two Door Bases



MODEL	COMPONENT	QTY	WIDTH	HEIGHT	DEPTH
B24FH	X-BFH24	1	24	30 $\frac{1}{4}$	24
	D1230	2	11 $\frac{7}{8}$	30 $\frac{1}{8}$	$\frac{3}{4}$
B27FH	X-BFH27	1	27	30 $\frac{1}{4}$	24
	D1330	2	13 $\frac{3}{8}$	30 $\frac{1}{8}$	$\frac{3}{4}$
B30FH	X-BFH30	1	30	30 $\frac{1}{4}$	24
	D1530	2	14 $\frac{7}{8}$	30 $\frac{1}{8}$	$\frac{3}{4}$
B33FH	X-BFH33	1	33	30 $\frac{1}{4}$	24
	D1630	2	16 $\frac{3}{8}$	30 $\frac{1}{8}$	$\frac{3}{4}$
B36FH	X-BFH36	1	36	30 $\frac{1}{4}$	24
	D1830	2	17 $\frac{7}{8}$	30 $\frac{1}{8}$	$\frac{3}{4}$
B42FH	X-BFH42	1	42	30 $\frac{1}{4}$	24
	D2130	2	20 $\frac{7}{8}$	30 $\frac{1}{8}$	$\frac{3}{4}$

PRODUCT SPECIFICATIONS

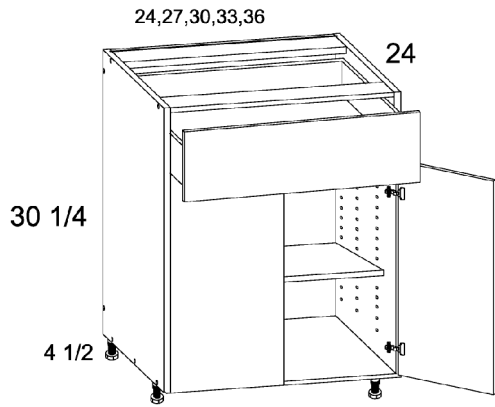
Single Door Single Drawer Bases



MODEL	COMPONENT	QTY	WIDTH	HEIGHT	DEPTH
B12	X-B12	1	12	30¼	24
	DD12	1	11⅞	22½	¾
			11⅞	7⅜	¾
	DDRK550	1	½	5	21⅝
B15	X-B15	1	15	30¼	24
	DD15	1	14⅞	22½	¾
			14⅞	7⅜	¾
	DDRK550	1	½	5	21⅝
B18	X-B18	1	18	30¼	24
	DD18	1	17⅞	22½	¾
			17⅞	7⅜	¾
	DDRK550	1	½	5	21⅝
B21	X-B21	1	21	30¼	24
	DD21	1	20⅞	22½	¾
			20⅞	7⅜	¾
	DDRK550	1	½	5	21⅝
B24S	X-B24	1	24	30¼	24
	DD24S	1	23⅞	22½	¾
			23⅞	7⅜	¾
	DDRK550	1	½	5	21⅝

PRODUCT SPECIFICATIONS

Double Door Single Drawer Bases

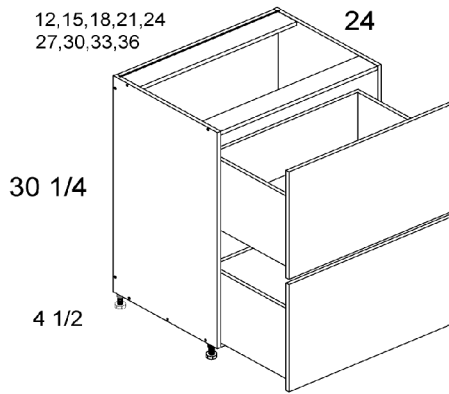


MODEL	COMPONENT	QTY	WIDTH	HEIGHT	DEPTH
B24	X-B24	1	24	30 $\frac{1}{4}$	24
	DD24	1	11 $\frac{7}{8}$	22 $\frac{1}{2}$	$\frac{3}{4}$
			23 $\frac{7}{8}$	7 $\frac{3}{8}$	$\frac{3}{4}$
DDRK550	1	$\frac{1}{2}$	5	21 $\frac{5}{8}$	
B27	X-B27	1	27	30 $\frac{1}{4}$	24
	DD27	1	13 $\frac{3}{8}$	22 $\frac{1}{2}$	$\frac{3}{4}$
			26 $\frac{7}{8}$	7 $\frac{3}{8}$	$\frac{3}{4}$
DDRK550	1	$\frac{1}{2}$	5	21 $\frac{5}{8}$	
B30	X-B30	1	30	30 $\frac{1}{4}$	24
	DD30	1	14 $\frac{7}{8}$	22 $\frac{1}{2}$	$\frac{3}{4}$
			29 $\frac{7}{8}$	7 $\frac{3}{8}$	$\frac{3}{4}$
DDRK550	1	$\frac{1}{2}$	5	21 $\frac{5}{8}$	
B33	X-B33	1	33	30 $\frac{1}{4}$	24
	DD33	1	16 $\frac{3}{8}$	22 $\frac{1}{2}$	$\frac{3}{4}$
			32 $\frac{7}{8}$	7 $\frac{3}{8}$	$\frac{3}{4}$
DDRK550	1	$\frac{1}{2}$	5	21 $\frac{5}{8}$	
B36	X-B36	1	36	30 $\frac{1}{4}$	24
	DD36	1	17 $\frac{7}{8}$	22 $\frac{1}{2}$	$\frac{3}{4}$
			35 $\frac{7}{8}$	7 $\frac{3}{8}$	$\frac{3}{4}$
DDRK550	1	$\frac{1}{2}$	5	21 $\frac{5}{8}$	

4

PRODUCT SPECIFICATIONS

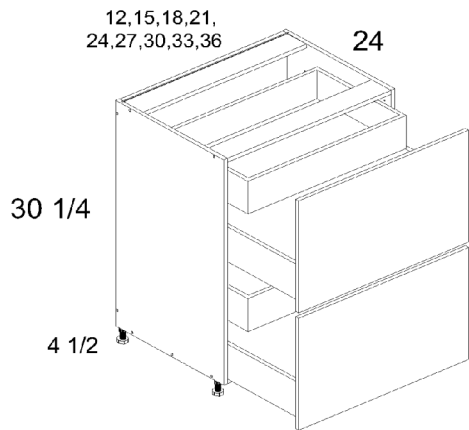
Two Drawer Bases



MODEL	COMPONENT	QTY	WIDTH	HEIGHT	DEPTH
2DB12	X-DB12	1	12	30¼	24
	2DR12	1	11⅞	15	¾
	DDRC550	2	½	6¾	21⅝
2DB15	X-DB15	1	15	30¼	24
	2DR15	1	14⅞	15	¾
	DDRC550	2	½	6¾	6¾
2DB18	X-DB18	1	18	30¼	24
	2DR18	1	17⅞	15	¾
	DDRC550	2	½	6¾	21⅝
2DB21	X-DB21	1	21	30¼	24
	2DR21	1	20⅞	15	¾
	DDRC550	2	½	6¾	21⅝
2DB24	X-DB24	1	24	30¼	24
	2DR24	1	23⅞	15	¾
	DDRC550	2	½	6¾	21⅝
2DB27	X-DB27	1	27	30¼	24
	2DR27	1	26⅞	15	¾
	DDRC550	2	½	6¾	21⅝
2DB30	X-DB30	1	30	30¼	24
	2DR30	1	29⅞	15	¾
	DDRC550	2	½	6¾	21⅝
2DB33	X-DB33	1	33	30¼	24
	2DR33	1	32⅞	15	¾
	DDRC550	2	½	6¾	21⅝
2DB36	X-DB36	1	36	30¼	24
	2DR36	1	35⅞	15	¾
	DDRC550	2	½	6¾	21⅝

PRODUCT SPECIFICATIONS

Two Drawer with One Inner Drawer Bases

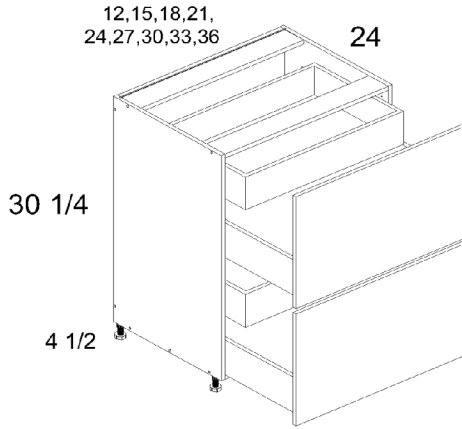


MODEL	COMPONENT	QTY	WIDTH	HEIGHT	DEPTH
2DBID12	X-DB12	1	12	30¼	24
	2DR12	1	11⅞	15	¾
	IDFK12	1	10⅞	5	21⅝
	DDRK550	2	½	5	21⅝
	DDRC550	1	½	6¾	21⅝
2DBID15	X-DB15	1	15	30¼	24
	2DR15	1	14⅞	15	¾
	IDFK15	1	13⅞	5	6¾
	DDRK550	2	½	5	21⅝
	DDRC550	1	½	6¾	21⅝
2DBID18	X-DB18	1	18	30¼	24
	2DR18	1	17⅞	15	¾
	IDFK18	1	16⅞	5	21⅝
	DDRK550	2	½	5	21⅝
	DDRC550	1	½	6¾	21⅝
2DBID21	X-DB21	1	21	30¼	24
	2DR21	1	20⅞	15	¾
	IDFK24	1	19⅞	5	21⅝
	DDRK550	2	½	5	21⅝
	DDRC550	1	½	6¾	21⅝
2DBID24	X-DB24	1	24	30¼	24
	2DR24	1	23⅞	15	¾
	IDFK24	1	22⅞	5	21⅝
	DDRK550	2	½	5	21⅝
	DDRC550	1	½	6¾	21⅝
2DBID27	X-DB27	1	27	30¼	24
	2DR27	1	26⅞	15	¾
	IDFK27	1	25⅞	5	21⅝
	DDRK550	2	½	5	21⅝
	DDRC550	1	½	6¾	21⅝

6

PRODUCT SPECIFICATIONS

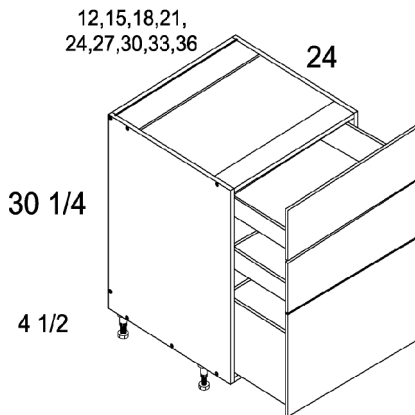
Two Drawer with One Inner Drawer Bases



MODEL	COMPONENT	QTY	WIDTH	HEIGHT	DEPTH
2DBID30	X-DB30	1	30	30¼	24
	2DR30	1	29⅞	15	¾
	IDFK30	1	28⅞	5	21⅝
	DDRK550	2	½	5	21⅝
	DDRC550	1	½	6¾	21⅝
2DBID33	X-DB33	1	15	30¼	24
	2DR33	1	32⅞	15	¾
	IDFK33	1	31⅞	5	6¾
	DDRK550	2	½	5	21⅝
	DDRC550	1	½	6¾	21⅝
2DBID36	X-DB36	1	18	30¼	24
	2DR36	1	35⅞	15	¾
	IDFK36	1	34⅞	5	21⅝
	DDRK550	2	½	5	21⅝
	DDRC550	1	½	6¾	21⅝

7

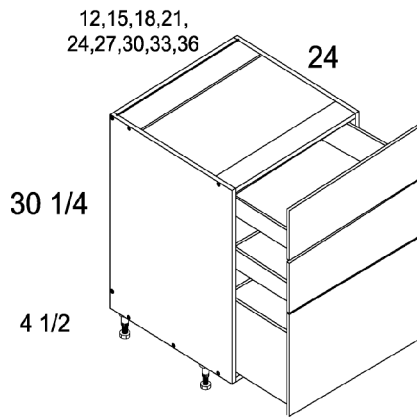
Three Drawer Bases



MODEL	COMPONENT	QTY	WIDTH	HEIGHT	DEPTH
3DB12	X-DB12	1	12	30¼	24
	3DR12	1	11⅞	7⅞	¾
			11⅞	15	¾
	DDRK550	2	½	5	21⅝
	DDRC550	1	½	6¾	21⅝
3DB15	X-DB15	1	15	30¼	24
	3DR15	1	14⅞	7⅞	¾
			14⅞	15	¾
	DDRK550	2	½	5	21⅝
	DDRC550	1	½	6¾	21⅝
3DB18	X-DB18	1	18	30¼	24
	3DR18	1	17⅞	7⅞	¾
			17⅞	15	¾
	DDRK550	2	½	5	21⅝
	DDRC550	1	½	6¾	21⅝

PRODUCT SPECIFICATIONS

Three Drawer Bases

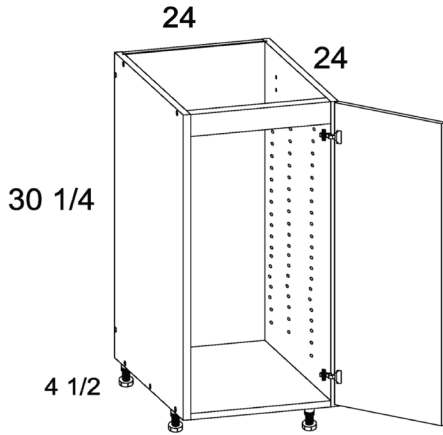


MODEL	COMPONENT	QTY	WIDTH	HEIGHT	DEPTH
3DB21	X-DB21	1	21	30¼	24
	3DR21	1	20⅞	7⅞	¾
			20⅞	15	¾
	DDRK550	2	½	5	21⅝
DDRC550	1	½	6¾	21⅝	
3DB24	X-DB24	1	24	30¼	24
	3DR24	1	23⅞	7⅞	¾
			23⅞	15	¾
	DDRK550	2	½	5	21⅝
DDRC550	1	½	6¾	21⅝	
3DB27	X-DB27	1	27	30¼	24
	3DR27	1	26⅞	7⅞	¾
			26⅞	15	¾
	DDRK550	2	½	5	21⅝
DDRC550	1	½	6¾	21⅝	
3DB30	X-DB30	1	30	30¼	24
	3DR30	1	29⅞	7⅞	¾
			29⅞	15	¾
	DDRK550	2	½	5	21⅝
DDRC550	1	½	6¾	21⅝	
3DB33	X-DB33	1	33	30¼	24
	3DR33	1	32⅞	7⅞	¾
			32⅞	15	¾
	DDRK550	2	½	5	21⅝
DDRC550	1	½	6¾	21⅝	
3DB36	X-DB36	1	36	30¼	24
	3DR36	1	35⅞	7⅞	¾
			35⅞	15	¾
	DDRK550	2	½	5	21⅝
DDRC550	1	½	6¾	21⅝	

8

PRODUCT SPECIFICATIONS

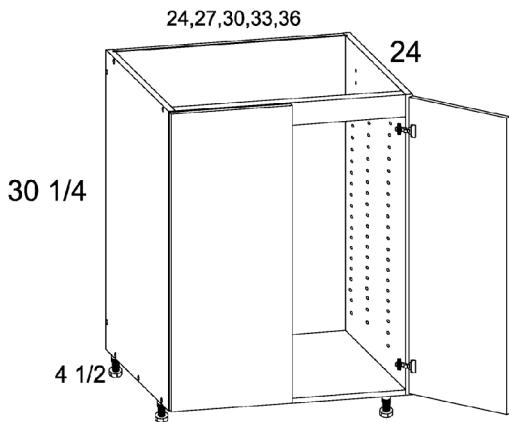
Full Height Single Door Sink Base



MODEL	COMPONENT	QTY	WIDTH	HEIGHT	DEPTH
SB24SFH	X-SB24	1	24	30 $\frac{1}{4}$	24
	D2430	1	23 $\frac{7}{8}$	30 $\frac{1}{8}$	3 $\frac{3}{4}$

9

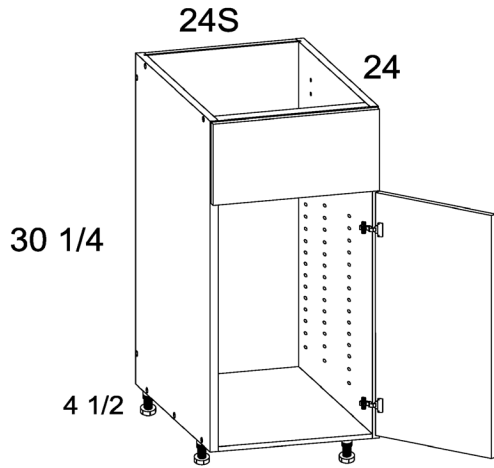
Full Height Double Door Sink Bases



MODEL	COMPONENT	QTY	WIDTH	HEIGHT	DEPTH
SB24FH	X-SB24	1	24	30 $\frac{1}{4}$	24
	D1230	2	11 $\frac{7}{8}$	30 $\frac{1}{8}$	3 $\frac{3}{4}$
SB27FH	X-SB27	1	27	30 $\frac{1}{4}$	24
	D1330	2	13 $\frac{3}{8}$	30 $\frac{1}{8}$	3 $\frac{3}{4}$
SB30FH	X-SB30	1	30	30 $\frac{1}{4}$	24
	D1530	2	14 $\frac{7}{8}$	30 $\frac{1}{8}$	3 $\frac{3}{4}$
SB33FH	X-SB33	1	33	30 $\frac{1}{4}$	24
	D1630	2	16 $\frac{3}{8}$	30 $\frac{1}{8}$	3 $\frac{3}{4}$
SB36FH	X-SB36	1	36	30 $\frac{1}{4}$	24
	D1830	2	17 $\frac{7}{8}$	30 $\frac{1}{8}$	3 $\frac{3}{4}$

PRODUCT SPECIFICATIONS

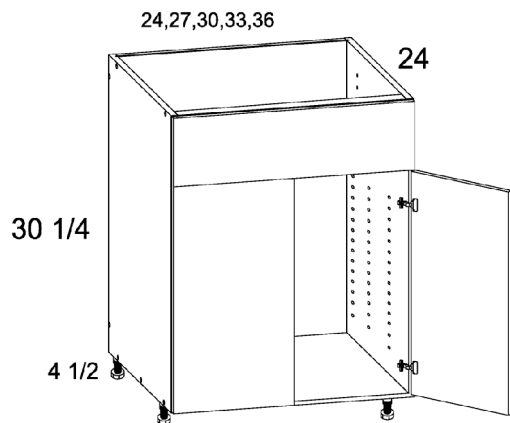
Single Door Single False Drawer Front Sink Base



MODEL	COMPONENT	QTY	WIDTH	HEIGHT	DEPTH
SB24S	X-SB24	1	24	30 $\frac{1}{4}$	24
	DD24S	1	23 $\frac{7}{8}$	22 $\frac{1}{2}$	$\frac{3}{4}$
			23 $\frac{7}{8}$	7 $\frac{3}{8}$	$\frac{3}{4}$

10

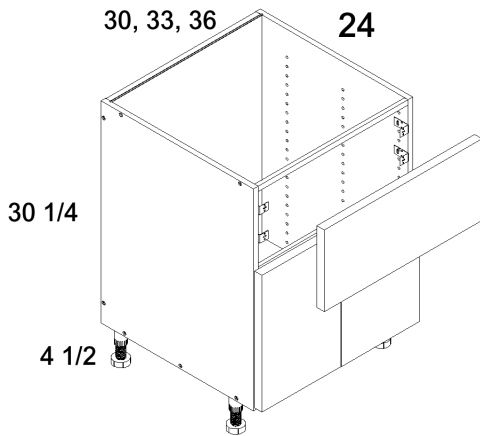
Double Door Single False Drawer Front Sink Bases



MODEL	COMPONENT	QTY	WIDTH	HEIGHT	DEPTH
SB24	X-SB24	1	24	30 $\frac{1}{4}$	24
	DD24	1	11 $\frac{7}{8}$	22 $\frac{1}{2}$	$\frac{3}{4}$
			23 $\frac{7}{8}$	7 $\frac{3}{8}$	$\frac{3}{4}$
SB27	X-SB27	1	27	30 $\frac{1}{4}$	24
	DD27	1	13 $\frac{3}{8}$	22 $\frac{1}{2}$	$\frac{3}{4}$
			26 $\frac{7}{8}$	7 $\frac{3}{8}$	$\frac{3}{4}$
SB30	X-SB30	1	30	30 $\frac{1}{4}$	24
	DD30	1	14 $\frac{7}{8}$	22 $\frac{1}{2}$	$\frac{3}{4}$
			29 $\frac{7}{8}$	7 $\frac{3}{8}$	$\frac{3}{4}$
SB33	X-SB33	1	33	30 $\frac{1}{4}$	24
	DD33	1	16 $\frac{3}{8}$	22 $\frac{1}{2}$	$\frac{3}{4}$
			32 $\frac{7}{8}$	7 $\frac{3}{8}$	$\frac{3}{4}$
SB36	X-SB36	1	36	30 $\frac{1}{4}$	24
	DD36	1	17 $\frac{7}{8}$	22 $\frac{1}{2}$	$\frac{3}{4}$
			35 $\frac{7}{8}$	7 $\frac{3}{8}$	$\frac{3}{4}$

PRODUCT SPECIFICATIONS

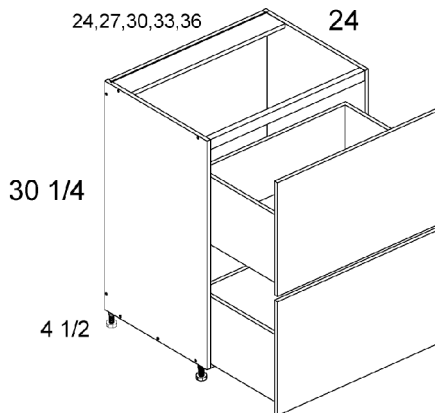
Farm Sink Bases



MODEL	COMPONENT	QTY	WIDTH	HEIGHT	DEPTH
FSB30	X-SB30	1	30	30 $\frac{1}{4}$	24
	DFS30	1	14 $\frac{7}{8}$	17 $\frac{1}{2}$	$\frac{3}{4}$
			29 $\frac{7}{8}$	12 $\frac{1}{2}$	$\frac{3}{4}$
FSB36	X-SB36	1	36	30 $\frac{1}{4}$	24
	DFS36	1	17 $\frac{7}{8}$	17 $\frac{1}{2}$	$\frac{3}{4}$
			35 $\frac{7}{8}$	12 $\frac{1}{2}$	$\frac{3}{4}$

11

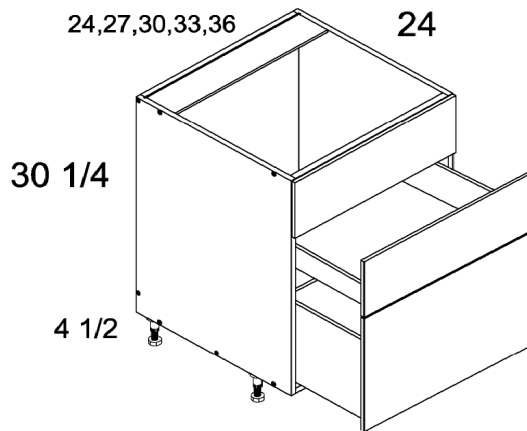
Two Drawer Range Bases



MODEL	COMPONENT	QTY	WIDTH	HEIGHT	DEPTH
RB2DB24	X-DB24	1	24	30 $\frac{1}{4}$	24
	2DR24	1	23 $\frac{7}{8}$	15	$\frac{3}{4}$
	DDRC550	2	$\frac{1}{2}$	6 $\frac{3}{4}$	21 $\frac{5}{8}$
RB2DB27	X-DB27	1	27	30 $\frac{1}{4}$	24
	2DR27	1	26 $\frac{7}{8}$	15	$\frac{3}{4}$
	DDRC550	2	$\frac{1}{2}$	6 $\frac{3}{4}$	21 $\frac{5}{8}$
RB2DB30	X-DB30	1	30	30 $\frac{1}{4}$	24
	2DR30	1	29 $\frac{7}{8}$	15	$\frac{3}{4}$
	DDRC550	2	$\frac{1}{2}$	6 $\frac{3}{4}$	21 $\frac{5}{8}$
RB2DB33	X-DB33	1	33	30 $\frac{1}{4}$	24
	2DR33	1	32 $\frac{7}{8}$	15	$\frac{3}{4}$
	DDRC550	2	$\frac{1}{2}$	6 $\frac{3}{4}$	21 $\frac{5}{8}$
RB2DB36	X-DB36	1	36	30 $\frac{1}{4}$	24
	2DR36	1	35 $\frac{7}{8}$	15	$\frac{3}{4}$
	DDRC550	2	$\frac{1}{2}$	6 $\frac{3}{4}$	21 $\frac{5}{8}$

PRODUCT SPECIFICATIONS

Two Drawer One False Drawer Front Range Bases

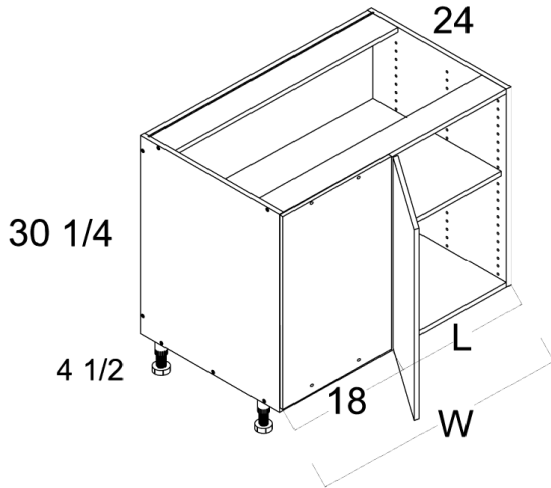


MODEL	COMPONENT	QTY	WIDTH	HEIGHT	DEPTH
RB3DB24	X-DB24	1	24	30¼	24
	3DR24	1	23⅞	7⅞	¾
			23⅞	15	¾
	DDRK550	1	½	5	21⅝
DDRC550	1	½	6¾	21⅝	
RB3DB27	X-DB27	1	27	30¼	24
	3DR27	1	26⅞	7⅞	¾
			26⅞	15	¾
	DDRK550	1	½	5	21⅝
DDRC550	1	½	6¾	21⅝	
RB3DB30	X-DB30	1	30	30¼	24
	3DR30	1	29⅞	7⅞	¾
			29⅞	15	¾
	DDRK550	1	½	5	21⅝
DDRC550	1	½	6¾	21⅝	
RB3DB33	X-DB33	1	33	30¼	24
	3DR33	1	32⅞	7⅞	¾
			32⅞	15	¾
	DDRK550	1	½	5	21⅝
DDRC550	1	½	6¾	21⅝	
RB3DB36	X-DB36	1	36	30¼	24
	3DR36	1	35⅞	7⅞	¾
			35⅞	15	¾
	DDRK550	1	½	5	21⅝
DDRC550	1	½	6¾	21⅝	

12

PRODUCT SPECIFICATIONS

Single Door Blind Base Corner Cabinets



MODEL	COMPONENT	QTY	WIDTH	HEIGHT	DEPTH
BBC37/40FH	X-BFH30	1	30	30 $\frac{1}{4}$	24
	D1230	1	11 $\frac{7}{8}$	30 $\frac{1}{8}$	$\frac{3}{4}$
	BL1830	1	18	30 $\frac{1}{4}$	$\frac{3}{4}$
	H90	2	–	–	–
BBC40/43FH	X-BFH33	1	33	30 $\frac{1}{4}$	24
	D1530	1	14 $\frac{7}{8}$	30 $\frac{1}{8}$	$\frac{3}{4}$
	BL1830	1	18	30 $\frac{1}{4}$	$\frac{3}{4}$
	H90	2	–	–	–
BBC43/46FH	X-BFH36	1	36	30 $\frac{1}{4}$	24
	D1830	1	17 $\frac{7}{8}$	30 $\frac{1}{8}$	$\frac{3}{4}$
	BL1830	1	18	30 $\frac{1}{4}$	$\frac{3}{4}$
	H90	2	–	–	–
BBC46/49FH	X-BFH36	1	36	30 $\frac{1}{4}$	24
	D2130	1	20 $\frac{7}{8}$	30 $\frac{1}{8}$	$\frac{3}{4}$
	BL1530	1	15	30 $\frac{1}{4}$	$\frac{3}{4}$
	H90	2	–	–	–
BBC49/52SFH	X-BFH42	1	42	30 $\frac{1}{4}$	24
	D2430	1	23 $\frac{7}{8}$	30 $\frac{1}{8}$	$\frac{3}{4}$
	BL1830	1	18	30 $\frac{1}{4}$	$\frac{3}{4}$
	H90	2	–	–	–

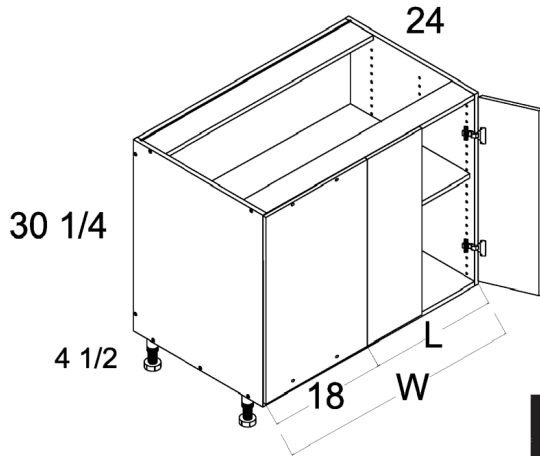
Filler required to join adjacent cabinet (purchased separately)

CABINET PULL CHART		
CABINET	MIN	MAX
BBC37/40FH	37	40
BBC40/43FH	40	43
BBC43/46FH	43	46
BBC46/49FH	46	49
BBC49/52SFH	49	52

CABINET	W	L
BBC37/40FH	30	12
BBC40/43FH	33	15
BBC43/46FH	36	18
BBC46/49FH	36	21
BBC49/52SFH	42	24

PRODUCT SPECIFICATIONS

Double Door Blind Base Corner Cabinets



MODEL	COMPONENT	QTY	WIDTH	HEIGHT	DEPTH
BBC49/52FH	X-BFH42	1	42	30¼	24
	D1230	2	11⅞	30⅞	¾
	BL1830	1	18	30¼	¾
	H90	2	–	–	–
BBC52/55FH	X-BFH42	1	42	30¼	24
	D1330	2	13⅜	30⅞	¾
	BL1530	1	15	30¼	¾
	H90	2	–	–	–

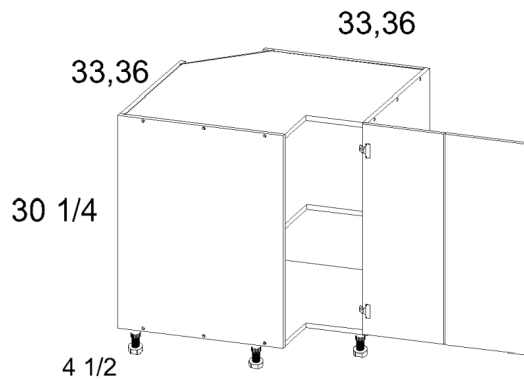
Filler required to join adjacent cabinet (purchased separately)

CABINET PULL CHART		
CABINET	MIN	MAX
BBC49/52FH	49	52
BBC52/55FH	52	55

CABINET	W	L
BBC49/52FH	42	24
BBC52/55FH	42	27

14

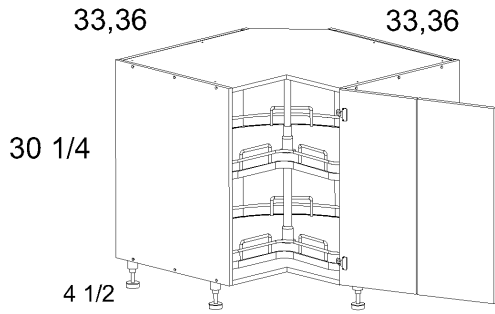
Base Easy Reach Cabinets



MODEL	COMPONENT	QTY	WIDTH	HEIGHT	DEPTH
BER33	X-BER33	1	33	30¼	24
	DER33	2	8	30⅞	¾
	WG-ASBER33	1	21⅞	¾	23¼
BER36	X-BER36	1	27	30¼	24
	DER36	2	11	30⅞	¾
	WG-ASBER36	1	24⅞	¾	23¼

PRODUCT SPECIFICATIONS

Base Easy Reach Cabinets with Lazy Susan



MODEL	COMPONENT	QTY	WIDTH	HEIGHT	DEPTH
LSB33	X-BER33	1	33	30¼	24
	DER33	2	8	30⅞	¾
	ULSB33KIT	1	21⅞	¾	23¼
LSB36	X-BER36	1	27	30¼	24
	DER36	2	11	30⅞	¾
	UBER36-Tray	1	24⅞	¾	23¼

ULSB33KIT Manufacturer Specs

Hafele® 28" Revolving Three-Quarter Round Kidney
(Shelf Set: 541.06.296 & Pole: 541.17.227)

- Shelf Dimensions: 14" R x 28" D
- Finish: Chrome/Anthracite

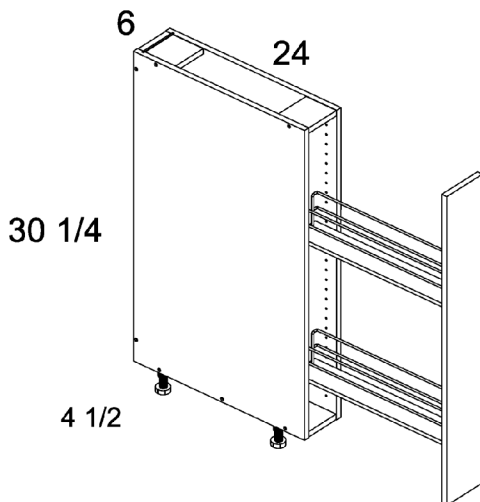
UBER36-Tray Manufacturer Specs

Rev-A-Shelf® 32" Kidney Shaped Lazy Susan
(53472-32GR-1-12)

- Shelf Dimensions: 32" W x 32" D
- Finish: Chrome/Gray

15

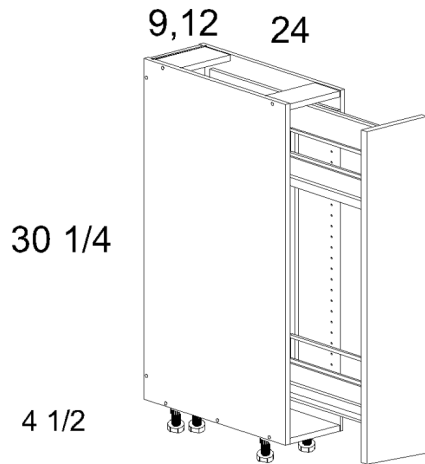
Accessory Base - Full Height Door Base with Basket Pullout



MODEL	COMPONENT	QTY	WIDTH	HEIGHT	DEPTH
BPO6FH	X-BFH06PO	1	6	30¼	24
	D0630	1	5⅞	30⅞	¾

PRODUCT SPECIFICATIONS

Accessory Base - Full Height Door Bases with Organizer Pullout



MODEL	COMPONENT	QTY	WIDTH	HEIGHT	DEPTH
BPO9FH	X-BFH09	1	9	30 $\frac{1}{4}$	24
	D0930	1	8 $\frac{7}{8}$	30 $\frac{1}{8}$	$\frac{3}{4}$
	UB09-PO	1	See Manufacturer Specs Below		
BPO12FH	X-BFH12	1	12	30 $\frac{1}{4}$	24
	D1230	1	11 $\frac{7}{8}$	30 $\frac{1}{8}$	$\frac{3}{4}$
	UB12-PO	1	See Manufacturer Specs Below		

UB09-PO Manufacturer Specs

Rev-A-Shelf® (5322-BCSC-6-FOG)

- Weight Capacity: 110 lbs
- MCO: 7 $\frac{1}{2}$ " W x 25" H x 21 $\frac{3}{4}$ " D
- Finish: Orion Grey

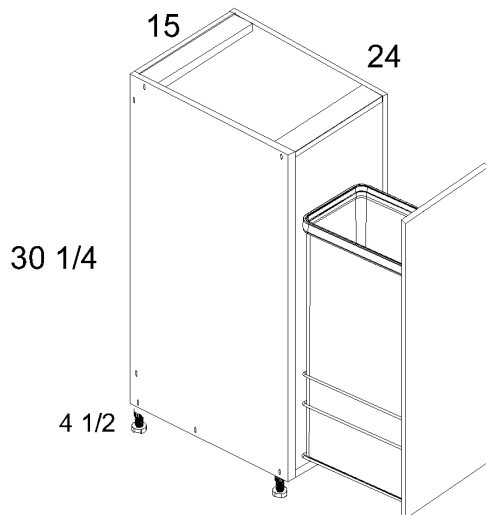
UB12-PO Manufacturer Specs

Rev-A-Shelf® (5322-BCSC-9-FOG)

- Weight Capacity: 110 lbs
- MCO: 10 $\frac{1}{2}$ " W x 25" H x 21 $\frac{3}{4}$ " D
- Finish: Orion Grey

16

Accessory Base - Full Height Door Base with Single Trash Can Pullout



MODEL	COMPONENT	QTY	WIDTH	HEIGHT	DEPTH
B15FHTCPO	X-BFH15	1	15	30 $\frac{1}{4}$	24
	D1530	1	14 $\frac{7}{8}$	30 $\frac{1}{8}$	$\frac{3}{4}$
	UB15FH-TCPO	1	See Manufacturer Specs Below		

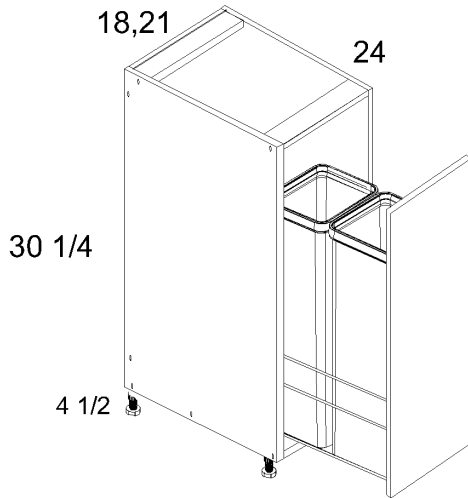
UB15FH-TCPO Manufacturer Specs

Rev-A-Shelf® (53WC-1550SCDM-113)

- Weight Capacity: 90 lbs
- MCO: 11 $\frac{1}{8}$ " W x 24" H x 22 $\frac{1}{8}$ " D
- Finish: Orion Grey
- Trash Can Capacity: 50qt

PRODUCT SPECIFICATIONS

Accessory Base - Full Height Door Base with Double Trash Can Pullout



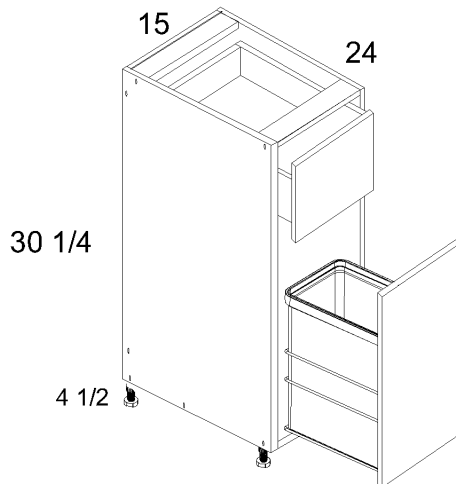
MODEL	COMPONENT	QTY	WIDTH	HEIGHT	DEPTH
B18FHTCPO	X-BFH18	1	18	30¼	24
	D1830	1	17⅞	30⅞	¾
	UB1821FH-TCPO	1	See Manufacturer Specs Below		
B21FHTCPO	X-BFH21	1	21	30¼	24
	D2130	1	20⅞	30⅞	¾
	UB1821FH-TCPO	1	See Manufacturer Specs Below		

UB1821FH-TCPO Manufacturer Specs

Rev-A-Shelf® (53WC-2150SCDM-213)

- Weight Capacity: 90 lbs
- MCO: 11⅞" W x 24" H x 22⅞" D
- Finish: Orion Grey
- Trash Can Capacity: 50qt

Accessory Base - Single Door Single Drawer Base with Single Trash Can Pullout



MODEL	COMPONENT	QTY	WIDTH	HEIGHT	DEPTH
B15TCPO	X-B15	1	15	30¼	24
	DD15	1	14⅞	22½	¾
			14⅞	7⅞	¾
	DDRK550	1	1/2	5	21⅞
UB15-TCPO	1	See Manufacturer Specs Below			

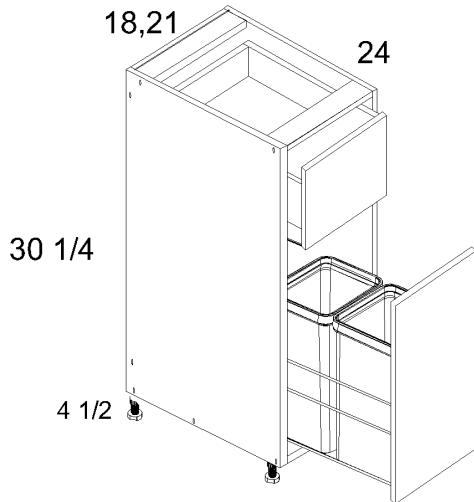
UB15-TCPO Manufacturer Specs

Rev-A-Shelf® (53WC-1535SCDM-113)

- Weight Capacity: 90 lbs
- MCO: 11⅞" W x 20¼" H x 22⅞" D
- Finish: Orion Grey
- Trash Can Capacity: 35qt

PRODUCT SPECIFICATIONS

Accessory Base - Single Door Single Drawer Bases with Double Trash Can Pullout



MODEL	COMPONENT	QTY	WIDTH	HEIGHT	DEPTH
B18TCPO	X-B18	1	18	30¼	24
	DD18	1	17⅞	22½	¾
			17⅞	7⅜	¾
	DDRK550	1	½	5	21⅝
UB1821-TCPO		1	See Manufacturer Specs Below		
B21TCPO	X-B21	1	21	30¼	24
	DD21	1	20⅞	22½	¾
			20⅞	7⅜	¾
	DDRK550	1	½	5	21⅝
UB1821-TCPO		1	See Manufacturer Specs Below		

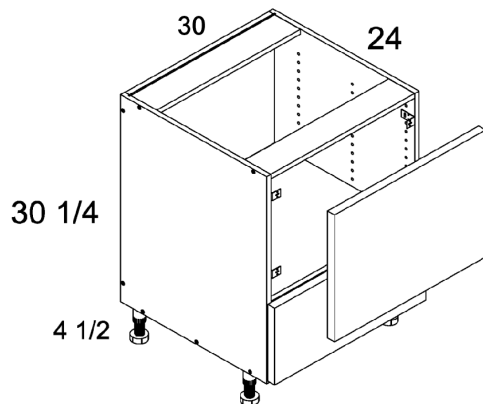
UB1821-TCPO Manufacturer Specs

Rev-A-Shelf® (53WC-1835SCDM-213)

- Weight Capacity: 90 lbs
- MCO: 11⅞" W x 20¼" H x 22⅞" D
- Finish: Orion Grey
- Trash Can Capacity: 35qt

18

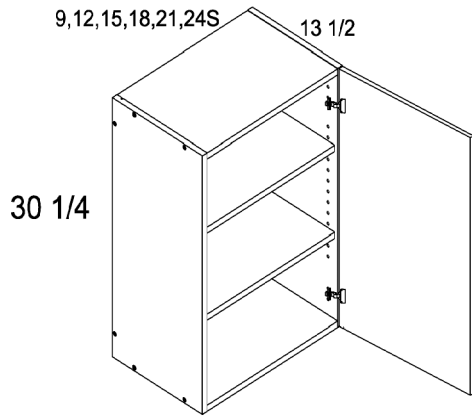
Specialty Base - Base Microwave Cabinet



MODEL	COMPONENT	QTY	WIDTH	HEIGHT	DEPTH
BMW30	X-BFH30	1	30	30¼	24
	DM3019	1	29⅞	18¾	¾
	DR3011	1	29⅞	11½	¾
	AMC30-550	1	28⅞	6¾	21⅝

PRODUCT SPECIFICATIONS

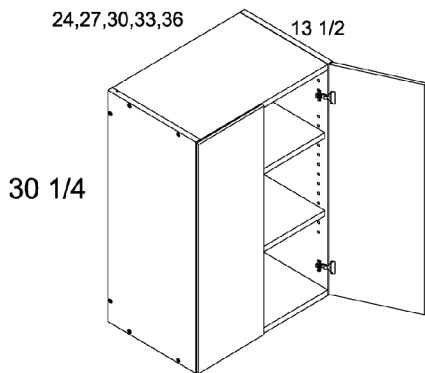
30" H Single Door Wall Cabinets



MODEL	COMPONENT	QTY	WIDTH	HEIGHT	DEPTH
W0930	X-W0930	1	9	30¼	13½
	D0930	1	8⅞	30⅞	¾
W1230	X-W1230	1	12	30¼	13½
	D1230	1	11⅞	30⅞	¾
W1530	X-W1530	1	15	30¼	13½
	D1530	1	14⅞	30⅞	¾
W1830	X-W1830	1	18	30¼	13½
	D1830	1	17⅞	30⅞	¾
W2130	X-W2130	1	21	30¼	13½
	D2130	1	20⅞	30⅞	¾
W2430S	X-W2430	1	24	30¼	13½
	D2430	1	23⅞	30⅞	¾

19

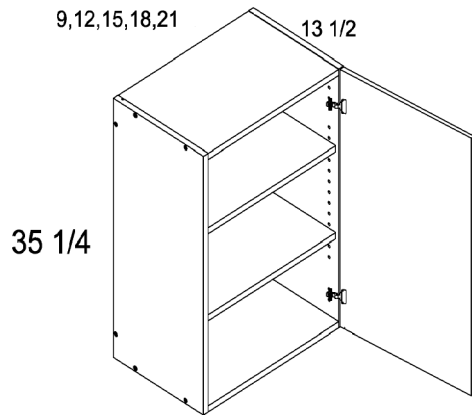
30" H Double Door Wall Cabinets



MODEL	COMPONENT	QTY	WIDTH	HEIGHT	DEPTH
W2430	X-W2430	1	24	30¼	13½
	D1230	2	11⅞	30⅞	¾
W2730	X-W2730	1	27	30¼	13½
	D1330	2	13⅞	30⅞	¾
W3030	X-W3030	1	30	30¼	13½
	D1530	2	14⅞	30⅞	¾
W3330	X-W3330	1	33	30¼	13½
	D1630	2	16⅞	30⅞	¾
W3630	X-W3630	1	36	30¼	13½
	D1830	2	17⅞	30⅞	¾

PRODUCT SPECIFICATIONS

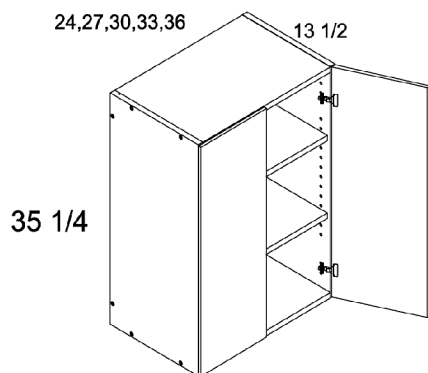
35" H Single Door Wall Cabinets



MODEL	COMPONENT	QTY	WIDTH	HEIGHT	DEPTH
W0935	X-W0935	1	9	35¼	13½
	D0935	1	8⅞	35⅞	¾
W1235	X-W1235	1	12	35¼	13½
	D1235	1	11⅞	35⅞	¾
W1535	X-W1535	1	15	35¼	13½
	D1535	1	14⅞	35⅞	¾
W1835	X-W1835	1	18	35¼	13½
	D1835	1	17⅞	35⅞	¾
W2135	X-W2135	1	21	35¼	13½
	D2135	1	20⅞	35⅞	¾

20

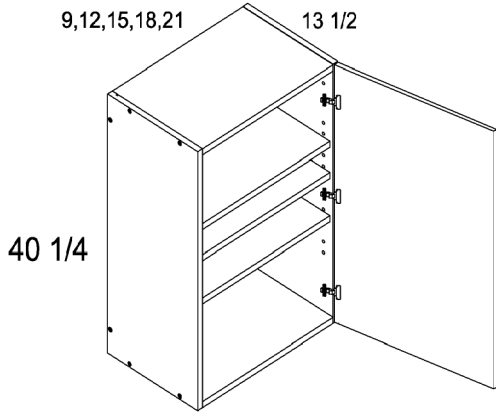
35" H Double Door Wall Cabinets



MODEL	COMPONENT	QTY	WIDTH	HEIGHT	DEPTH
W2435	X-W2435	1	24	35¼	13½
	D1235	2	11⅞	35⅞	¾
W2735	X-W2735	1	27	35¼	13½
	D1335	2	13⅞	35⅞	¾
W3035	X-W3035	1	30	35¼	13½
	D1535	2	14⅞	35⅞	¾
W3335	X-W3335	1	33	35¼	13½
	D1635	2	16⅞	35⅞	¾
W3635	X-W3635	1	36	35¼	13½
	D1835	2	17⅞	35⅞	¾

PRODUCT SPECIFICATIONS

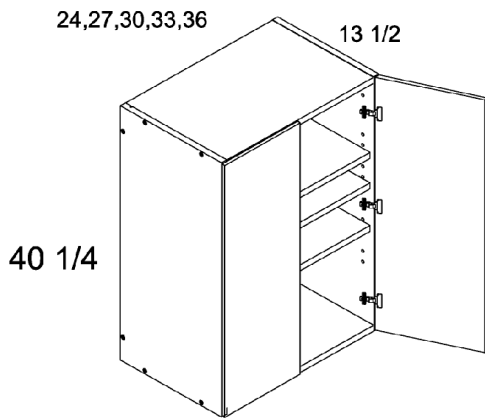
40" H Single Door Wall Cabinets



MODEL	COMPONENT	QTY	WIDTH	HEIGHT	DEPTH
W0940	X-W0940	1	9	40 $\frac{1}{4}$	13 $\frac{1}{2}$
	D0940	1	8 $\frac{7}{8}$	40 $\frac{1}{8}$	$\frac{3}{4}$
W1240	X-W1240	1	12	40 $\frac{1}{4}$	13 $\frac{1}{2}$
	D1240	1	11 $\frac{7}{8}$	40 $\frac{1}{8}$	$\frac{3}{4}$
W1540	X-W1540	1	15	40 $\frac{1}{4}$	13 $\frac{1}{2}$
	D1540	1	14 $\frac{7}{8}$	40 $\frac{1}{8}$	$\frac{3}{4}$
W1840	X-W1840	1	18	40 $\frac{1}{4}$	13 $\frac{1}{2}$
	D1840	1	17 $\frac{7}{8}$	40 $\frac{1}{8}$	$\frac{3}{4}$
W2140	X-W2140	1	21	40 $\frac{1}{4}$	13 $\frac{1}{2}$
	D2140	1	20 $\frac{7}{8}$	40 $\frac{1}{8}$	$\frac{3}{4}$

21

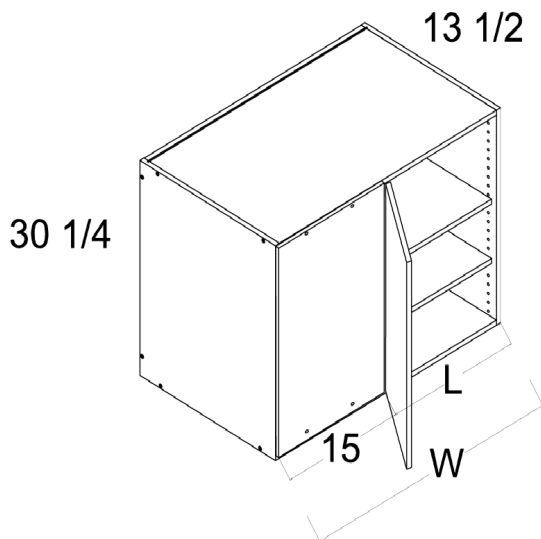
40" H Double Door Wall Cabinets



MODEL	COMPONENT	QTY	WIDTH	HEIGHT	DEPTH
W2440	X-W2440	1	24	40 $\frac{1}{4}$	13 $\frac{1}{2}$
	D1240	2	11 $\frac{7}{8}$	40 $\frac{1}{8}$	$\frac{3}{4}$
W2740	X-W2740	1	27	40 $\frac{1}{4}$	13 $\frac{1}{2}$
	D1340	2	13 $\frac{3}{8}$	40 $\frac{1}{8}$	$\frac{3}{4}$
W3040	X-W3040	1	30	40 $\frac{1}{4}$	13 $\frac{1}{2}$
	D1540	2	14 $\frac{7}{8}$	40 $\frac{1}{8}$	$\frac{3}{4}$
W3340	X-W3340	1	33	40 $\frac{1}{4}$	13 $\frac{1}{2}$
	D1640	2	16 $\frac{3}{8}$	40 $\frac{1}{8}$	$\frac{3}{4}$
W3640	X-W3640	1	36	40 $\frac{1}{4}$	13 $\frac{1}{2}$
	D1840	2	17 $\frac{7}{8}$	40 $\frac{1}{8}$	$\frac{3}{4}$

PRODUCT SPECIFICATIONS

30" H Wall Blind Corner Cabinets



MODEL	COMPONENT	QTY	WIDTH	HEIGHT	DEPTH
WBC24/2730	X-W2430	1	24	30¼	13½
	D0930	1	8⅞	30⅞	¾
	BL1530	1	15	30¼	¾
	H90	2	–	–	–
WBC27/3030	X-W2730	1	27	30¼	13½
	D1230	1	11⅞	30⅞	¾
	BL1530	1	15	30¼	¾
	H90	2	–	–	–
WBC30/3330	X-W3030	1	30	30¼	13½
	D1530	1	14⅞	30⅞	¾
	BL1530	1	15	30¼	¾
	H90	2	–	–	–
WBC33/3630	X-W3330	1	33	30¼	13½
	D1830	2	17⅞	30⅞	¾
	BL1530	1	15	30¼	¾
	H90	2	–	–	–
WBC36/3930	X-W3630	1	36	30¼	13½
	D2130	1	20⅞	30⅞	¾
	BL1530	1	15	30¼	¾
	H90	2	–	–	–

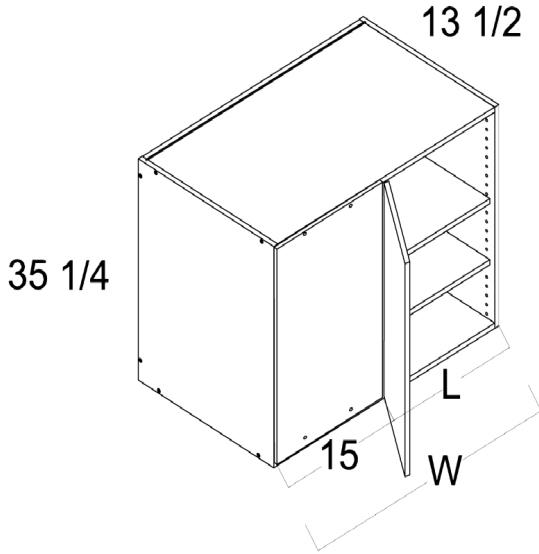
Filler required to join adjacent cabinet (purchased separately)

CABINET PULL CHART		
CABINET	MIN	MAX
WBC24/2730	24	27
WBC27/3030	27	30
WBC30/3330	30	33
WBC33/3630	33	36
WBC36/3930	36	39

CABINET	W	L
WBC24/2730	24	9
WBC27/3030	27	12
WBC30/3330	30	15
WBC33/3630	33	18
WBC36/3930	36	21

PRODUCT SPECIFICATIONS

35" H Wall Blind Corner Cabinets



MODEL	COMPONENT	QTY	WIDTH	HEIGHT	DEPTH
WBC24/2735	X-W2435	1	24	35¼	13½
	D0935	1	8⅞	35⅞	¾
	BL1535	1	15	35¼	¾
	H90	3	–	–	–
WBC27/3035	X-W2735	1	27	35¼	13½
	D1235	1	11⅞	35⅞	¾
	BL1535	1	15	35¼	¾
	H90	3	–	–	–
WBC30/3335	X-W3035	1	30	35¼	13½
	D1535	1	14⅞	35⅞	¾
	BL1535	1	15	35¼	¾
	H90	3	–	–	–
WBC33/3635	X-W3335	1	33	35¼	13½
	D1835	1	17⅞	35⅞	¾
	BL1535	1	15	35¼	¾
	H90	3	–	–	–
WBC36/3935	X-W3635	1	36	35¼	13½
	D2135	1	20⅞	35⅞	¾
	BL1535	1	15	35¼	¾
	H90	3	–	–	–

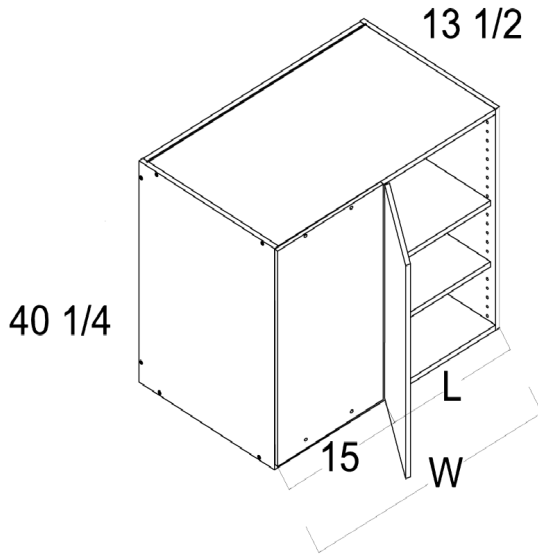
Filler required to join adjacent cabinet (purchased separately)

CABINET PULL CHART		
CABINET	MIN	MAX
WBC24/2735	24	27
WBC27/3035	27	30
WBC30/3335	30	33
WBC33/3635	33	36
WBC36/3935	36	39

CABINET	W	L
WBC24/2735	24	9
WBC27/3035	27	12
WBC30/3335	30	15
WBC33/3635	33	18
WBC36/3935	36	21

PRODUCT SPECIFICATIONS

40"H Wall Blind Corner Cabinets



MODEL	COMPONENT	QTY	WIDTH	HEIGHT	DEPTH
WBC24/2740	X-W2440	1	24	40¼	13½
	D0940	1	8⅞	40⅞	¾
	BL1540	1	15	40¼	¾
	H90	2	–	–	–
WBC27/3040	X-W2740	1	27	40¼	13½
	D1240	1	11⅞	40⅞	¾
	BL1540	1	15	40¼	¾
	H90	2	–	–	–
WBC30/3340	X-W3040	1	30	40¼	13½
	D1540	1	14⅞	40⅞	¾
	BL1540	1	15	40¼	¾
	H90	2	–	–	–
WBC33/3640	X-W3340	1	33	40¼	13½
	D1840	2	17⅞	40⅞	¾
	BL1540	1	15	40¼	¾
	H90	2	–	–	–
WBC36/3940	X-W3640	1	36	40¼	13½
	D2140	1	20⅞	40⅞	¾
	BL1540	1	15	40¼	¾
	H90	2	–	–	–

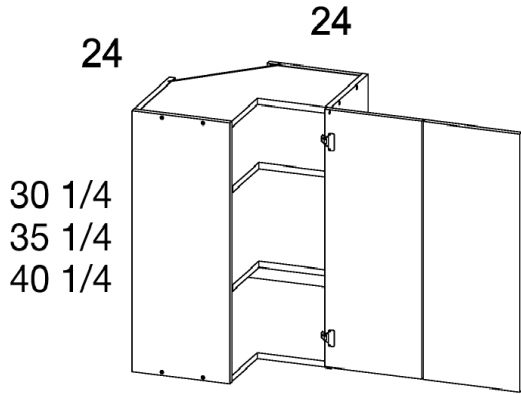
Filler required to join adjacent cabinet (purchased separately)

CABINET	MIN	MAX
WBC24/2740	24	27
WBC27/3040	27	30
WBC30/3340	30	33
WBC33/3640	33	36
WBC36/3940	36	39

CABINET	W	L
WBC24/2740	24	9
WBC27/3040	27	12
WBC30/3340	30	15
WBC33/3640	33	18
WBC36/3940	36	21

PRODUCT SPECIFICATIONS

Wall Easy Reach Cabinets

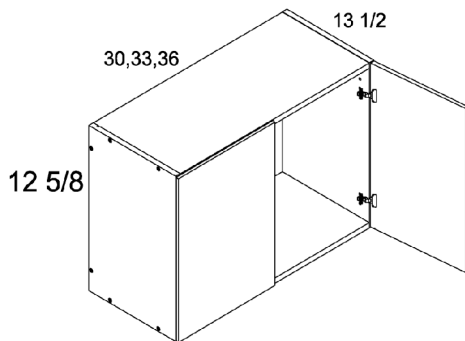


MODEL	COMPONENT	QTY	WIDTH	HEIGHT	DEPTH
WER2430	X-WER2430	1	24	30 1/4	13 1/2
	DER2430	1	9 3/8	30 1/8	3/4
WER2435	X-WER2435	1	24	35 1/4	13 1/2
	DER2435	1	9 3/8	35 1/8	3/4
WER2440	X-WER2440	1	24	40 1/4	13 1/2
	DER2440	1	9 3/8	40 1/8	3/4

WER2440 contains three shelves

25

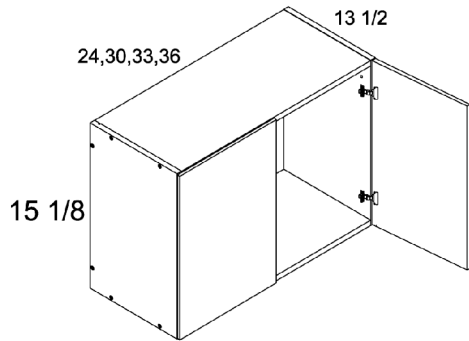
12-5/8" H Wall Bridge Cabinets



MODEL	COMPONENT	QTY	WIDTH	HEIGHT	DEPTH
W3012	X-W3012	1	30	12 5/8	13 1/2
	D3012	1	14 7/8	12 1/2	3/4
W3312	X-W3312	1	33	12 5/8	13 1/2
	D3312	1	16 3/8	12 1/2	3/4
W3612	X-W3612	1	36	12 5/8	13 1/2
	D3612	1	17 7/8	12 1/2	3/4

PRODUCT SPECIFICATIONS

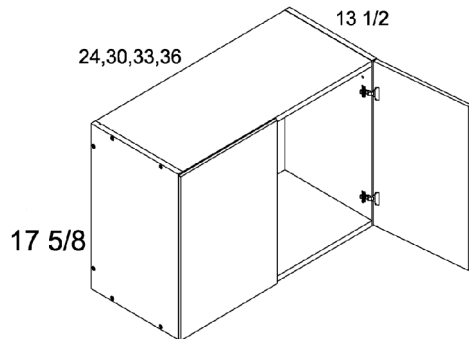
15-1/8" H Wall Bridge Cabinets



MODEL	COMPONENT	QTY	WIDTH	HEIGHT	DEPTH
W2415	X-W2415	1	24	15 $\frac{1}{8}$	13 $\frac{1}{2}$
	D2415	1	11 $\frac{7}{8}$	15	$\frac{3}{4}$
W3015	X-W3015	1	30	15 $\frac{1}{8}$	13 $\frac{1}{2}$
	D3015	1	14 $\frac{7}{8}$	15	$\frac{3}{4}$
W3315	X-W3315	1	33	15 $\frac{1}{8}$	13 $\frac{1}{2}$
	D3315	1	16 $\frac{3}{8}$	15	$\frac{3}{4}$
W3615	X-W3615	1	36	15 $\frac{1}{8}$	13 $\frac{1}{2}$
	D3615	1	17 $\frac{7}{8}$	15	$\frac{3}{4}$

26

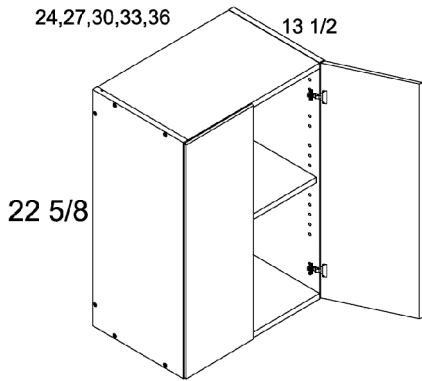
17-5/8" H Wall Bridge Cabinets



MODEL	COMPONENT	QTY	WIDTH	HEIGHT	DEPTH
W2418	X-W2418	1	24	17 $\frac{5}{8}$	13 $\frac{1}{2}$
	D2418	1	11 $\frac{7}{8}$	17 $\frac{1}{2}$	$\frac{3}{4}$
W3018	X-W3018	1	30	17 $\frac{5}{8}$	13 $\frac{1}{2}$
	D3018	1	14 $\frac{7}{8}$	17 $\frac{1}{2}$	$\frac{3}{4}$
W3318	X-W3318	1	33	17 $\frac{5}{8}$	13 $\frac{1}{2}$
	D3318	1	16 $\frac{3}{8}$	17 $\frac{1}{2}$	$\frac{3}{4}$
W3618	X-W3618	1	36	17 $\frac{5}{8}$	13 $\frac{1}{2}$
	D3618	1	17 $\frac{7}{8}$	17 $\frac{1}{2}$	$\frac{3}{4}$

PRODUCT SPECIFICATIONS

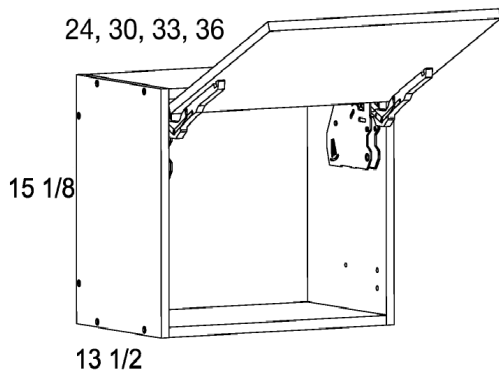
22-5/8" H Wall Bridge Cabinets



MODEL	COMPONENT	QTY	WIDTH	HEIGHT	DEPTH
W2423	X-W2423	1	24	22 ⁵ / ₈	13 ¹ / ₂
	D2423	1	11 ⁷ / ₈	22 ¹ / ₂	³ / ₄
W2723	X-W2723	1	27	22 ⁵ / ₈	13 ¹ / ₂
	D2723	1	13 ³ / ₈	22 ¹ / ₂	³ / ₄
W3023	X-W3023	1	30	22 ⁵ / ₈	13 ¹ / ₂
	D3023	1	14 ⁷ / ₈	22 ¹ / ₂	³ / ₄
W3323	X-W3323	1	33	22 ⁵ / ₈	13 ¹ / ₂
	D3323	1	16 ³ / ₈	22 ¹ / ₂	³ / ₄
W3623	X-W3623	1	36	22 ⁵ / ₈	13 ¹ / ₂
	D3623	1	17 ⁷ / ₈	22 ¹ / ₂	³ / ₄

27

15-1/8" H Blum Aventos Flip Up Door Wall Cabinets

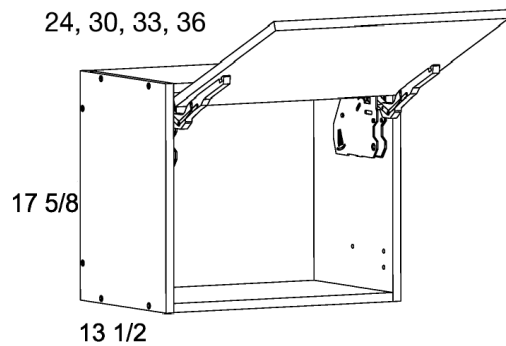


MODEL	COMPONENT	QTY	WIDTH	HEIGHT	DEPTH
WFD2415-BLUM	X-W2415	1	24	15 ¹ / ₈	13 ¹ / ₂
	DH2415	1	23 ⁷ / ₈	15	³ / ₄
	HK2300	1	PF 420-1610		
WFD3015-BLUM	X-W3015	1	30	15 ¹ / ₈	13 ¹ / ₂
	DH3015	1	29 ⁷ / ₈	15	³ / ₄
	HK2500	1	PF 930-2800		
WFD3315-BLUM	X-W3315	1	33	15 ¹ / ₈	13 ¹ / ₂
	DH3315	1	32 ⁷ / ₈	15	³ / ₄
	HK2500	1	PF 930-2800		
WFD3615-BLUM	X-W3615	1	36	15 ¹ / ₈	13 ¹ / ₂
	DH3615	1	35 ⁷ / ₈	15	³ / ₄
	HK2500	1	PF 930-2800		

PF Rating or Power Factor, is the value used to determine the correct lift mechanism for a given cabinet door based on its size and weight.

PRODUCT SPECIFICATIONS

17-5/8" H Blum Aventos Flip Up Door Wall Cabinets

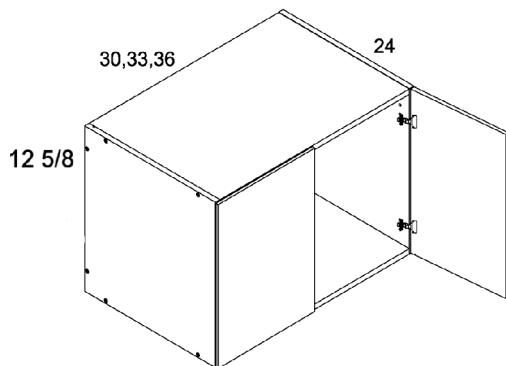


MODEL	COMPONENT	QTY	WIDTH	HEIGHT	DEPTH
WFD2418-BLUM	X-W2418	1	24	17 ⁵ / ₈	13 ¹ / ₂
	DH2418	1	23 ⁷ / ₈	17 ¹ / ₂	³ / ₄
	HK2500	1	PF 930-2800		
WFD3018-BLUM	X-W3018	1	30	17 ⁵ / ₈	13 ¹ / ₂
	DH3018	1	29 ⁷ / ₈	17 ¹ / ₂	³ / ₄
	HK2500	1	PF 930-2800		
WFD3318-BLUM	X-W3318	1	33	17 ⁵ / ₈	13 ¹ / ₂
	DH3318	1	32 ⁷ / ₈	17 ¹ / ₂	³ / ₄
	HK2500	1	PF 930-2800		
WFD3618-BLUM	X-W3618	1	36	17 ⁵ / ₈	13 ¹ / ₂
	DH3618	1	35 ⁷ / ₈	17 ¹ / ₂	³ / ₄
	HK2500	1	PF 930-2800		

PF Rating or Power Factor, is the value used to determine the correct lift mechanism for a given cabinet door based on its size and weight.

28

12-5/8" H Wall Refrigerator Cabinets

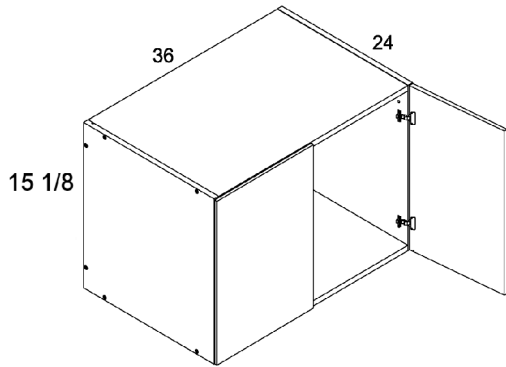


MODEL	COMPONENT	QTY	WIDTH	HEIGHT	DEPTH
W301224	X-W301224	1	30	12 ⁵ / ₈	24
	D3012	1	14 ⁷ / ₈	12 ¹ / ₂	³ / ₄
W331224	X-W331224	1	33	12 ⁵ / ₈	24
	D3312	1	16 ³ / ₈	12 ¹ / ₂	³ / ₄
W361224	X-W361224	1	36	12 ⁵ / ₈	24
	D3612	1	17 ⁷ / ₈	12 ¹ / ₂	³ / ₄

PRODUCT SPECIFICATIONS

15-1/8" H Wall Refrigerator Cabinet

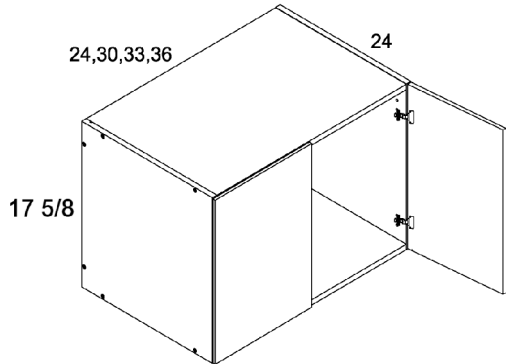
MODEL	COMPONENT	QTY	WIDTH	HEIGHT	DEPTH
W361524	X-W361524	1	36	15 1/8	24
	D3615	1	17 7/8	15	3/4



29

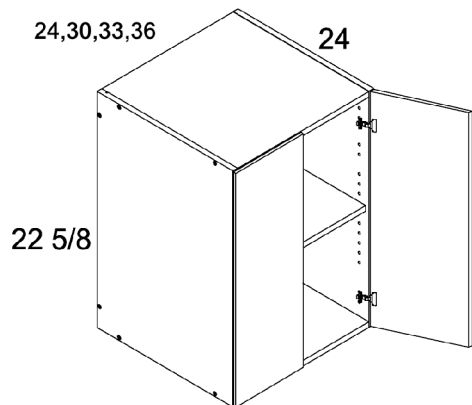
17-5/8" H Wall Refrigerator Cabinets

MODEL	COMPONENT	QTY	WIDTH	HEIGHT	DEPTH
W241824	X-W241824	1	24	17 5/8	24
	D2418	1	11 7/8	17 1/2	3/4
W301824	X-W301824	1	30	17 5/8	24
	D3018	1	14 7/8	17 1/2	3/4
W331824	X-W331824	1	33	17 5/8	24
	D3318	1	16 3/8	17 1/2	3/4
W361824	X-W361824	1	36	17 5/8	24
	D3618	1	17 7/8	17 1/2	3/4



PRODUCT SPECIFICATIONS

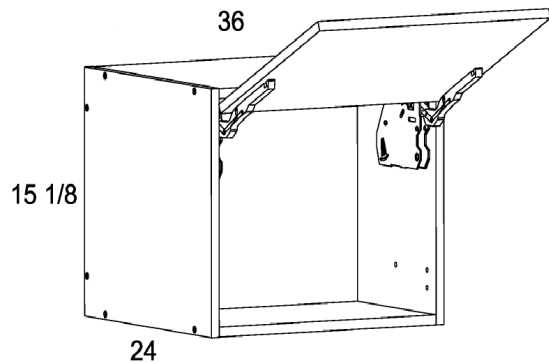
22-5/8" H Wall Refrigerator Cabinets



MODEL	COMPONENT	QTY	WIDTH	HEIGHT	DEPTH
W242324	X-W242324	1	24	22 ⁵ / ₈	24
	D2423	1	11 ⁷ / ₈	22 ¹ / ₂	³ / ₄
W302324	X-W302324	1	30	22 ⁵ / ₈	24
	D3023	1	14 ⁷ / ₈	22 ¹ / ₂	³ / ₄
W332324	X-W332324	1	33	22 ⁵ / ₈	24
	D3323	1	16 ³ / ₈	22 ¹ / ₂	³ / ₄
W362324	X-W362324	1	36	22 ⁵ / ₈	24
	D3623	1	17 ⁷ / ₈	22 ¹ / ₂	³ / ₄

30

15-1/8" H x 24" D Blum Aventos Flip Up Door Wall Cabinet

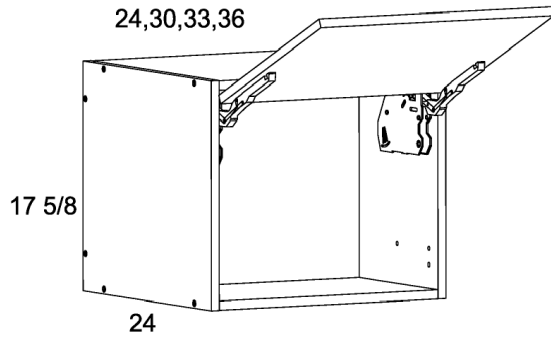


MODEL	COMPONENT	QTY	WIDTH	HEIGHT	DEPTH
WFD361524- BLUM	X-W361524	1	36	15 ¹ / ₈	24
	DH3615	1	35 ⁷ / ₈	15	³ / ₄
	HK2500	1	PF 930-2800		

PF Rating or Power Factor, is the value used to determine the correct lift mechanism for a given cabinet door based on its size and weight.

PRODUCT SPECIFICATIONS

17-5/8" H x 24" D Blum Aventos Flip Up Door Wall Cabinets

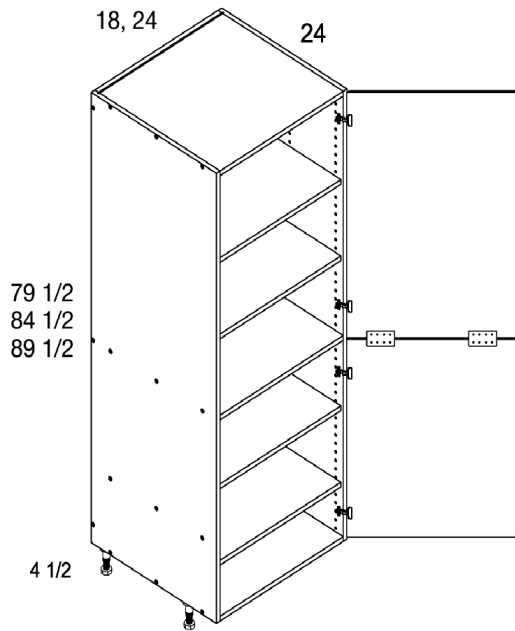


MODEL	COMPONENT	QTY	WIDTH	HEIGHT	DEPTH
WFD241824-BLUM	X-W241824	1	24	17 ⁵ / ₈	24
	DH2418	1	23 ⁷ / ₈	17 ¹ / ₂	³ / ₄
	HK2500	1	PF 930-2800		
WFD301824-BLUM	X-W301824	1	30	17 ⁵ / ₈	24
	DH3018	1	29 ⁷ / ₈	17 ¹ / ₂	³ / ₄
	HK2500	1	PF 930-2800		
WFD331824-BLUM	X-W331824	1	33	17 ⁵ / ₈	24
	DH3318	1	32 ⁷ / ₈	17 ¹ / ₂	³ / ₄
	HK2500	1	PF 930-2800		
WFD361824-BLUM	X-W361824	1	36	17 ⁵ / ₈	24
	DH3618	1	35 ⁷ / ₈	17 ¹ / ₂	³ / ₄
	HK2500	1	PF 930-2800		

PF Rating or Power Factor, is the value used to determine the correct lift mechanism for a given cabinet door based on its size and weight.

PRODUCT SPECIFICATIONS

Tall Two Door Utility Cabinets

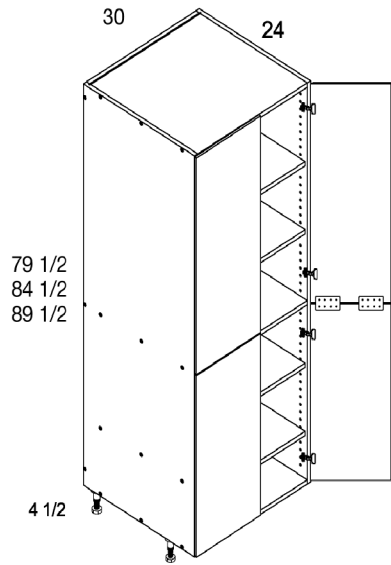


MODEL	COMPONENT	QTY	WIDTH	HEIGHT	DEPTH
T1884	X-T1884	1	18	79½	24
	D1830	1	17⅞	30⅞	¾
	D1849	1	17⅞	49	¾
	WG-AS1824	2	16½	¾	22
T1889	X-T1889	1	18	84½	24
	D1830	1	17⅞	30⅞	¾
	D1854	1	17⅞	54	¾
	WG-AS1824	2	16½	¾	22
T1894	X-T1894	1	18	89½	24
	D1830	1	17⅞	30⅞	¾
	D1859	1	17⅞	59 ¹	¾
	WG-AS1824	2	16½	¾	22
T2484	X-T2484	1	24	79½	24
	D2430	1	23⅞	30⅞	¾
	D2449S	1	23⅞	49	¾
	WG-AS2424	2	22½	¾	22
T2489	X-T2489	1	24	84½	24
	D2430	1	23⅞	30⅞	¾
	D2454S	1	23⅞	54	¾
	WG-AS2424	2	22½	¾	22
T2494	X-T2494	1	24	89½	24
	D2430	1	23⅞	30⅞	¾
	D2459S	1	23⅞	59	¾
	WG-AS2424	2	22½	¾	22

32

PRODUCT SPECIFICATIONS

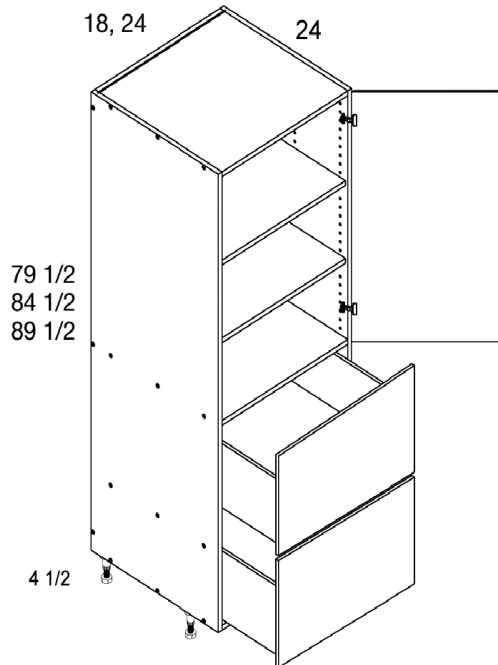
Tall Four Door Utility Cabinets



MODEL	COMPONENT	QTY	WIDTH	HEIGHT	DEPTH
T3084	X-T3084	1	30	79 1/2	24
	D1530	2	14 7/8	30 1/8	3/4
	D1549	2	14 7/8	49	3/4
	WG-AS3024	2	28 1/2	3/4	22
T3089	X-T3089	1	30	84 1/2	24
	D1530	2	14 7/8	30 1/8	3/4
	D1554	2	14 7/8	54	3/4
	WG-AS3024	2	28 1/2	3/4	22
T3094	X-T3094	1	30	89 1/2	24
	D1530	2	14 7/8	30 1/8	3/4
	D1559	2	14 7/8	59	3/4
	WG-AS3024	2	28 1/2	3/4	22

PRODUCT SPECIFICATIONS

Tall One Door Two Drawer Utility Cabinets

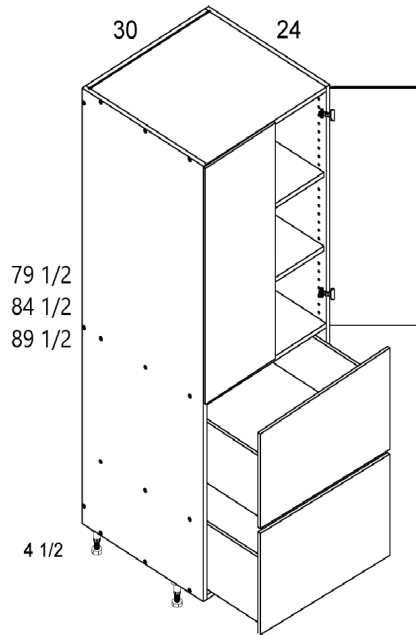


MODEL	COMPONENT	QTY	WIDTH	HEIGHT	DEPTH
T2DB1884	X-T1884	1	18	79½	24
	2DR18	1	17⅞	15	¾
	D1849	1	17⅞	49	¾
	WG-AS1824	1	16½	¾	22
	AMC18-550	2	16⅞	6¾	21⅝
T2DB1889	X-T1889	1	18	84½	24
	2DR18	1	17⅞	15	¾
	D1854	1	17⅞	54	¾
	WG-AS1824	1	16½	¾	22
	AMC18-550	2	16⅞	6¾	21⅝
T2DB1894	X-T1894	1	18	89½	24
	2DR18	1	17⅞	15	¾
	D1859	1	17⅞	59	¾
	WG-AS1824	1	16½	¾	22
	AMC18-550	2	16⅞	6¾	21⅝
T2DB2484	X-T2484	1	24	79½	24
	2DR24	1	23⅞	15	¾
	D2449S	1	23⅞	49	¾
	WG-AS2424	1	22½	¾	22
	AMC24-550	2	22⅞	6¾	21⅝
T2DB2489	X-T2489	1	24	84½	24
	2DR24	1	23⅞	15	¾
	D2454S	1	23⅞	54	¾
	WG-AS2424	1	22½	¾	22
	AMC24-550	2	22⅞	6¾	21⅝
T2DB2494	X-T2494	1	24	89½	24
	2DR24	1	23⅞	15	¾
	D2459S	1	23⅞	59	¾
	WG-AS2424	1	22½	¾	22
	AMC24-550	2	22⅞	6¾	21⅝

34

PRODUCT SPECIFICATIONS

Tall Two Door Two Drawer Utility Cabinets

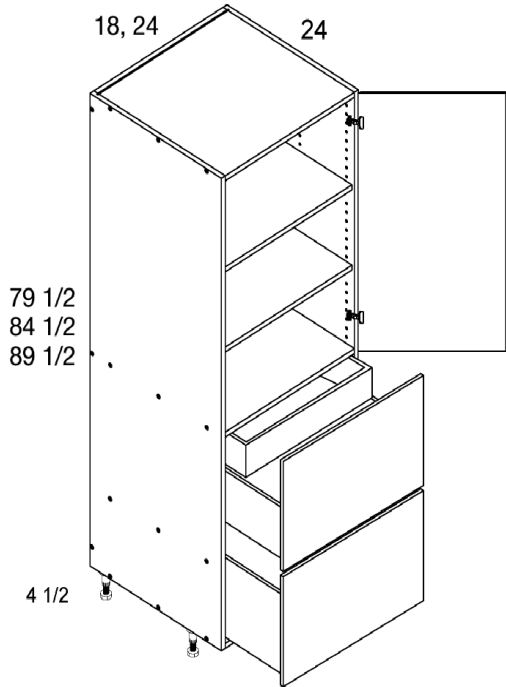


MODEL	COMPONENT	QTY	WIDTH	HEIGHT	DEPTH
T2DB3084	X-T3084	1	30	79½	24
	2DR30	1	29⅞	15	¾
	D1549	2	14⅞	49	¾
	WG-AS3024	1	28½	¾	22
	AMC30-550	2	28⅞	6¾	21⅝
T2DB3089	X-T3089	1	30	84½	24
	2DR30	1	29⅞	15	¾
	D1554	2	14⅞	54	¾
	WG-AS3024	1	28½	¾	22
	AMC30-550	2	28⅞	6¾	21⅝
T2DB3094	X-T3094	1	30	89½	24
	2DR30	1	29⅞	15	¾
	D1559	2	14⅞	59	¾
	WG-AS3024	1	28½	¾	22
	AMC30-550	2	28⅞	6¾	21⅝

35

PRODUCT SPECIFICATIONS

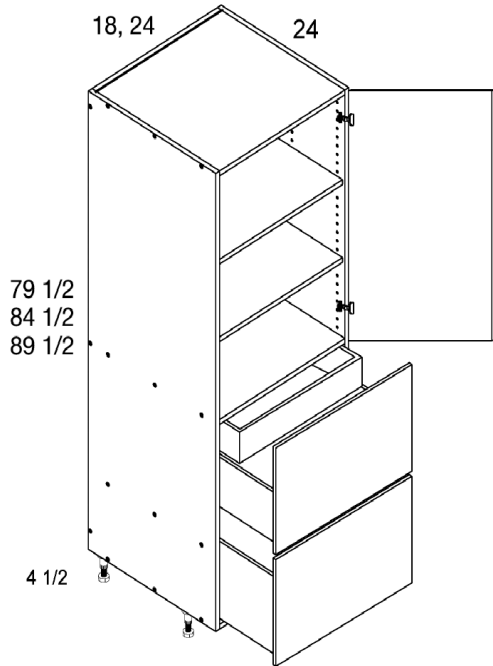
Tall One Door Two Drawer with One Inner Drawer Utility Cabinets



MODEL	COMPONENT	QTY	WIDTH	HEIGHT	DEPTH
T2DBID1884	X-T1884	1	18	79½	24
	D1849	1	17⅞	49	¾
	2DR18	1	17⅞	15	¾
	WG-AS1824	1	16½	¾	22
	AMK18-550	1	16⅞	5	21⅝
	AMK18ID-550	1	16⅞	5	21⅝
	AMC18-550	1	16⅞	6¾	21⅝
T2DBID1889	X-T1889	1	18	84½	24
	D1854	1	17⅞	54	¾
	2DR18	1	17⅞	15	¾
	WG-AS1824	1	16½	¾	22
	AMK18-550	1	16⅞	5	21⅝
	AMK18ID-550	1	16⅞	5	21⅝
	AMC18-550	1	16⅞	6¾	21⅝
T2DBID1894	X-T1894	1	18	89½	24
	D1859	1	17⅞	59	¾
	2DR18	1	17⅞	15	¾
	WG-AS1824	1	16½	¾	22
	AMK18-550	1	16⅞	5	21⅝
	AMK18ID-550	1	16⅞	5	21⅝
	AMC18-550	1	16⅞	6¾	21⅝

PRODUCT SPECIFICATIONS

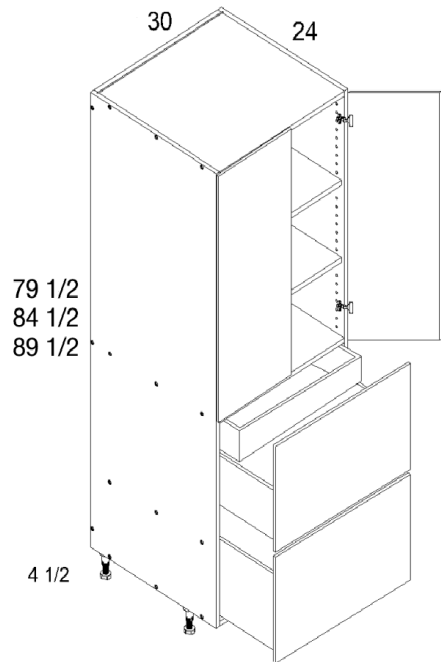
Tall One Door Two Drawer with One Inner Drawer Utility Cabinets



MODEL	COMPONENT	QTY	WIDTH	HEIGHT	DEPTH
T2DBID2484	X-T2484	1	24	79½	24
	D2449S	1	23¾	49	¾
	2DR24	1	23¾	15	¾
	WG-AS2424	1	22½	¾	22
	AMK24-550	1	22⅛	5	21⅝
	AMK24ID-550	1	22⅛	5	21⅝
	AMC24-550	1	22⅛	6¾	21⅝
T2DBID2489	X-T2489	1	24	84½	24
	D2454S	1	23¾	54	¾
	2DR24	1	23¾	15	¾
	WG-AS2424	1	22½	¾	22
	AMK24-550	1	22⅛	5	21⅝
	AMK24ID-550	1	22⅛	5	21⅝
	AMC24-550	1	22⅛	6¾	21⅝
T2DBID2494	X-T2494	1	24	89½	24
	D2459S	1	23¾	59	¾
	2DR24	1	23¾	15	¾
	WG-AS2424	1	22½	¾	22
	AMK24-550	1	22⅛	5	21⅝
	AMK24ID-550	1	22⅛	5	21⅝
	AMC24-550	1	22⅛	6¾	21⅝

PRODUCT SPECIFICATIONS

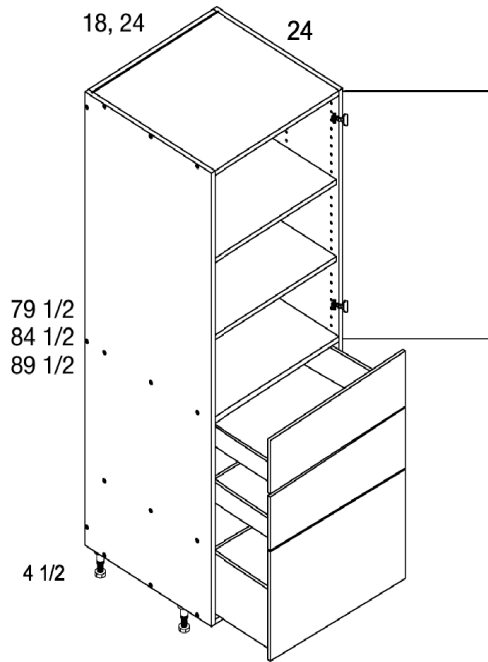
Tall Two Door Two Drawer with One Inner Drawer Utility Cabinets



MODEL	COMPONENT	QTY	WIDTH	HEIGHT	DEPTH
T2DBID3084	X-T3084	1	30	79½	24
	D1549	1	14⅞	49	¾
	2DR30	1	29⅞	14⅞	¾
	WG-AS3024	1	28½	¾	22
	AMK30-550	1	28⅞	5	21⅝
	AMK30ID-550	1	28⅞	5	21⅝
	AMC30-550	1	28⅞	6¾	21⅝
T2DBID3089	X-T3089	1	30	84½	24
	D1554	1	14⅞	54	¾
	2DR30	1	29⅞	14⅞	¾
	WG-AS3024	1	28½	¾	22
	AMK30-550	1	28⅞	5	21⅝
	AMK30ID-550	1	28⅞	5	21⅝
	AMC30-550	1	28⅞	6¾	21⅝
T2DBID3094	X-T3094	1	30	89½	24
	D1559	1	14⅞	59⅙	¾
	2DR30	1	29⅞	14⅞	¾
	WG-AS3024	1	28½	¾	22
	AMK30-550	1	28⅞	5	21⅝
	AMK30ID-550	1	28⅞	5	21⅝
	AMC30-550	1	28⅞	6¾	21⅝

PRODUCT SPECIFICATIONS

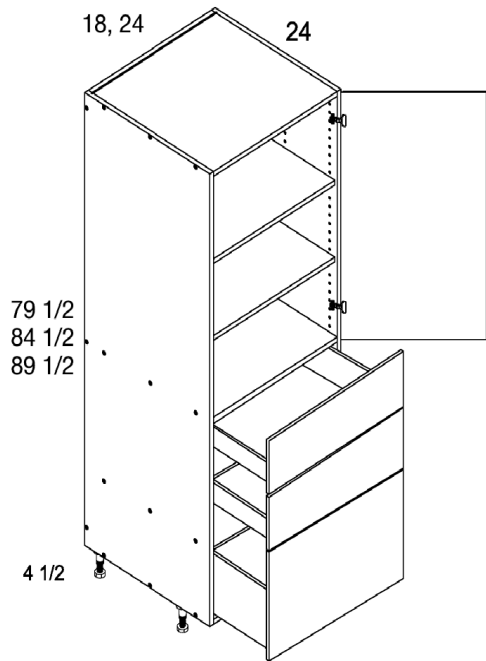
Tall One Door Three Drawer Utility Cabinets



MODEL	COMPONENT	QTY	WIDTH	HEIGHT	DEPTH
T3DB1884	X-T1884	1	18	79½	24
	D1849	1	17⅞	49	¾
	3DR18	1	17⅞	7¾	¾
			17⅞	15	¾
	WG-AS1824	1	16½	¾	22
	AMK18-550	2	16⅞	5	21⅝
AMC18-550	1	16⅞	6¾	21⅝	
T3DB1889	X-T1889	1	18	84½	24
	D1854	1	17⅞	54	¾
	3DR18	1	17⅞	7¾	¾
			17⅞	15	¾
	WG-AS1824	1	16½	¾	22
	AMK18-550	2	16⅞	5	21⅝
AMC18-550	1	16⅞	6¾	21⅝	
T3DB1894	X-T1894	1	18	89½	24
	D1859	1	17⅞	59	¾
	3DR18	1	17⅞	7¾	¾
			17⅞	15	¾
	WG-AS1824	1	16½	¾	22
	AMK18-550	2	16⅞	5	21⅝
AMC18-550	1	16⅞	6¾	21⅝	

PRODUCT SPECIFICATIONS

Tall One Door Three Drawer Utility Cabinets

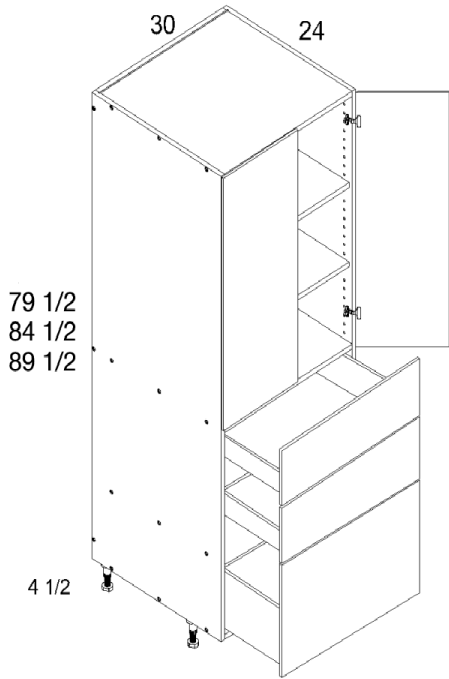


MODEL	COMPONENT	QTY	WIDTH	HEIGHT	DEPTH
T3DB2484	X-T2484	1	24	79½	24
	D2449S	1	23¾	49	¾
	3DR24	1	23¾	7¾	¾
			23¾	15	¾
	WG-AS2424	1	22½	¾	22
	AMK24-550	2	22½	5	21⅝
	AMC24-550	1	22½	6¾	21⅝
T3DB2489	X-T2489	1	24	84½	24
	D2454S	1	23¾	54	¾
	3DR24	1	23¾	7¾	¾
			23¾	15	¾
	WG-AS2424	1	22½	¾	22
	AMK24-550	2	22½	5	21⅝
	AMC24-550	1	22½	6¾	21⅝
T3DB2494	X-T2494	1	24	89½	24
	D2459S	1	23¾	59	¾
	3DR24	1	23¾	7¾	¾
			23¾	15	¾
	WG-AS2424	1	22½	¾	22
	AMK24-550	2	22½	5	21⅝
	AMC24-550	1	22½	6¾	21⅝

40

PRODUCT SPECIFICATIONS

Tall Two Door Three Drawer Utility Cabinets

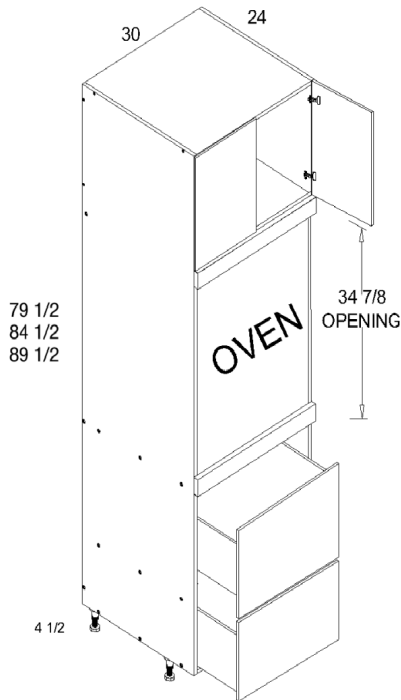


41

MODEL	COMPONENT	QTY	WIDTH	HEIGHT	DEPTH
T3DB3084	X-T3084	1	30	79½	24
	D1549	2	14⅞	49	¾
	3DR30	1	29⅞	7⅜	¾
			29⅞	15	¾
	WG-AS3024	1	28½	¾	22
	AMK30-550	2	28⅞	5	21⅝
AMC30-550	1	28⅞	6¾	21⅝	
T3DB3089	X-T3089	1	30	84½	24
	D1554	2	14⅞	54	¾
	3DR30	1	29⅞	7⅜	¾
			29⅞	15	¾
	WG-AS3024	1	28½	¾	22
	AMK30-550	2	28⅞	5	21⅝
AMC30-550	1	28⅞	6¾	21⅝	
T3DB3094	X-T3094	1	30	89½	24
	D1559	2	14⅞	59	¾
	3DR30	1	29⅞	7⅜	¾
			29⅞	15	¾
	WG-AS3024	1	28½	¾	22
	AMK30-550	2	28⅞	5	21⅝
AMC30-550	1	28⅞	6¾	21⅝	

PRODUCT SPECIFICATIONS

Tall Single Oven Two Drawer Utility Cabinet

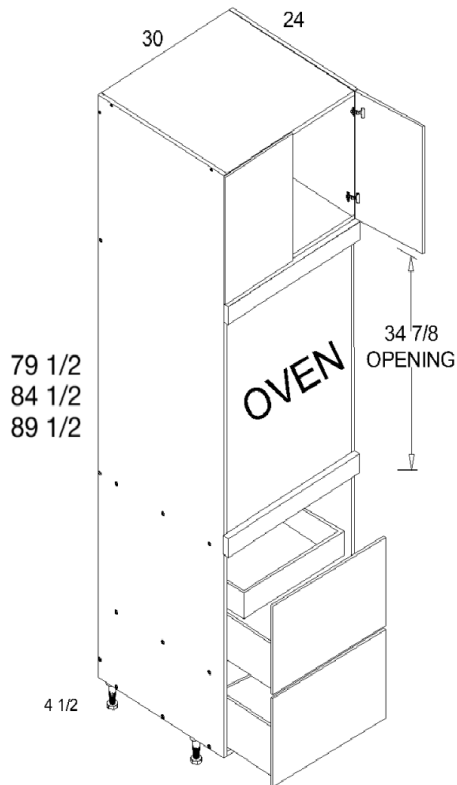


MODEL	COMPONENT	QTY	WIDTH	HEIGHT	DEPTH
TOS2DB3084	X-T3084	1	30	79½	24
	D3012	1	14⅞	12½	¾
	2DR30	1	29⅞	15	¾
	AF3006	1	29⅞	5⅞	¾
	AMC30-550	2	28⅞	6¾	21⅝
TOS2DB3089	X-T3089	1	30	84½	24
	D3018	1	14⅞	17½	¾
	2DR30	1	29⅞	15	¾
	AF3006	1	29⅞	5⅞	¾
	AMC30-550	2	28⅞	6¾	21⅝
TOS2DB3094	X-T3094	1	30	89½	24
	D3023	1	14⅞	22½	¾
	2DR30	1	29⅞	15	¾
	WG-AS3024	1	28½	¾	22
	AF3006	1	29⅞	5⅞	¾
	AMC30-550	2	28⅞	6¾	21⅝

TOS2DB3094 contains upper shelves

PRODUCT SPECIFICATIONS

Tall Single Oven Two Drawer One Inner Drawer Utility Cabinet

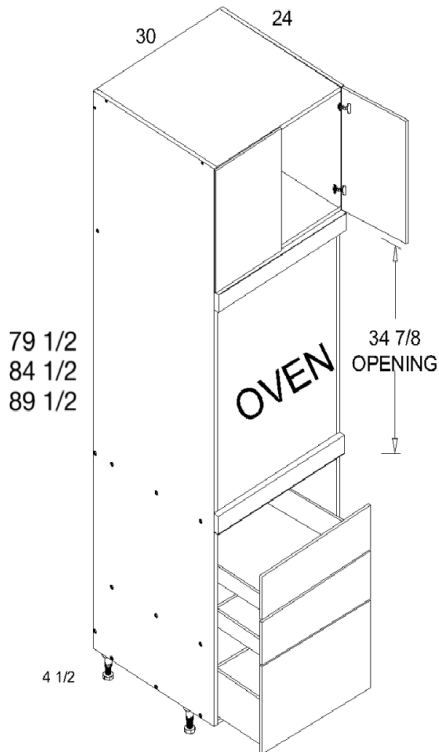


MODEL	COMPONENT	QTY	WIDTH	HEIGHT	DEPTH
TOS2DBID3084	X-T3084	1	30	79½	24
	D3012	1	14⅞	12½	¾
	2DR30	1	29⅞	15	¾
	AF3006	1	29⅞	5⅞	¾
	AMK30-550	1	28⅞	5	21⅝
	AMK30ID-550	1	28⅞	5	21⅝
	AMC30-550	1	28⅞	6¾	21⅝
TOS2DBID3089	X-T3089	1	30	84½	24
	D3018	1	14⅞	17½	¾
	2DR30	1	29⅞	15	¾
	AF3006	1	29⅞	5⅞	¾
	AMK30-550	1	28⅞	5	21⅝
	AMK30ID-550	1	28⅞	5	21⅝
	AMC30-550	1	28⅞	6¾	21⅝
TOS2DBID3094	X-T3094	1	30	89½	24
	D3023	1	14⅞	22½	¾
	2DR30	1	29⅞	15	¾
	WG-AS3024	1	28½	¾	22
	AF3006	1	29⅞	5⅞	¾
	AMK30-550	1	28⅞	5	21⅝
	AMC30-550	1	28⅞	6¾	21⅝

TOS2DBID3094 contains upper shelves

PRODUCT SPECIFICATIONS

Tall Single Oven Three Drawer Utility Cabinet

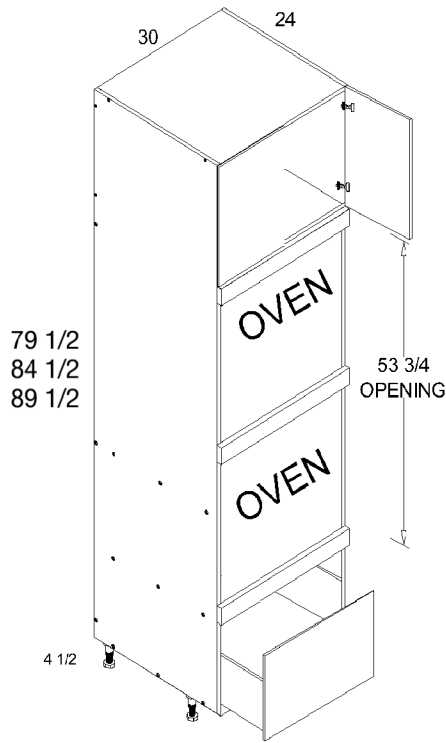


MODEL	COMPONENT	QTY	WIDTH	HEIGHT	DEPTH
TOS3DB3084	X-T3084	1	30	79½	24
	D3012	1	14⅞	12½	¾
	3DR30	1	29⅞	7⅞	¾
			29⅞	15	¾
	AF3006	1	29⅞	5⅞	¾
	AMK30-550	2	28⅞	5	21⅝
AMC30-550	1	28⅞	6¾	21⅝	
TOS3DB3089	X-T3089	1	30	84½	24
	D3018	1	14⅞	17½	¾
	3DR30	1	29⅞	7⅞	¾
			29⅞	15	¾
	AF3006	1	29⅞	5⅞	¾
	AMK30-550	2	28⅞	5	21⅝
AMC30-550	1	28⅞	6¾	21⅝	
TOS3DB3094	X-T3094	1	30	89½	24
	D3023	1	14⅞	22½	¾
	3DR30	1	29⅞	7⅞	¾
			29⅞	15	¾
	WG-AS3024	1	28½	¾	22
	AF3006	1	29⅞	5⅞	¾
	AMK30-550	2	28⅞	5	21⅝
AMC30-550	1	28⅞	6¾	21⅝	

TOS3DB3094 contains upper shelves

PRODUCT SPECIFICATIONS

Tall Double Oven One Drawer Utility Cabinet

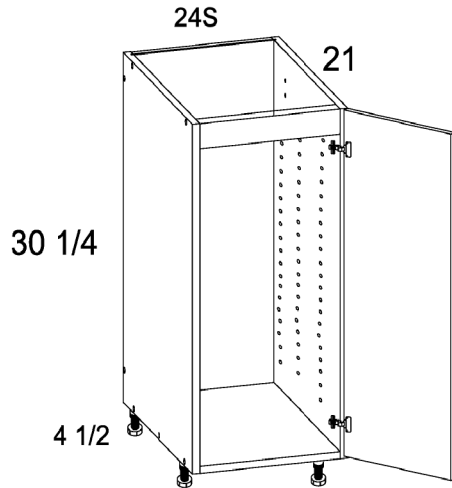


MODEL	COMPONENT	QTY	WIDTH	HEIGHT	DEPTH
TOD3084	X-T3084	1	30	79½	24
	D3012	1	14⅞	12½	¾
	DOV30	1	29⅞	11⅞	¾
			29⅞	5⅞	¾
AMC30-550	1	28⅞	6¾	21⅝	
TOD3089	X-T3089	1	30	84½	24
	D3018	1	14⅞	17½	¾
	DOV30	1	29⅞	11⅞	¾
			29⅞	5⅞	¾
AMC30-550	1	28⅞	6¾	21⅝	
TOD3094	X-T3094	1	30	89½	24
	D3023	1	14⅞	22½	¾
	DOV30	1	29⅞	11⅞	¾
			29⅞	5⅞	¾
	WG-AS3024	1	28½	¾	22
AMC30-550	1	28⅞	6¾	21⅝	

TOD3094 contains upper shelves.

PRODUCT SPECIFICATIONS

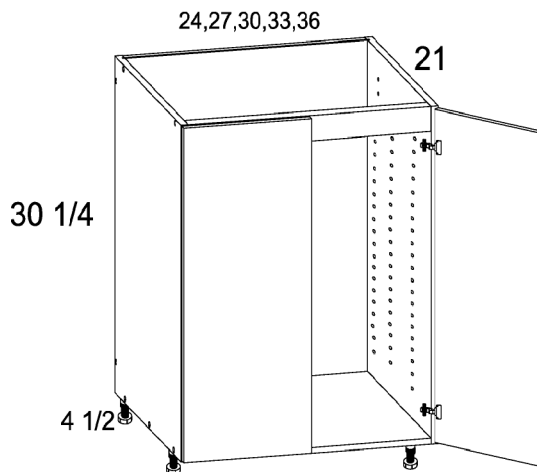
Single Full Height Door Vanity Sink Base



MODEL	COMPONENT	QTY	WIDTH	HEIGHT	DEPTH
VSB24SFH	X-VSB24	1	24	30 $\frac{1}{4}$	21
	D2430	1	23 $\frac{7}{8}$	30 $\frac{1}{8}$	$\frac{3}{4}$

46

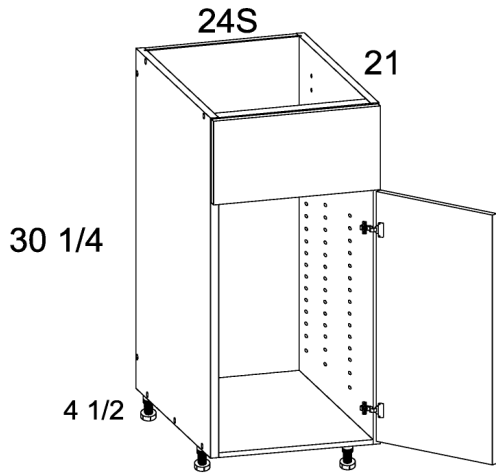
Double Full Height Door Vanity Sink Bases



MODEL	COMPONENT	QTY	WIDTH	HEIGHT	DEPTH
VSB24FH	X-VSB24	1	24	30 $\frac{1}{4}$	21
	D1230	2	11 $\frac{7}{8}$	30 $\frac{1}{8}$	$\frac{3}{4}$
VSB27FH	X-VSB27	1	27	30 $\frac{1}{4}$	21
	D1330	2	13 $\frac{3}{8}$	30 $\frac{1}{8}$	$\frac{3}{4}$
VSB30FH	X-VSB30	1	30	30 $\frac{1}{4}$	21
	D1530	2	14 $\frac{7}{8}$	30 $\frac{1}{8}$	$\frac{3}{4}$
VSB33FH	X-VSB33	1	33	30 $\frac{1}{4}$	21
	D1630	2	16 $\frac{3}{8}$	30 $\frac{1}{8}$	$\frac{3}{4}$
VSB36FH	X-VSB36	1	36	30 $\frac{1}{4}$	21
	D1830	2	17 $\frac{7}{8}$	30 $\frac{1}{8}$	$\frac{3}{4}$

PRODUCT SPECIFICATIONS

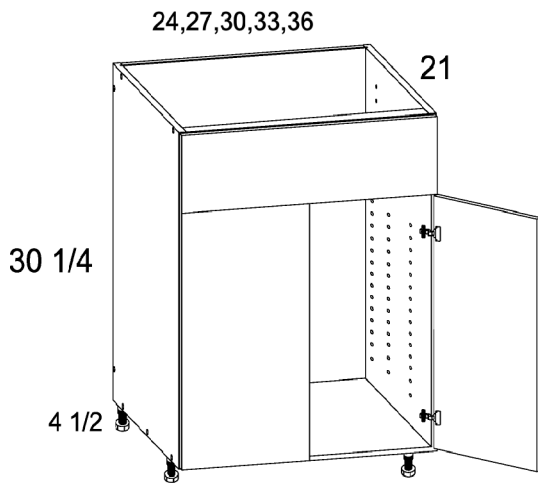
Single Door Single False Drawer Front Vanity Sink Base



MODEL	COMPONENT	QTY	WIDTH	HEIGHT	DEPTH
VSB24S	X-VSB24	1	24	30 $\frac{1}{4}$	21
	DD24S	1	23 $\frac{7}{8}$	7 $\frac{1}{2}$	$\frac{3}{4}$
			23 $\frac{7}{8}$	22 $\frac{1}{2}$	$\frac{3}{4}$

47

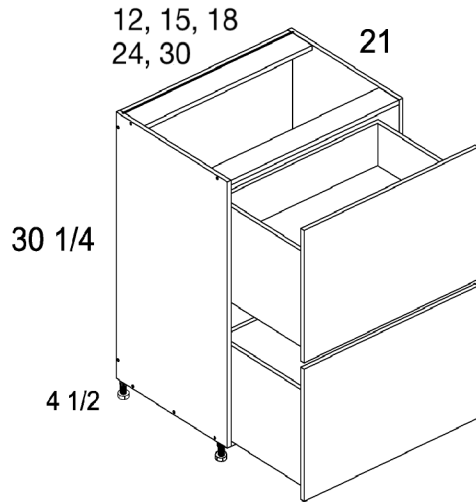
Double Door Single False Drawer Front Vanity Sink Bases



MODEL	COMPONENT	QTY	WIDTH	HEIGHT	DEPTH
VSB24	X-VSB24	1	24	30 $\frac{1}{4}$	21
	DD24	1	23 $\frac{7}{8}$	7 $\frac{3}{8}$	$\frac{3}{4}$
			11 $\frac{7}{8}$	22 $\frac{1}{2}$	$\frac{3}{4}$
VSB27	X-VSB27	1	27	30 $\frac{1}{4}$	21
	DD27	1	26 $\frac{7}{8}$	7 $\frac{3}{8}$	$\frac{3}{4}$
			13 $\frac{3}{8}$	22 $\frac{1}{2}$	$\frac{3}{4}$
VSB30	X-VSB30	1	30	30 $\frac{1}{4}$	21
	DD30	1	29 $\frac{7}{8}$	7 $\frac{3}{8}$	$\frac{3}{4}$
			14 $\frac{7}{8}$	22 $\frac{1}{2}$	$\frac{3}{4}$
VSB33	X-VSB33	1	33	30 $\frac{1}{4}$	21
	DD33	1	32 $\frac{7}{8}$	7 $\frac{3}{8}$	$\frac{3}{4}$
			16 $\frac{3}{8}$	22 $\frac{1}{2}$	$\frac{3}{4}$
VSB36	X-VSB36	1	36	30 $\frac{1}{4}$	21
	DD36	1	35 $\frac{7}{8}$	7 $\frac{3}{8}$	$\frac{3}{4}$
			17 $\frac{7}{8}$	22 $\frac{1}{2}$	$\frac{3}{4}$

PRODUCT SPECIFICATIONS

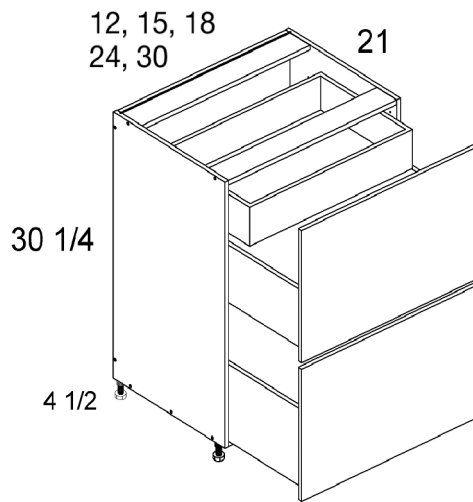
Two Drawer Vanity Bases



MODEL	COMPONENT	QTY	WIDTH	HEIGHT	DEPTH
2VDB12	X-VDB12	1	12	30 $\frac{1}{4}$	21
	2DR12	1	11 $\frac{7}{8}$	15	$\frac{3}{4}$
	DDRC450	2	$\frac{1}{2}$	6 $\frac{3}{4}$	18 $\frac{5}{8}$
2VDB15	X-VDB15	1	15	30 $\frac{1}{4}$	21
	2DR15	1	14 $\frac{7}{8}$	15	$\frac{3}{4}$
	DDRC450	2	$\frac{1}{2}$	6 $\frac{3}{4}$	18 $\frac{5}{8}$
2VDB18	X-VDB18	1	18	30 $\frac{1}{4}$	21
	2DR18	1	17 $\frac{7}{8}$	15	$\frac{3}{4}$
	DDRC450	2	$\frac{1}{2}$	6 $\frac{3}{4}$	18 $\frac{5}{8}$
2VDB24	X-VDB24	1	24	30 $\frac{1}{4}$	21
	2DR24	1	23 $\frac{7}{8}$	15	$\frac{3}{4}$
	DDRC450	2	$\frac{1}{2}$	6 $\frac{3}{4}$	18 $\frac{5}{8}$
2VDB30	X-VDB30	1	30	30 $\frac{1}{4}$	21
	2DR30	1	29 $\frac{7}{8}$	15	$\frac{3}{4}$
	DDRC450	2	$\frac{1}{2}$	6 $\frac{3}{4}$	18 $\frac{5}{8}$

48

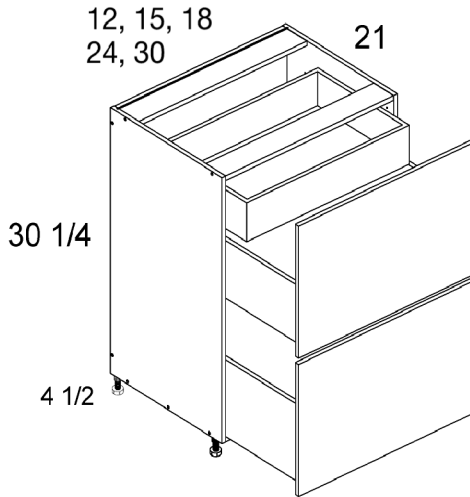
Two Drawer with One Inner Drawer Vanity Bases



MODEL	COMPONENT	QTY	WIDTH	HEIGHT	DEPTH
2VDBID12	X-VDB12	1	12	30 $\frac{1}{4}$	21
	2DR12	1	11 $\frac{7}{8}$	15	$\frac{3}{4}$
	DDRK450	2	$\frac{1}{2}$	5	18 $\frac{5}{8}$
	IDFK12	1	10 $\frac{1}{8}$	5	$\frac{1}{2}$
	DDRC450	1	$\frac{1}{2}$	6 $\frac{3}{4}$	18 $\frac{5}{8}$
2VDBID15	X-VDB15	1	15	30 $\frac{1}{4}$	21
	2DR15	1	14 $\frac{7}{8}$	15	$\frac{3}{4}$
	DDRK450	2	$\frac{1}{2}$	5	18 $\frac{5}{8}$
	IDFK15	1	13 $\frac{1}{8}$	5	$\frac{1}{2}$
	DDRC450	1	$\frac{1}{2}$	6 $\frac{3}{4}$	18 $\frac{5}{8}$
2VDBID18	X-VDB18	1	18	30 $\frac{1}{4}$	21
	2DR18	1	17 $\frac{7}{8}$	15	$\frac{3}{4}$
	DDRK450	2	$\frac{1}{2}$	5	18 $\frac{5}{8}$
	IDFK18	1	16 $\frac{1}{8}$	5	$\frac{1}{2}$
	DDRC450	1	$\frac{1}{2}$	6 $\frac{3}{4}$	18 $\frac{5}{8}$

PRODUCT SPECIFICATIONS

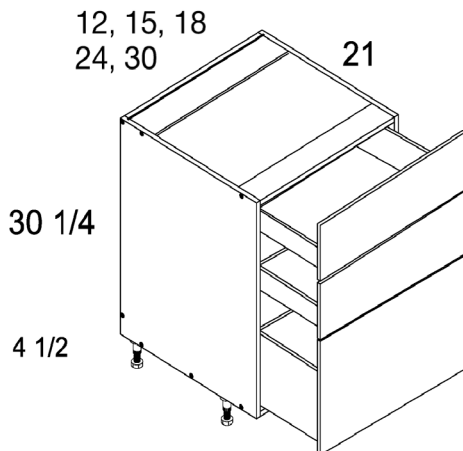
Two Drawer with One Inner Drawer Vanity Bases (Continued)



MODEL	COMPONENT	QTY	WIDTH	HEIGHT	DEPTH
2VDBID24	X-VDB24	1	24	30 $\frac{1}{4}$	21
	2DR24	1	23 $\frac{3}{8}$	15	$\frac{3}{4}$
	DDRK450	2	$\frac{1}{2}$	5	18 $\frac{5}{8}$
	IDFK24	1	22 $\frac{1}{8}$	5	$\frac{1}{2}$
	DDRC450	1	$\frac{1}{2}$	6 $\frac{3}{4}$	18 $\frac{5}{8}$
2VDBID30	X-VDB30	1	30	30 $\frac{1}{4}$	21
	2DR30	1	29 $\frac{7}{8}$	15	$\frac{3}{4}$
	DDRK450	2	$\frac{1}{2}$	5	18 $\frac{5}{8}$
	IDFK30	1	28 $\frac{1}{8}$	5	$\frac{1}{2}$
	DDRC450	1	$\frac{1}{2}$	6 $\frac{3}{4}$	18 $\frac{5}{8}$

49

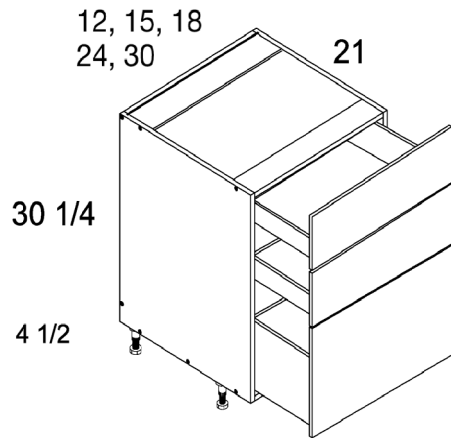
Three Drawer Vanity Bases



MODEL	COMPONENT	QTY	WIDTH	HEIGHT	DEPTH
3VDB12	X-VDB12	1	12	30 $\frac{1}{4}$	21
	3DR12	1	11 $\frac{7}{8}$	7 $\frac{3}{8}$	$\frac{3}{4}$
			11 $\frac{7}{8}$	15	$\frac{3}{4}$
	DDRK450	2	$\frac{1}{2}$	5	18 $\frac{5}{8}$
	DDRC450	1	$\frac{1}{2}$	6 $\frac{3}{4}$	18 $\frac{5}{8}$
3VDB15	X-VDB15	1	15	30 $\frac{1}{4}$	21
	3DR15	1	14 $\frac{7}{8}$	7 $\frac{3}{8}$	$\frac{3}{4}$
			14 $\frac{7}{8}$	15	$\frac{3}{4}$
	DDRK450	2	$\frac{1}{2}$	5	18 $\frac{5}{8}$
	DDRC450	1	$\frac{1}{2}$	6 $\frac{3}{4}$	18 $\frac{5}{8}$
3VDB18	X-VDB18	1	18	30 $\frac{1}{4}$	21
	3DR18	1	17 $\frac{7}{8}$	7 $\frac{3}{8}$	$\frac{3}{4}$
			17 $\frac{7}{8}$	15	$\frac{3}{4}$
	DDRK450	2	$\frac{1}{2}$	5	18 $\frac{5}{8}$
	DDRC450	1	$\frac{1}{2}$	6 $\frac{3}{4}$	18 $\frac{5}{8}$

PRODUCT SPECIFICATIONS

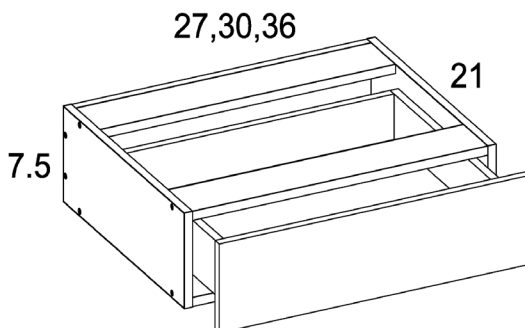
Three Drawer Vanity Bases (Continued)



MODEL	COMPONENT	QTY	WIDTH	HEIGHT	DEPTH
3VDB24	X-VDB24	1	24	30¼	21
	3DR24	1	23⅞	7⅞	¾
			23⅞	15	¾
	DDRK450	2	½	5	18⅝
DDRC450	1	½	6¾	18⅝	
3VDB30	X-VDB30	1	30	30¼	21
	3DR30	1	29⅞	7⅞	¾
			29⅞	15	¾
	DDRK450	2	½	5	18⅝
DDRC450	1	½	6¾	18⅝	

50

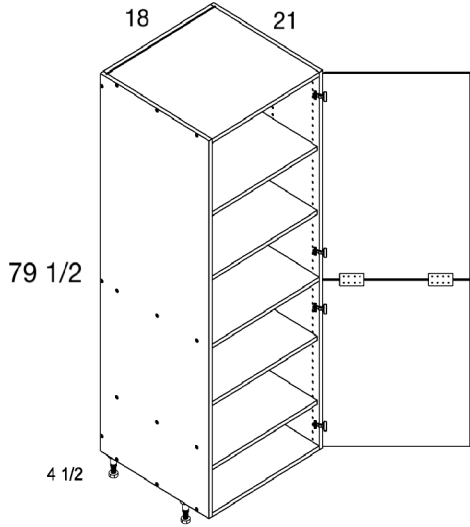
Specialty Vanity - Vanity Knee Drawers



MODEL	COMPONENT	QTY	WIDTH	HEIGHT	DEPTH
VKD27	WG-VKD27	1	27	7½	21
	DR2707	1	26⅞	7⅞	¾
	AMKV27-450	1	25⅞	5	18⅝
VKD30	WG-VKD30	1	30	7½	21
	DR3007	1	29⅞	7⅞	¾
	AMKV30-450	1	28⅞	5	18⅝
VKD36	WG-VKD36	1	36	7½	21
	DR3607	1	35⅞	7⅞	¾
	AMKV36-450	1	34⅞	5	18⅝

PRODUCT SPECIFICATIONS

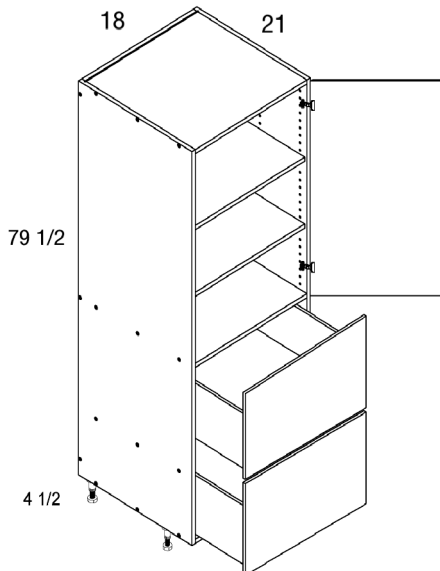
Tall Two Door Vanity Utility Cabinets



MODEL	COMPONENT	QTY	WIDTH	HEIGHT	DEPTH
VT1884	X-VT1884	1	18	79½	21
	D1830	1	17⅞	30⅞	¾
	D1849	1	17⅞	49	¾
	WG-AS1821	2	16½	¾	19

51

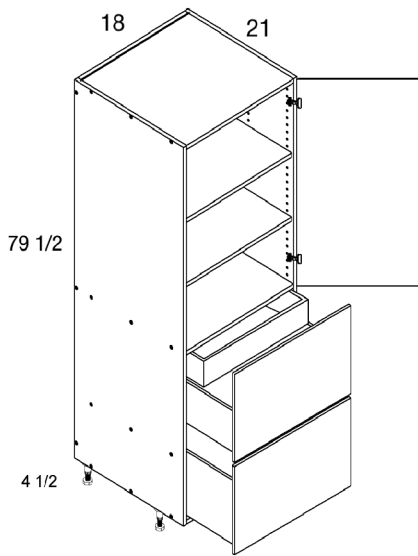
Tall One Door Two Drawer Vanity Utility Cabinets



MODEL	COMPONENT	QTY	WIDTH	HEIGHT	DEPTH
VT2DB1884	X-VT1884	1	18	79½	21
	2DR18	1	17⅞	15	¾
	D1849	1	17⅞	49	¾
	WG-AS1821	1	16½	¾	19
	AMC18-450	2	16⅞	6¾	18⅝

PRODUCT SPECIFICATIONS

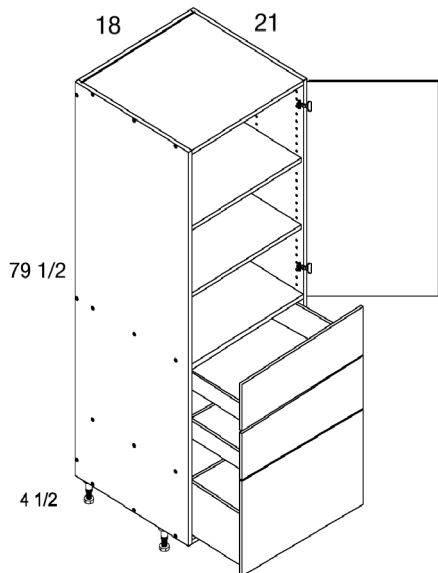
Tall One Door Two Drawer with One Inner Drawer Vanity Utility Cabinets



MODEL	COMPONENT	QTY	WIDTH	HEIGHT	DEPTH
VT2DBID1884	X-VT1884	1	18	79½	21
	2DR18	1	17⅞	15	¾
	D1849	1	17⅞	49	¾
	WG-AS1821	1	16½	¾	19
	AMK18-450	1	16⅞	5	18⅝
	AMK18ID-450	1	16⅞	5	18⅝
	AMC18-450	1	16⅞	6¾	18⅝

52

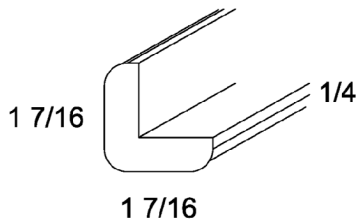
Tall One Door Three Drawer Vanity Utility Cabinet



MODEL	COMPONENT	QTY	WIDTH	HEIGHT	DEPTH
VT3DB1884	X-VT1884	1	18	79½	21
	3DR18	1	17⅞	7⅜	¾
			17⅞	15	¾
	D1849	1	17⅞	49	¾
	WG-AS1821	1	16½	¾	19
	AMK18-450	2	16⅞	5	18⅝
AMC18-450	1	16⅞	6¾	18⅝	

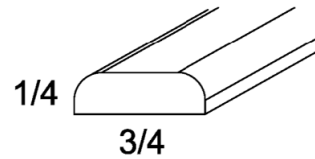
PRODUCT SPECIFICATIONS

Outside Corner Moulding



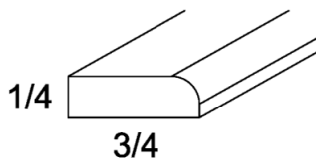
MODEL	WIDTH	HEIGHT	DEPTH
OCM	96	1 ⁷ / ₁₆	1 ¹ / ₁₆

Batten Moulding



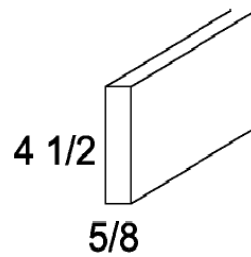
MODEL	WIDTH	HEIGHT	DEPTH
BAM	96	1/4	3/4

Scribe Moulding



MODEL	WIDTH	HEIGHT	DEPTH
SM8	96	1/4	3/4

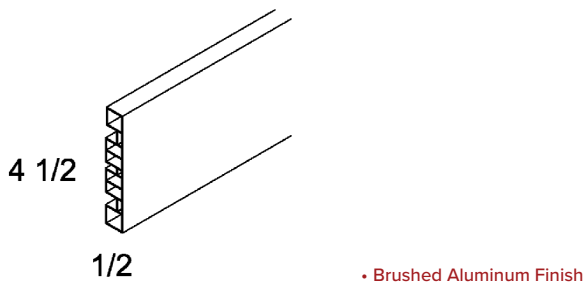
Toe Kick Cover



- Edgebanded on all four edges
- Matching Laminate Face

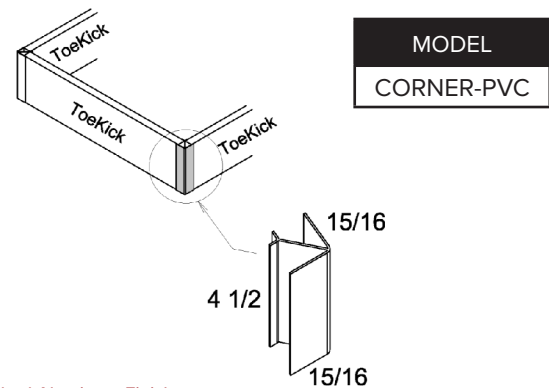
MODEL	WIDTH	HEIGHT	DEPTH
TKC	96	4 ¹ / ₂	5/8

Brushed Aluminum PVC Toe Kick Cover



MODEL	WIDTH	HEIGHT	DEPTH
TKC	96	4 ¹ / ₂	1/2

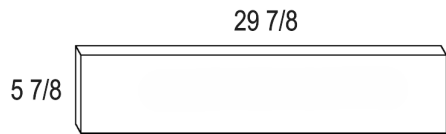
PVC Toe Kick Corner Connector



MODEL
CORNER-PVC

PRODUCT SPECIFICATIONS

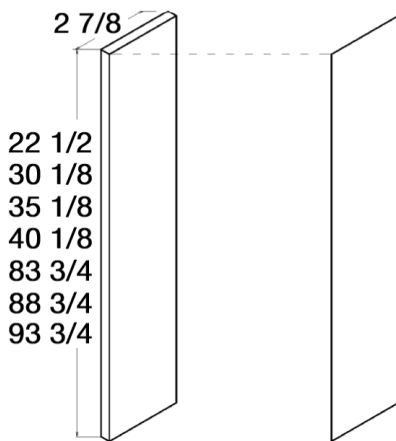
Fillers - Appliance Filler (Three Pack)



• Edgebanded on all four edges

MODEL	WIDTH	HEIGHT	DEPTH
AF3006	29 7/8	5 7/8	3/4

Fillers - 3" Filler Overlays

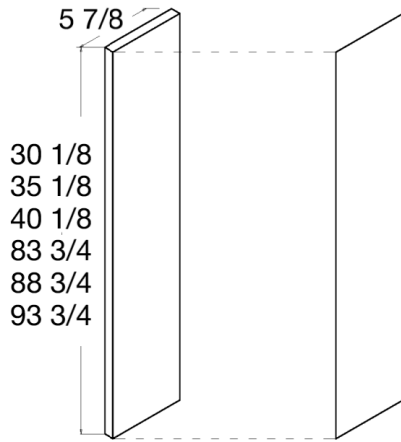


MODEL	COMPONENT	QTY	WIDTH	HEIGHT	DEPTH
OF323	FOL323	1	2 7/8	22 1/2	3/4
	WG-F323	1	2 7/8	22 1/2	3/4
OF330	FOL330	1	2 7/8	30 1/8	3/4
	WG-F330	1	2 7/8	30 1/8	3/4
OF335	FOL335	1	2 7/8	35 1/8	3/4
	WG-F335	1	2 7/8	35 1/8	3/4
OF340	FOL340	1	2 7/8	40 1/8	3/4
	WG-F340	1	2 7/8	40 1/8	3/4
OF384	FOL384	1	2 7/8	83 3/4	3/4
	WG-F384	1	2 7/8	83 3/4	3/4
OF389	FOL389	1	2 7/8	88 3/4	3/4
	WG-F389	1	2 7/8	88 3/4	3/4
OF394	FOL394	1	2 7/8	93 3/4	3/4
	WG-F394	1	2 7/8	93 3/4	3/4

• Edgebanded on all four edges

PRODUCT SPECIFICATIONS

Fillers - 6" Filler Overlays

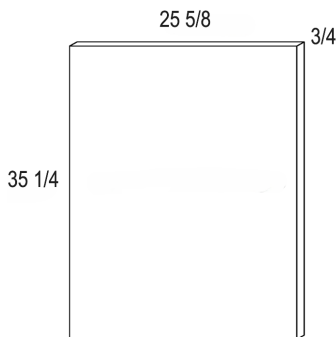


MODEL	COMPONENT	QTY	WIDTH	HEIGHT	DEPTH
OF630	FOL630	1	5 ⁷ / ₈	30 ¹ / ₈	³ / ₄
	WG-F630	1	5 ⁷ / ₈	30 ¹ / ₈	³ / ₄
OF635	FOL635	1	5 ⁷ / ₈	35 ¹ / ₈	³ / ₄
	WG-F635	1	5 ⁷ / ₈	35 ¹ / ₈	³ / ₄
OF640	FOL640	1	5 ⁷ / ₈	40 ¹ / ₈	³ / ₄
	WG-F640	1	5 ⁷ / ₈	40 ¹ / ₈	³ / ₄
OF684	FOL684	1	5 ⁷ / ₈	83 ³ / ₄	³ / ₄
	WG-F684	1	5 ⁷ / ₈	83 ³ / ₄	³ / ₄
OF689	FOL689	1	5 ⁷ / ₈	88 ³ / ₄	³ / ₄
	WG-F689	1	5 ⁷ / ₈	88 ³ / ₄	³ / ₄
OF694	FOL694	1	5 ⁷ / ₈	93 ³ / ₄	³ / ₄
	WG-F694	1	5 ⁷ / ₈	93 ³ / ₄	³ / ₄

• Edgebanded on all four edges

55

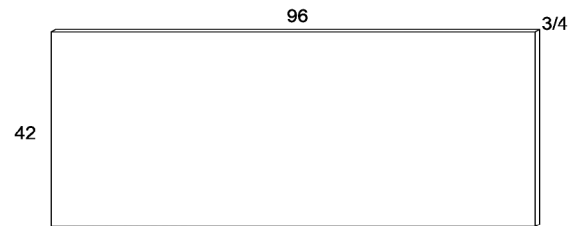
Panels - Base End Panel



• Edgebanded on all four edges

MODEL	WIDTH	HEIGHT	DEPTH
BEP2535	25 ⁵ / ₈	35 ¹ / ₄	³ / ₄

Panels - Long End Panel

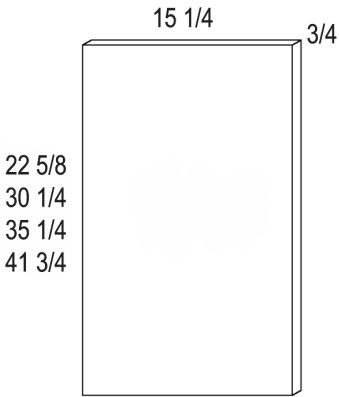


• Edgebanded on all four edges

MODEL	WIDTH	HEIGHT	DEPTH
BP9642	96	42	³ / ₄

PRODUCT SPECIFICATIONS

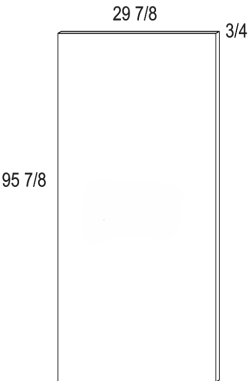
Panels - Wall End Panel



MODEL	WIDTH	HEIGHT	DEPTH
WEP1523	15¼	22 ⁵ / ₈	¾
WEP1530	15¼	30¼	¾
WEP1535	15¼	35¼	¾
WEP1542	15¼	41¼	¾

• Edgebanded on all four edges

Panels - Tall End Panel

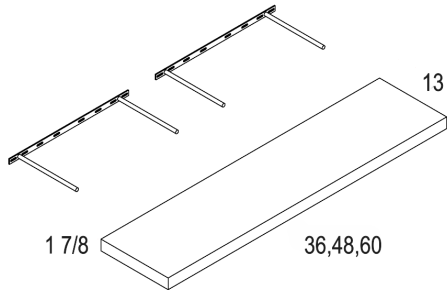


• Edgebanded on all four edges

MODEL	WIDTH	HEIGHT	DEPTH
TEP3096	29 ⁷ / ₈	96	¾

PRODUCT SPECIFICATIONS

Accessories - Floating Shelves



MODEL	WIDTH	HEIGHT	DEPTH
FS36	36	1 7/8	13
FS48	48	1 7/8	13
FS60	60	1 7/8	13

- 36" W floating shelf only has one mounting bracket
- Recommended Max Weight: 25 lbs

57

10' Edge Banding Roll

